

TAP 114 series

Filler plug and polyamide air filter up to 1600 l/min



TAP 114 GENERAL INFORMATION

Technical data

Air breathers & Filler plugs

Filler plug and polyamide air filters Flow rates up to 1600 l/min

TAP114 is a range of plastic large air breathers and filler caps for protection of the tank against the solid contamination contained into the air and filling of the fluid into the systems during the commissioning and maintenance procedures.
They are directly fitted on the tank.

Available features:

- Flanged connection, for a maximum flow rate of 1600 l/min
- Replaceable filter element
- Fine cellulose filtration, to get a good cleanliness level into the reservoir
- Polyester media is an option for heavy environmental conditions (high humidity, sand ...)
- Filling basket, to hold the coarse contamination contained into the fluid and to diffuse the fluid flow into the tank
- Anti-splash, to avoid fluid coming out through the air breather due to sloshing

Common applications:

- Hydraulic systems
- Mobile machines
- Industrial equipment

Flow rate Δp 0.02 bar

	Length	Flow rate [l/min]	
		standard	with anti-splash
TAP114	1	1450	480
TAP114	3	1600	530

Materials

- Cover: Polyamide
- Filter element: Resin impregnated paper
- Flange: Polyamide
- Seals: NBR
- Screws: Galvanized steel
- Basket: Polyamide

Temperature

From -25 °C to +100 °C

Weight

TAP 114 length 1 0.185 kg
TAP 114 length 3 0.200 kg



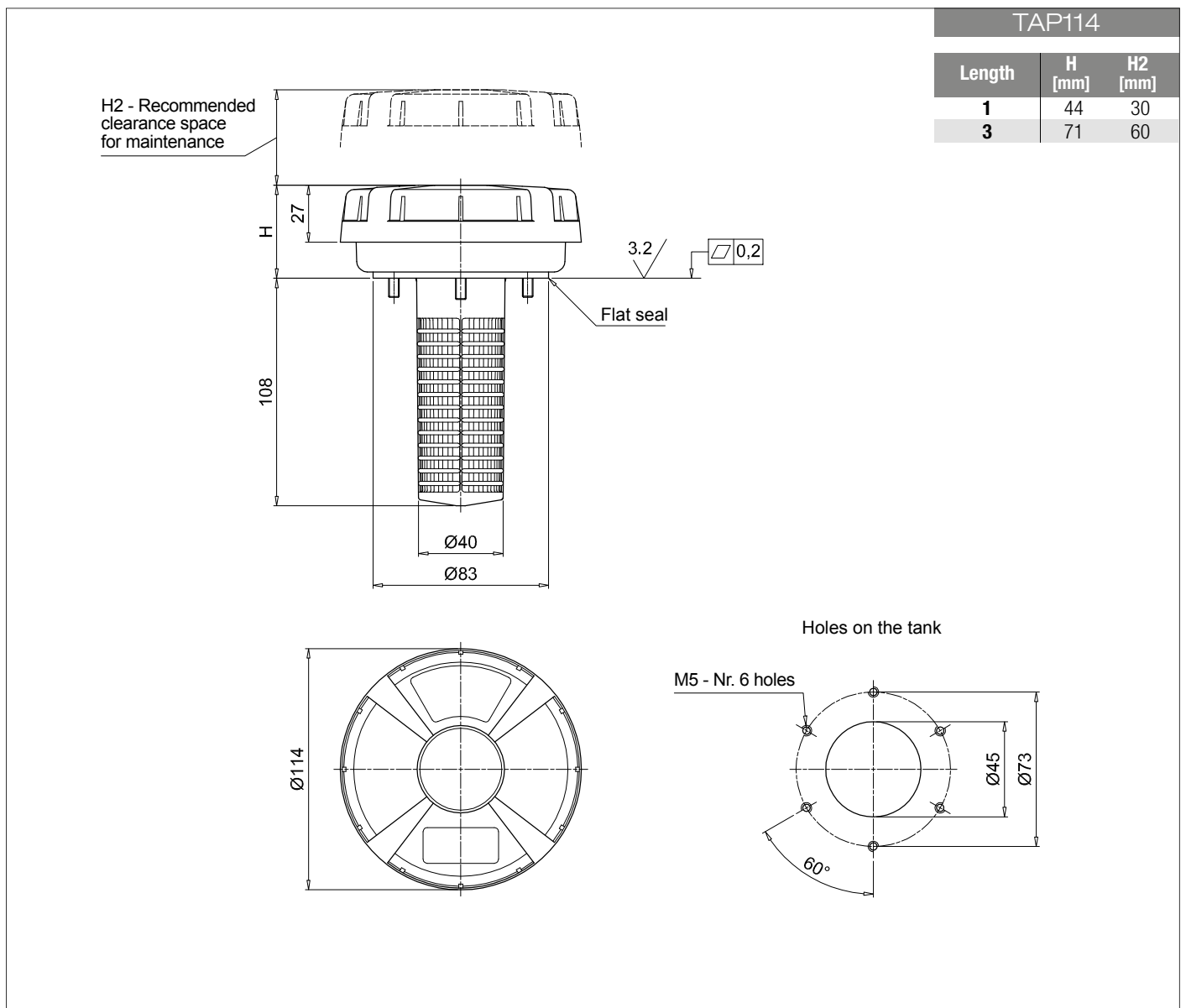
Designation & Ordering code

COMPLETE FILLER PLUG / COMPLETE AIR FILTER

Series TAP114	Configuration example: TAP114					
Length 1 3	1	L10	A	3	P01	
Filtration rating L10 Resin impregnated paper 10 µm						
Seals A NBR						
Version 1 With basket 3 With basket + anti-splash feature						
						Execution P01 MP Filtri standard Pxx Customized

FILTER ELEMENT

Filter element series A114	Configuration example: A114			
Length 1 3	1	L10	P01	
Filtration rating L10 Resin impregnated paper 10 µm				
				Execution P01 MP Filtri standard Pxx Customized



Version with anti-splash feature

