

LCP - LCC series

Visual oil level indicator - round shape



LCP GENERAL INFORMATION

Technical data

Visual Oil Level Indicators

Visual oil level indicator - round shape

LCP is a range of plastic compact fluid level indicators, usually called spy eyes, for monitoring of the fluid level into the tank. They are directly fitted on the tank side.

Housings made of polyamide or steel can be selected, to meet every condition.

Available features:

- Male threaded connections up to G 2"
- Contrast baffle, to allow an easy monitoring of the level
- Special fixing kit, for reliable sealing even in tanks with thin walls

Common applications:

- Hydraulic systems
- Mobile machines
- Industrial equipment

T Series

Weight

LCPG13	1 g
LCPG16	2 g
LCPG20	4 g
LCPG26	8 g
LCPG33	10 g
LCPG42	12 g

Materials

- Body: Polyamide
- Contrast baffle : Polyamide
- Seals: NBR

M Series

Weight

LCPG20	6 g
LCPG26	9 g
LCPG33	13 g

Materials

- Body: Aluminium
- Lens: Thermoplastic
- Contrast baffle : Polyamide
- Seals: Inorganic fibre

N Series

Weight

LCPG13	2 g
LCPG16	4 g
LCPG20	7 g
LCPG26	9 g
LCPG30	12 g
LCPG33	18 g
LCPG42	25 g
LCPG48	48 g
LCPG60	59 g

Materials

- Body: Polyamide
- Lens: Thermoplastic
- Contrast baffle : Polyamide
- Seals: Inorganic fibre, NBR
- Special fixing kit: Brass, NBR

Temperature

From -20 °C to + 80 °C

Quantity

25 pcs/pack

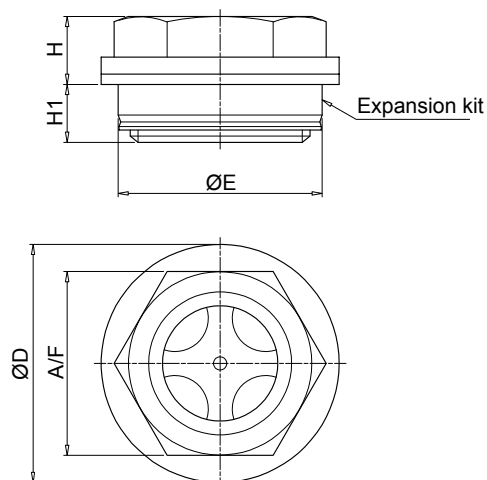
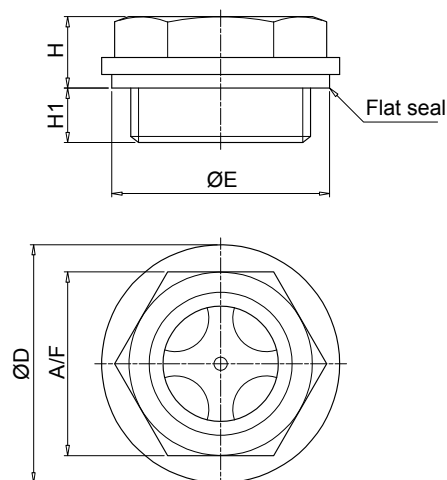


Designation & Ordering code

COMPLETE VISUAL OIL LEVEL INDICATOR

Series	Configuration example 1 :										Configuration example 2 :				Configuration example 3 :					
LCP	LCP	G26	N	S	B	S	P01	LCP	G42	T	S	A	P01	LCP	G20	M	C	A	P01	
Connections	Material:	N	T	M																
G13 G 1/4"		•	•	-																
G16 G 3/8"		•	•	-																
G20 G 1/2"		•	•	•																
G26 G 3/4"		•	•	•																
G33 G 1"		•	•	•																
G42 G 1 1/4"		•	•	-																
G48 G 1 1/2"		•	-	-																
G60 G 2"		•	-	-																
Material	N Black Polyamide	T Transparent polyamide	M Aluminium																	
Contrast baffle	Material:	N								T				M						
S Without contrast baffle	Connection:	G13	G16	G20	G26	G33	G42	G48	G60	G13	G16	G20	G26	G33	G42	-				
C With contrast baffle		-	•	•	•	•	•	•	•	-	-	-	-	•	•	•				
Seals	Material:	N				T				M										
A NBR	Expansion kit:		S	K						•						•				
B Inorganic fiber		•	-							-	-	-	-	-	-	-				
Special fixing kit	Material:	N								T				M						
S Without special fixing kit	Connection:	G13	G16	G20	G26	G33	G42	G48	G60							-				
K With special fixing kit		-	-	•	•	•	•	•	-	-	-	-	-	-	-	-				
Execution																				
P01 MP Filtri standard																				
Pxx Customized																				

LCP - N



without expansion kit

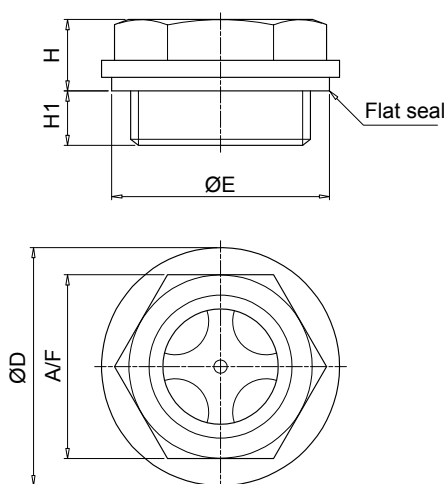
Connections	ØD [mm]	ØE [mm]	A/F [mm]	H [mm]	H1 [mm]
G13	20	18.5	17	9	7
G16	22	21.5	18	10	7
G20	28	26	22	10	7
G26	35	32	27	10.5	8
G33	42	41	34	13.5	10.5
G42	52	51	42	14	11
G48	58	53.5	47	16	11
G60	74	72	64	16	18

with expansion kit

Connections	ØD [mm]	ØE [mm]	A/F [mm]	H [mm]	H1 [mm]
G20	28	26	22	9	8
G26	35	30	27	10	8.5
G33	42	40	34	13	11
G42	52	50	42	13.5	11.5
G48	58	55	47	15.5	11.5

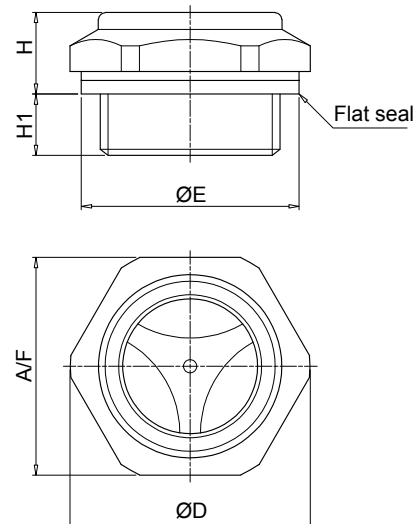
Note: for installation onto OB Cleaning covers see page 147

LCP - T



Connections	ØD [mm]	ØE [mm]	A/F [mm]	H [mm]	H1 [mm]
G13	20	18.5	15	6.5	5
G16	22	21.5	17	7	5.5
G20	28	26	21	8	6
G26	33	32	26	8.5	7
G33	41	41	32	9	8
G42	52	51	42	14	11

LCP - M



Connections	ØD [mm]	ØE [mm]	A/F [mm]	H [mm]	H1 [mm]
G20	29.5	26	27	11	7
G26	35.5	32	32	12	9
G33	44.5	41	40	13	8

Note: for installation onto OB Cleaning covers see page 147

Technical data

Visual Oil Level Indicators

Visual oil level indicator - round shape

LCC is a range of plastic compact fluid level indicators, usually called spy eyes, for monitoring of the fluid level into the tank. They are directly fitted on the tank side.

The special shape of the screen allows the monitoring of the fluid level from every position.

Available features:

- Male threaded connections up to G 2"
- Expansion kit, for reliable sealing even in tanks with thin walls

Common applications:

- Hydraulic systems
- Mobile machines
- Industrial equipment

N Series

Weight

LCCG26	7 g
LCCG42	20 g
LCCG60	40 g

Materials

- Body: Polyamide
- Lens: Polyamide
- Contrast screen: Polyamide
- Seals: Inorganic fibre, NBR
- Expansion kit: Brass / NBR

T Series

Weight

LCCG16	2 g
LCCG20	4 g
LCCG33	9 g

Materials

- Body: Polyamide
- Seals: NBR

Temperature

From -20 °C to + 80 °C

Quantity

25 pcs/pack



Designation & Ordering code

COMPLETE VISUAL OIL LEVEL INDICATORS

Series	Configuration example 1 :					
LCC	LCC	G20	N	A	K	P01
	Configuration example 2 :					
	LCC	G33	T	A		P01

Connections	Material:	N	T
G13 G 1/4"		-	-
G16 G 3/8"		-	-
G20 G 1/2"		•	•
G26 G 3/4"		•	•
G33 G 1"		•	•
G42 G 1 1/4"		•	-
G48 G 1 1/2"		•	-
G60 G 2"		•	-

Material	N	T
N Black polyamide		
T Transparent polyamide		

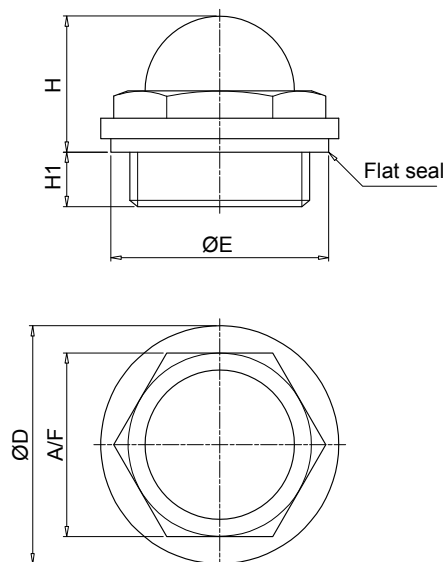
Seals	Material:	N			T
Expansion kit:		S	K		
A NBR		-	•		•
B Inorganic fiber		•	-		-

Expansion kit	Material:	N						T
Connection:		G20	G26	G33	G42	G48	G60	
S Without expansion kit		•	•	•	•	•	•	-
K With expansion kit		•	•	•	•	•	-	-

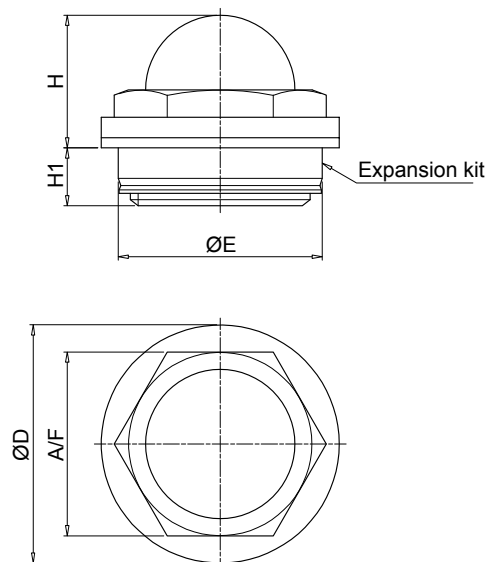
Execution	P01	Pxx
MP Filtri standard		
Customized		

LCC - N

without expansion kit



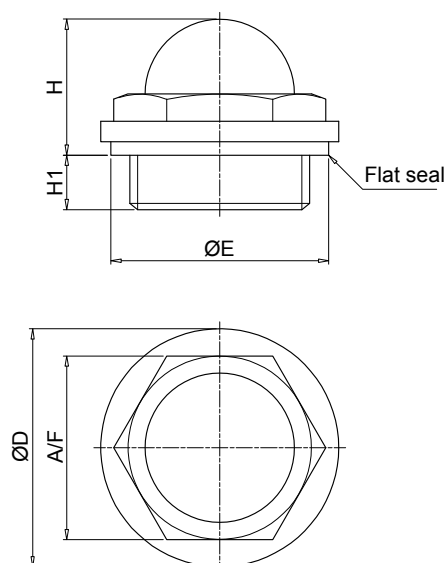
with expansion kit



Connections	ØD [mm]	ØE [mm]	A/F [mm]	H [mm]	H1 [mm]
G20	28	26	22	17.5	17.5
G26	35	32	27	20	8
G33	42	41	34	24	10
G42	52	51	44	30	11
G48	58	53.5	50	33	11.5
G60	74	72	64	39	18

Connections	ØD [mm]	ØE [mm]	A/F [mm]	H [mm]	H1 [mm]
G20	28	26	22	16.5	8.5
G26	35	30	27	19.5	8.5
G33	42	40	34	23.5	10.5
G42	52	50	44	29.5	11.5
G48	58	55	50	32.5	12

LCC - T



Connections	ØD [mm]	ØE [mm]	A/F [mm]	H [mm]	H1 [mm]
G13	19	18.5	15	12.5	5
G16	21.5	21.5	17	14	5.5
G20	27	26	21	16.5	6
G26	33	32	26	19	7
G33	40	41	32	22.5	8