

TC 50 series

Polyamide filler plug



TC 50 GENERAL INFORMATION

Technical data

Filler and Drain Plugs

Polyamide filler plug

TC50 is a range of plastic compact air breathers and filler plugs for protection of the tank against the solid contamination contained into the air and filling of the fluid into the systems during the commissioning and maintenance procedures.

They are directly fitted on the tank.

Available features:

- G 1" male threaded connection, with or without nut
- Metal filtration, to hold the coarse contamination contained into the air
- Filling basket, to hold the coarse contamination contained into the fluid and to diffuse the fluid flow into the tank
- Caps with different graphics and colours, for the use in several applications

Common applications:

- Hydraulic systems
- Mobile machines
- Industrial equipment

Materials

- Cover: Polyamide
- Filter element: Galvanized steel
- Filler cap: Polyamide
- Strainer: Galvanized steel / Polyamide
AISI 304 / Polyamide
- Collar: Polyamide
- Seals: Inorganic fibre
- Ringnut: Phosphatized steel

Temperature

From -25 °C to +100 °C

Weight

TC 50 G1" conn. 0.70 kg

TC 50 with ringnut 0.10 kg

Quantity

25 pcs/pack



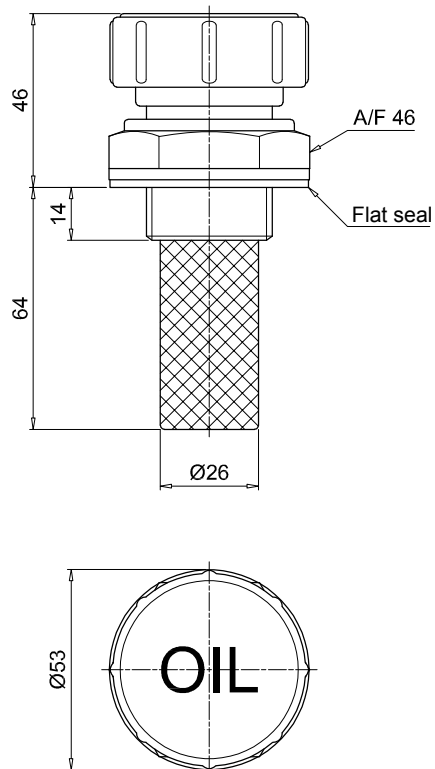
Designation & Ordering code

COMPLETE FILLER PLUG

| Series | Configuration example : TC50 G1 L90 P R O C70 P01 | | | | | | | | |
|---|---|--|--|--|--|--|--|--|--|
| TC50 | | | | | | | | | |
| Connections | | | | | | | | | |
| G1 G 1" | | | | | | | | | |
| GA With ringnut | | | | | | | | | |
| Filtration rating | | | | | | | | | |
| L90 Galvanized steel | | | | | | | | | |
| Seals | | | | | | | | | |
| P Inorganic fiber | | | | | | | | | |
| Cover colour | | | | | | | | | |
| R Red | | | | | | | | | |
| Y Yellow | | | | | | | | | |
| Cover wording | | | | | | | | | |
| O Oil | | | | | | | | | |
| N Neutral | | | | | | | | | |
| Basket | | | | | | | | | |
| S Without basket | | | | | | | | | |
| C70 With basket 70 mm - galvanized steel | | | | | | | | | |
| I70 With basket 70 mm - AISI 304 | | | | | | | | | |
| Execution | | | | | | | | | |
| P01 MP Filtri standard | | | | | | | | | |
| Pxx Customized | | | | | | | | | |

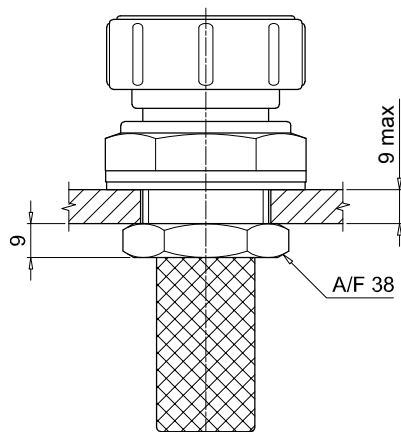
TC50

Threaded connection



TC50

With ringnut



Through hole on the tank

