

**HYDRAULIC
FILTRATION**

CATALOGUE



MPFILTRI®

PASSION TO PERFORM



A WORLDWIDE LEADER IN THE FIELD
OF HYDRAULIC FILTRATION EQUIPMENT.

Our company started life in 1964, when Bruno Pasotto decided to attempt to cater for the requests of a market still to be fully explored, with the study, design, development, production and marketing of a vast range of filters for hydraulic equipment, capable of satisfying the needs of manufacturers in all sectors. The quality of our products, our extreme competitiveness compared with major international producers and our constant activities of research, design and development has made us a worldwide leader in the field of hydraulic circuit filtering. Present for over 50 years in the market, we have played a truly decisive role in defining our sector, and by now we are a group capable of controlling our entire chain of production, monitoring all manufacturing processes to guarantee superior quality standards and to provide concrete solutions for the rapidly evolving needs of customers and the market.

HYDRAULIC FILTRATION PRODUCTS

1	page	INTRODUCTION
2		INDEX
4		COMPANY PROFILE
8		PRODUCT RANGE
11		CONTAMINATION MANAGEMENT
21		FILTER SIZING

30	page	SUCTION FILTERS			up to Q_{max}
33	STRC & MPAC	Submerged suction filter, with bypass or magnetic filter			1000 264
41	SFEX	In-line filter with plastic bowl			100 26
51	SFMC	Semi-submerged positive head suction filter, low flow rate			160 42
61	SFSC	Semi-submerged positive head suction filter, high flow rate			700 185
719		CLOGGING INDICATORS			

72	page	RETURN FILTERS			up to P_{max}	up to Q_{max}
75	RFX	Return filter, tank mounted filter suitable for all mineral oil and water glycol applications	bar	psi	l/min	gpm
85	MPFX	Tank top semi-immersed filter, standard filter element disassembly	8	116	900	238
113	MPLX	Tank top semi-immersed filter, standard filter element disassembly	10	145	1800	476
121	MPTX	Tank top semi-immersed filter, easy filter element disassembly	8	116	300	79
139	MFBX	Bowl assembly	8	116	700	185
147	MPF	Tank top semi-immersed filter, standard filter element disassembly	8	116	900	238
175	MPT	Tank top semi-immersed filter, easy filter element disassembly	8	116	300	79
193	MFB	Bowl assembly	8	116	700	185
201	MDH	Heavy industrial applications integrated in the tank - air separation	10	145	500	132
209	MPH	Tank top semi-immersed filter, standard filter element disassembly	10	145	3500	925
233	MPI	Tank top semi-immersed filter, standard filter element disassembly	10	145	3500	925
245	FRI	Tank top semi-immersed filter, easy filter element disassembly, it can be used also as in-line filter	20	290	2500	660
261	RF2	Semi-immersed under-head filter, easy filter element disassembly	20	290	615	162
268		ACCESSORIES				
720		CLOGGING INDICATORS				

270	page	RETURN / SUCTION FILTERS			up to P_{max}	up to Q_{max}
273	MRSX	Unique TANK TOP filter for mobile machinery, with combined filtration on return and suction to the inlet at the hydrostatic transmissions in closed circuit	bar	psi	l/min	gpm
287	LMP 124 MULTIPORT	Unique IN-LINE filter for mobile machinery, with combined filtration on return and suction to the inlet at the hydrostatic transmissions in closed circuit	80	1160	120	32
722		CLOGGING INDICATORS				

294	page	SPIN-ON FILTERS			up to P_{max}	up to Q_{max}
297	MPS	Low pressure filter, available with single cartridge (CS) for in-line or flange mounting or with two cartridge on the same axis on the opposite sides	bar	psi	l/min	gpm
313	MSH	In-line low and medium pressure filter available with single cartridge (CH)	35	508	195	52
724		CLOGGING INDICATORS				

320 page	LOW & MEDIUM PRESSURE FILTERS	up to P _{max}		up to Q _{max}		
		bar	psi	l/min	gpm	
323	LFEX	In-line filter with plastic bowl	16	232	300	79
333	LPH 630	Off-line low pressure filter	10	145	1600	352
341	LMP 110	In-line low & medium pressure filter, low to medium flow rate	80	1160	165	44
349	LMP 112 - 123 MULTIPOINT	In-line filter with Multiport design for multiple choice connection	80	1160	175	46
365	LMP 210 - 211	In-line low & medium pressure filter, low flow rate	60	870	365	96
375	LMP 400 - 401	In-line low & medium pressure filter, high flow rate	60	870	780	206
383	LMP 430 - 431	In-line low & medium pressure filter, high flow rate	60	870	780	206
393	LMP 950 - 951	In-line filter, available with 2 and up to 6 different heads	30	435	2400	634
399	LMP 952 - 953 - 954	In-line low pressure filter specifically designed to be mounted in series	25	363	4500	1189
411	LMD 211	In-line duplex medium pressure filter	60	870	200	53
419	LMD 400 - 401 & 431	In-line duplex low pressure filter	16	232	600	159
435	LMD 951	In-line duplex filter, available with 2 up to 6 different heads	16	232	1200	317
443	Filters featuring filter elements designed according to DIN24550					
445	LDP - LDD	In-line and duplex medium pressure filter	60	870	360	95
455	LMP 900 - 901	In-line low pressure filter	30	435	2000	528
463	LMP 902 - 903	In-line filter specifically designed to be mounted in series	20	290	3000	793
472	ACCESSORIES					
726	CLOGGING INDICATORS					

474 page	HIGH PRESSURE FILTERS	up to P _{max}		up to Q _{max}		
		bar	psi	l/min	gpm	
477	FMMX	Typical high pressure filter for mobile applications, low flow rate	420	6092	300	79
487	FMM	Typical high pressure filter for mobile applications, low flow rate	420	6092	300	79
497	FHA	Filter optimized for use in high pressure operating systems, low flow rate	560	8122	150	40
505	FMP 039	Filter high pressure, low flow rate applications	110	1595	80	21
513	FMP	Filter high pressure, high flow rate applications	320	4641	500	132
525	FHP	Typical high pressure filter for mobile applications, high flow rate	420	6092	630	166
545	FHM	High pressure filter with intermediate manifold construction	320	4641	400	106
563	FHB	High pressure for block mounting	320	4641	485	128
577	FHF	In-line manifold top mounting according to SAE J2066	350	5076	550	145
587	FHD	In-line duplex high pressure filter	350	5076	250	66
601	HPB	Pressure filter kits for integration in control manifolds	420	6092	300	79
727	CLOGGING INDICATORS					

610 page	STAINLESS STEEL HIGH PRESSURE FILTERS	up to P _{max}		up to Q _{max}		
		bar	psi	l/min	gpm	
613	FZP	In-line pressure filter with threaded mount	420	6092	160	42
623	FZH	In-line pressure filter with threaded mount for higher pressure	700	10153	80	21
633	FZX	In-line pressure filter with threaded mount up to 1000 bar	1000	14504	10	3
641	FZM	Manifold top mounting	320	4641	70	18
649	FZB	Manifold side mounting	320	4641	70	18
657	FZD	Duplex pressure filter for continuous operation requirements	350	5076	60	16
728	CLOGGING INDICATORS					

668 page	FILTERS FOR POTENTIALLY EXPLOSIVE ATMOSPHERE	up to P _{max}		up to Q _{max}		
		bar	psi	l/min	gpm	
671	FMMX	Typical high pressure filter for mobile applications, low flow rate	420	6092	300	79
681	FZP	In-line pressure filter with threaded mount	420	6092	160	42
691	FZH	In-line pressure filter with threaded mount for higher pressure	700	10153	80	21
701	FZX	In-line pressure filter with threaded mount up to 1000 bar	1000	14504	10	3
729	CLOGGING INDICATORS					

709 page	CLOGGING INDICATORS
714	QUICK REFERENCE GUIDE
718	DESIGNATION AND ORDERING CODES
730	TECHNICAL DATA

Our work is based on a skillful interaction between advanced technology and fine workmanship, **customizing products according to specific market requests**, focusing strongly on innovation and quality, and following every step in the manufacturing of both standard and special products, fully respecting customer expectations.

MARKET
LEADER



Our customer-oriented philosophy, which enables us to satisfy all customer requests **rapidly** and **with personalized products**, makes us a **dynamic and flexible enterprise**.

The possibility of constantly controlling and monitoring the entire production process is essential to allow us to guarantee the quality of our products.

WORLDWIDE PRESENCE



Scan or click me!

Our foreign Branches enable us to offer a diversified range of products that allow us to successfully face the aggressive challenge of international competition, and also to maintain a stable presence at a local level.

The Group boasts **9** business branches



TECHNOLOGY

Our constant **quest for excellence in quality and technological innovation** allows us to offer only the best solutions and services for applications in many fields, including general industry, test rigs, lubrication, heavy engineering, renewable energies, naval engineering, offshore engineering, aviation systems, emerging technologies and mobile plant (i.e. tractors, excavators, concrete pumps, platforms).



AND PRODUCTION

Our high level of technological expertise means **we can rely entirely on our own resources, without resorting to external providers.** This in turn enables us to satisfy a growing number of customer requests, also exploiting our constantly updated range of machines and equipment, featuring **fully-automated workstations** capable of **24-hour production.**





SUCTION FILTERS

- Mounting:
- Tank immersed
 - In-Line
 - In tank with shut off valve
 - In tank with flooded suction



RETURN FILTERS

- Mounting:
- In-Line
 - Tank top
 - In single and duplex designs



RETURN / SUCTION FILTERS

- Mounting:
- In-Line
 - Tank top



SPIN-ON FILTERS

- Mounting:
- In-Line
 - Tank top



LOW & MEDIUM PRESSURE FILTERS

- Mounting:
- In-Line
 - Parallel manifold version
 - In single and duplex designs



HIGH PRESSURE FILTERS

- Mounting:
- In-Line
 - Manifold
 - In single and duplex designs

PRODUCT RANGE

MP Filtri can offer a vast and articulated range of products for the global market, suitable for all industrial sectors using hydraulic equipment.

This includes filters (suction, return, return/suction, spin-on, pressure, stainless steel pressure, ATEX filters) and structural components (motor/pump bell-housings, transmission couplings, damping rings, foot brackets, aluminium tanks, cleaning covers).

We can provide all the skills and solutions required by the modern hydraulics industry to monitor contamination levels and other fluid conditions.

Mobile filtration units and a full range of accessories allow us to supply everything necessary for a complete service in the hydraulic circuits.



STAINLESS STEEL HIGH PRESSURE FILTERS

- Mounting:
- In-Line
 - Manifold
 - In single and duplex designs

FILTERS FOR POTENTIALLY EXPLOSIVE ATMOSPHERE

- Mounting:
- In-Line

CONTAMINATION CONTROL SOLUTIONS

- Off-line, in-line particle analyser
- Off-line bottle sampling products
- Fully calibrated using relevant ISO standards
- A wide range of variants to support fluid types and communication protocols
- Mobile Filtration Units with flow rates from 15 l/min up to 200 l/min

POWER TRANSMISSION PRODUCTS

- Aluminium bell-housings for motors from 0.12 kW to 400 kW
- Couplings in Aluminium Cast Iron - Steel
- Damping rings
- Foot bracket
- Aluminium tanks
- Cleaning covers

TANK ACCESSORIES

- Oil filler and air breather plugs
- Optical and electrical level gauges
- Pressure gauge valve selectors
- Pipe fixing brackets
- Pressure gauges



CONTAMINATION MANAGEMENT

INDEX

	Page
① HYDRAULIC FLUIDS	12
② FLUIDS CONTAMINATION	12
③ FLUIDS COMPATIBILITY CHART	12
④ EFFECTS OF CONTAMINATION ON HYDRAULIC COMPONENTS	13
⑤ MEASURING THE SOLID CONTAMINATION LEVEL	13
⑥ FILTRATION TECHNOLOGIES	16
⑦ RECOMMENDED CONTAMINATION CLASSES	17
⑧ TYPES OF FILTERS	17
⑨ FILTER SIZING PARAMETERS	18
⑩ APPLICABLE STANDARDS FOR FILTER DEVELOPMENT	18
⑪ WATER IN HYDRAULIC AND LUBRICATING FLUIDS	19
⑫ THE ANTI-STATIC FILTERS zerospark+	20

1 HYDRAULIC FLUIDS

The fluid is the vector that transmits power, energy within an oleodynamic circuit. In addition to transmitting energy through the circuit, it also performs additional functions such as lubrication, protection and cooling of the surfaces.

The classification of fluids used in hydraulic systems is coded in many regulatory references, different Standards.

The most important classification system for hydraulic fluids is the one defined by International Organization for Standardization (ISO), which established a classification system within their standard: "ISO 6743-4 Lubricants, Industrial Oils and Related Products". In particular, the parts of interest for hydraulic fluids are:

- Lubricants, industrial oils and related products (class L)
- Classifications - Part 4L - Family H (Hydraulic systems)

The ISO 6743-4 classification system can be generally applied to the three primary classes of hydraulic fluids:

- Mineral Oils (i.e.: petroleum) Hydraulic Fluids (i.e.: HH: Mineral lubricants without corrosion inhibitors; HL: HH-type lubricants with oxidation reduction and anticorrosive additives; HM: HL-type lubricants with anti-wear additives; HV: HM-type lubricants with a higher viscosity grade and temperature properties; and others).
- Biodegradable Hydraulic Fluids (HExx), also defined as "Environmentally acceptable hydraulic fluids".
- Fire Resistant Hydraulic Fluids (HFxx), which could be further split into: Fire-resistant aqueous fluids (HFAx, HFB; HFC) ; Fire-resistant synthetic anhydrous fluids (HFDx).

The choice of fluid for an hydraulic system must take into account several parameters.

These parameters can adversely affect the performance of an hydraulic system, causing delay in the controls, pump cavitation, excessive absorption, excessive temperature rise, efficiency reduction, increased drainage, wear, jam/block or air intake in the plant.

The main properties that characterize hydraulic fluids and affect their choice are:

- **DYNAMIC VISCOSITY**
It identifies the fluid's resistance to sliding due to the impact of the particles forming it.
- **KINEMATIC VISCOSITY**
It is a widespread formal dimension in the hydraulic field.
It is calculated with the ratio between the dynamic viscosity and the fluid density.
Kinematic viscosity varies with temperature and pressure variations.
- **VISCOSITY INDEX**
This value expresses the ability of a fluid to maintain viscosity when the temperature changes.
A high viscosity index indicates the fluid's ability to limit viscosity variations by varying the temperature.
- **FILTERABILITY INDEX**
It is the value that indicates the ability of a fluid to cross the filter materials.
A low filterability index could cause premature clogging of the filter material.
- **WORKING TEMPERATURE**
Working temperature affects the fundamental characteristics of the fluid.
As already seen, some fluid characteristics, such as cinematic viscosity, vary with the temperature variation.

When choosing a hydraulic oil, must therefore be taken into account of the environmental conditions in which the machine will operate.

- **COMPRESSIBILITY MODULE**
Every fluid subjected to a pressure contracts, increasing its density.
The compressibility module identifies the increase in pressure required to cause a corresponding increase in density.
- **HYDROLYTIC STABILITY**
It is the characteristic that prevents galvanic pairs that can cause wear in the plant/system.
- **ANTIOXIDANT STABILITY AND WEAR PROTECTION**
These features translate into the capacity of a hydraulic oil to avoid corrosion of metal elements inside the system.
- **HEAT TRANSFER CAPACITY**
It is the characteristic that indicates the capacity of hydraulic oil to exchange heat with the surfaces and then cool them.

2 FLUID CONTAMINATION

Whatever the nature and properties of fluids, they are inevitably subject to contamination. Fluid contamination can have two origins:

- **INITIAL CONTAMINATION**
Caused by the introduction of contaminated fluid into the circuit, or by incorrect storage, transport or transfer operations.
- **PROGRESSIVE CONTAMINATION**
Caused by factors related to the operation of the system, such as metal surface wear, sealing wear, oxidation or degradation of the fluid, the introduction of contaminants during maintenance, corrosion due to chemical or electrochemical action between fluid and components, cavitation.
The contamination of hydraulic systems can be of different nature:
- **SOLID CONTAMINATION**
For example rust, slag, metal particles, fibers, rubber particles, paint particles or additives
- **LIQUID CONTAMINATION**
For example, the presence of water due to condensation or external infiltration or acids
- **GASEOUS CONTAMINATION**
For example, the presence of air due to inadequate oil level in the tank, drainage in suction ducts, incorrect sizing of tubes or tanks.

3 FLUID COMPATIBILITY CHARTS

For more detailed information on specific fluid compatibility please refer to the fluid compatibility charts on our website:



Scan or click me!

4 EFFECTS OF CONTAMINATION ON HYDRAULIC COMPONENTS

Solid contamination is recognized as the main cause of malfunction, failure and early degradation in hydraulic systems. It is impossible to delete it completely, but it can be effectively controlled by appropriate devices.

CONTAMINATION IN PRESENCE OF LARGE TOLERANCES



CONTAMINATION IN PRESENCE OF NARROW TOLERANCES



Solid contamination mainly causes surface damage and component wear.

- ABRASION OF SURFACES
Cause of leakage through mechanical seals, reduction of system performance, failures.
- SURFACE EROSION
Cause of leakage through mechanical seals, reduction of system performance, variation in adjustment of control components, failures.
- ADHESION OF MOVING PARTS
Cause of failure due to lack of lubrication.
- DAMAGES DUE TO FATIGUE
Cause of breakdowns and components breakdown.

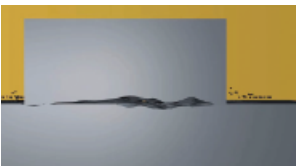
ABRASION



EROSION



ADHESION



FATIGUE



Liquid contamination mainly results in decay of lubrication performance and protection of fluid surfaces.

DISSOLVED WATER

- INCREASING FLUID ACIDITY
Cause of surface corrosion and premature fluid oxidation
- GALVANIC COUPLE AT HIGH TEMPERATURES
Cause of corrosion

FREE WATER - ADDITIONAL EFFECTS

- DECAY OF LUBRICANT PERFORMANCE
Cause of rust and sludge formation, metal corrosion and increased solid contamination
- BATTERY COLONY CREATION
Cause of worsening in the filterability feature

- ICE CREATION AT LOW TEMPERATURES
Cause damage to the surface
- ADDITIVE DEPLETION
Free water retains polar additives

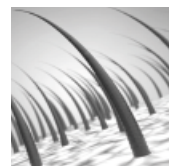
Gaseous contamination mainly results in decay of system performance.

- CUSHION SUSPENSION
Cause of increased noise and cavitation.
- FLUID OXIDATION
Cause of corrosion acceleration of metal parts.
- MODIFICATION OF FLUID PROPERTIES (COMPRESSIBILITY MODULE, DENSITY, VISCOSITY)
Cause of system's reduction of efficiency and of control. It is easy to understand how a system without proper contamination management is subject to higher costs than a system that is provided.
- MAINTENANCE
Increase maintenance activities, spare parts, machine stop costs.
- ENERGY AND EFFICIENCY
Efficiency and performance reduction due to friction, drainage, cavitation.

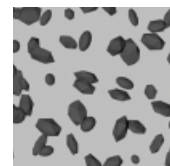
5 MEASURING THE SOLID CONTAMINATION LEVEL

The level of contamination of a system identifies the amount of contaminant contained in a fluid. This parameter refers to a unit volume of fluid. The level of contamination may be different at different points in the system. From the information in the previous paragraphs it is also apparent that the level of contamination is heavily influenced by the working conditions of the system, by its working years and by the environmental conditions.

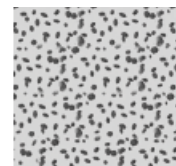
What is the size of the contaminating particles that we must handle in our hydraulic circuit?



HUMAN HAIR (75 µm)



MINIMUM DIMENSION VISIBLE WITH HUMAN EYES (40 µm)



TYPICAL CONTAMINANT DIMENSION IN A HYDRAULIC CIRCUIT (4 - 14 µm)

Contamination level analysis is significant only if performed with a uniform and repeatable method, conducted with standard test methods and suitably calibrated equipment. To this end, ISO has issued a set of standards that allow tests to be conducted and express the measured values in the following ways.

- GRAVIMETRIC LEVEL - ISO 4405

The level of contamination is defined by checking the weight of particles collected by a laboratory membrane. The membrane must be cleaned, dried and desiccated, with fluid and conditions defined by the Standard. The volume of fluid is filtered through the membrane by using a suitable suction system. The weight of the contaminant is determined by checking the weight of the membrane before and after the fluid filtration.



CLEAN MEMBRANE



CONTAMINATED MEMBRANE

CONTAMINATION MANAGEMENT

- CUMULATIVE DISTRIBUTION OF THE PARTICLES SIZE - ISO 4406

The level of contamination is defined by counting the number of particles of certain dimensions per unit of volume of fluid. Measurement is performed by Contamination Monitoring Products (CMP).

Following the count, the contamination classes are determined, corresponding to the number of particles detected in the unit of fluid.

The most common classification methods follow ISO 4406 and SAE AS 4059 (Aerospace Sector) regulations.

NAS 1638 is still used although obsolete.

Classification example according to ISO 4406

The International Standards Organization standard ISO 4406 is the preferred method of quoting the number of solid contaminant particles in a sample. The level of contamination is defined by counting the number of particles of certain dimensions per unit of volume of fluid. The measurement is performed by Contamination Monitoring Products (CMP).

The numbers represent a code which identifies the number of particles of certain sizes in 1ml of fluid. Each code number has a particular size range. The first scale number represents the number of particles equal to or larger than 4 $\mu\text{m}_{(c)}$ per millilitre of fluid; The second scale number represents the number of particles equal to or larger than 6 $\mu\text{m}_{(c)}$ per millilitre of fluid; The third scale number represents the number of particles equal to or larger than 14 $\mu\text{m}_{(c)}$ per millilitre of fluid.

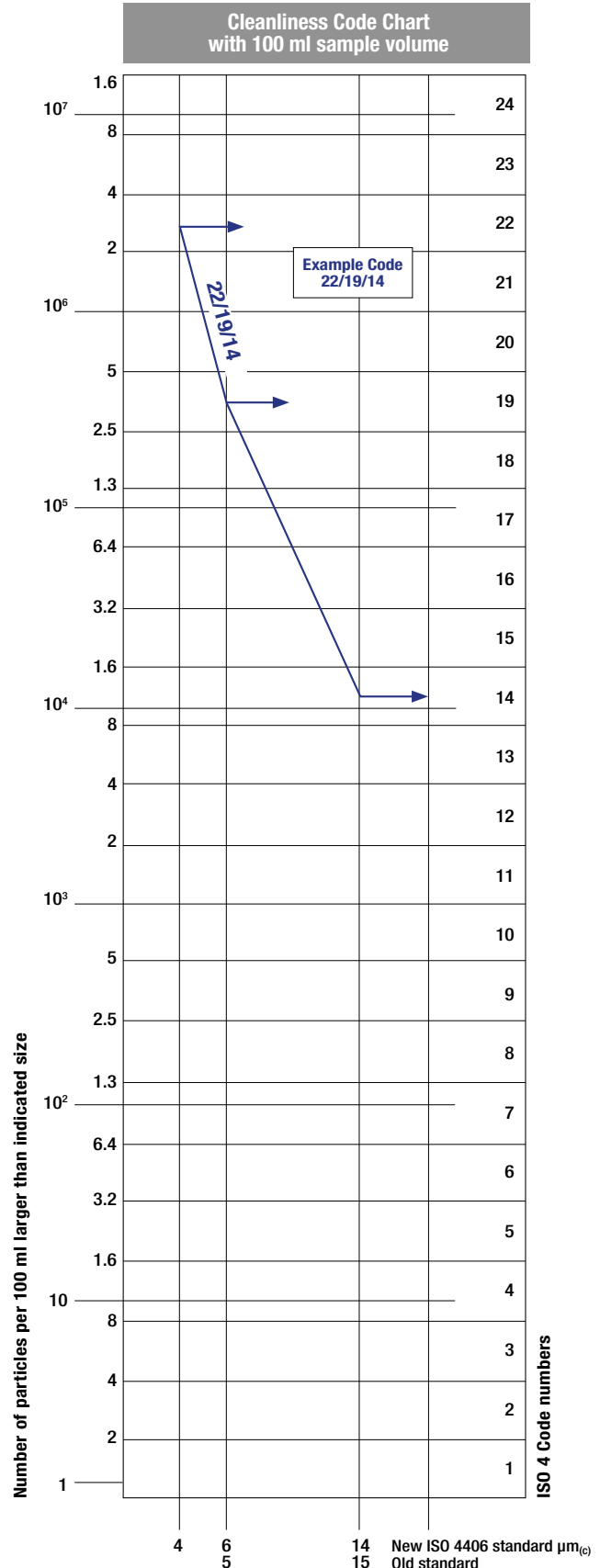
ISO 4406 - Allocation of Scale Numbers

Class	Number of particles per ml	
	Over	Up to
28	1 300 000	2 500 000
27	640 000	1 300 000
26	320 000	640 000
25	160 000	320 000
24	80 000	160 000
23	40 000	80 000
22	20 000	40 000
21	10 000	20 000
20	5 000	10 000
19	2 500	5 000
18	1 300	2 500
17	640	1 300
16	320	640
15	160	320
14	80	160
13	40	80
12	20	40
11	10	20
10	5	10
9	2.5	5
8	1.3	2.5
7	0.64	1.3
6	0.32	0.64
5	0.16	0.32
4	0.08	0.16
3	0.04	0.08
2	0.02	0.04
1	0.01	0.02
0	0	0.01

- > 4 $\mu\text{m}_{(c)}$ = 350 particles
 - > 6 $\mu\text{m}_{(c)}$ = 100 particles
 - > 14 $\mu\text{m}_{(c)}$ = 25 particles
- 16 / 14 / 12

ISO 4406 Cleanliness Code System

Microscope counting examines the particles differently to Contamination Monitoring Products (CMP) and the code is given with two scale numbers only. These are at 5 μm and 15 μm equivalent to the 6 $\mu\text{m}_{(c)}$ and 14 $\mu\text{m}_{(c)}$ of Contamination Monitoring Products (CMP).



- CUMULATIVE DISTRIBUTION OF THE PARTICLES SIZE
SAE AS4059-1 and SAE AS4059-2

Classification example according to SAE AS4059 - Rev. G

The code, prepared for the aerospace industry, is based on the size, quantity, and particle spacing in a 100 ml fluid sample. The contamination classes are defined by numeric codes, the size of the contaminant is identified by letters (A-F).

This SAE Aerospace Standard (AS) defines cleanliness levels for particulate contamination of hydraulic fluids and includes methods of reporting data relating to the contamination levels. Tables 1 and 2 below provide differential and cumulative particle counts respectively for counts obtained by an automatic particle counter, e.g. LPA3.

Table 1 - Class for differential measurement

Class	Dimension of contaminant Maximum Contamination Limits per 100 ml (3)				
	5-15 µm	15-25 µm	25-50 µm	50-100 µm	>100 µm (1)
	6-14 µm(c)	14-21 µm(c)	21-38 µm(c)	38-70 µm(c)	>70 µm(c) (2)
00	125	22	4	1	0
0	250	44	8	2	0
1	500	89	16	3	1
2	1 000	178	32	6	1
3	2 000	356	63	11	2
4	4 000	712	126	22	4
5	8 000	1 425	253	45	8
6	16 000	2 850	506	90	16
7	32 000	5 700	1 012	180	32
8	64 000	11 400	2 025	360	64
9	128 000	22 800	4 050	720	128
10	256 000	45 600	8 100	1 440	256
11	512 000	91 200	16 200	2 880	512
12	1 024 000	182 400	32 400	5 760	1 024

6 - 14 µm(c) = 15 000 particles
14 - 21 µm(c) = 2 200 particles
21 - 38 µm(c) = 200 particles
38 - 70 µm(c) = 35 particles
> 70 µm(c) = 3 particles
SAE AS4059 REV G - Class 6

(1) Size range, optical microscope, based on longest dimension as measured per AS598 or ISO 4407. (2) Size range CMP calibrated per ISO 11171 or an optical or electron microscope with image analysis software, based on projected area equivalent diameter. (3) Contamination classes and particle count limits are identical to NAS 1638.

Table 2 - Class for cumulative measurement

Class	Dimension of contaminant Maximum Contamination Limits per 100 ml					
	>1 µm	>5 µm	>15 µm	>25 µm	>50 µm	>100 µm (1)
	>4 µm(c)	>6 µm(c)	>14 µm(c)	>21 µm(c)	>38 µm(c)	>70 µm(c) (2)
000	195	76	14	3	1	0
00	390	152	27	5	1	0
0	780	304	54	10	2	0
1	1 560	609	109	20	4	1
2	3 120	1 217	217	39	7	1
3	6 250	2 432	432	76	13	2
4	12 500	4 864	864	152	26	4
5	25 000	9 731	1 731	306	53	8
6	50 000	19 462	3 462	612	106	16
7	100 000	38 924	6 924	1 224	212	32
8	200 000	77 849	13 849	2 449	424	64
9	400 000	155 698	27 698	4 898	848	128
10	800 000	311 396	55 396	9 796	1 696	256
11	1 600 000	622 792	110 792	19 592	3 392	512
12	3 200 000	1 245 584	221 584	39 184	6 784	1 024

> 4 µm(c) = 45 000 particles
> 6 µm(c) = 15 000 particles
> 14 µm(c) = 1 500 particles
> 21 µm(c) = 250 particles
> 38 µm(c) = 15 particles
> 70 µm(c) = 3 particle
SAE AS4059 REV G cpc* Class 6 6/6/5/5/4/2

* cumulative particle count

(1) Size range, optical microscope, based on longest dimension as measured per AS598 or ISO 4407. (2) Size range, CMP calibrated per ISO 11171 or an optical or electron microscope with image analysis software, based on projected area equivalent diameter. (3) Contamination classes and particle count limits are identical to NAS 1638.

- CLASSES OF CONTAMINATION ACCORDING TO NAS 1638 (January 1964)

The NAS system was originally developed in 1964 to define contamination classes for the contamination contained within aircraft components.

The application of this standard was extended to industrial hydraulic systems simply because nothing else existed at the time.

The coding system defines the maximum numbers permitted of 100 ml volume at various size intervals (differential counts) rather than using cumulative counts as in ISO 4406. Although there is no guidance given in the standard on how to quote the levels, most industrial users quote a single code which is the highest recorded in all sizes and this convention is used on MP Filtri Contamination Monitoring Products (CMP).

The contamination classes are defined by a number (from 00 to 12) which indicates the maximum number of particles per 100 ml, counted on a differential basis, in a given size bracket.

Size Range Classes (in microns)

Class	Maximum Contamination Limits per 100 ml				
	5-15	15-25	25-50	50-100	>100
	5-15 µm	15-25 µm	25-50 µm	50-100 µm	>100 µm
00	125	22	4	1	0
0	250	44	8	2	0
1	500	89	16	3	1
2	1 000	178	32	6	1
3	2 000	356	63	11	2
4	4 000	712	126	22	4
5	8 000	1 425	253	45	8
6	16 000	2 850	506	90	16
7	32 000	5 700	1 012	180	32
8	64 000	11 400	2 025	360	64
9	128 000	22 800	4 050	720	128
10	256 000	45 600	8 100	1 440	256
11	512 000	91 200	16 200	2 880	512
12	1 024 000	182 400	32 400	5 760	1 024

5-15 µm = 42 000 particles
15-25 µm = 2 200 particles
25-50 µm = 150 particles
50-100 µm = 18 particles
> 100 µm = 3 particles
Class NAS 8

- CUMULATIVE DISTRIBUTION OF THE PARTICLES SIZE - ISO 4407

The level of contamination is defined by counting the number of particles collected by a laboratory membrane per unit of fluid volume. The measurement is done by a microscope. The membrane must be cleaned, dried and desiccated, with fluid and conditions defined by the Standard. The fluid volume is filtered through the membrane, using a suitable suction system.

The level of contamination is identified by dividing the membrane into a predefined number of areas and by counting the contaminant particles using a suitable laboratory microscope.

MICROSCOPE CONTROL AND MEASUREMENT



Example figure 1 and 2

COMPARISON PHOTOGRAPH'S
1 graduation = 10µm



Fig. 1



Fig. 2



For other comparison photographs for contamination classes see the "Filtration and Particle Analyser Handbook".

Scan or click me!

- CLEANLINESS CODE COMPARISON

Although ISO 4406 standard is being used extensively within the hydraulics industry other standards are occasionally required and a comparison may be requested. The table below gives a very general comparison but often no direct comparison is possible due to the different classes and sizes involved.

ISO 4406	SAE AS4059 Table 2	SAE AS4059 Table 1	NAS 1638
> 4 $\mu\text{m}_{(c)}$ 6 $\mu\text{m}_{(c)}$ 14 $\mu\text{m}_{(c)}$	> 4 $\mu\text{m}_{(c)}$ 6 $\mu\text{m}_{(c)}$ 14 $\mu\text{m}_{(c)}$	4-6 6-14 14-21 21-38 38-70 >70	5-15 15-25 25-50 50-100 >100
23 / 21 / 18	13A / 12B / 12C	12	12
22 / 20 / 17	12A / 11B / 11C	11	11
21 / 19 / 16	11A / 10B / 10C	10	10
20 / 18 / 15	10A / 9B / 9B	9	9
19 / 17 / 14	9A / 8B / 8C	8	8
18 / 16 / 13	8A / 7B / 7C	7	7
17 / 15 / 12	7A / 6B / 6C	6	6
16 / 14 / 11	6A / 5B / 5C	5	5
15 / 13 / 10	5A / 4B / 4C	4	4
14 / 12 / 09	4A / 3B / 3C	3	3

6 FILTRATION TECHNOLOGIES

Various mechanisms such as mechanical stoppage, magnetism, gravimetric deposit, or centrifugal separation can be used to reduce the level of contamination.

The mechanical stoppage method is most effective and can take place in two ways:

- SURFACE FILTRATION

It is by direct interception. The filter prevents particles larger than the pores from continuing in the plant / system. Surface filters are generally manufactured with metal canvases or meshes.

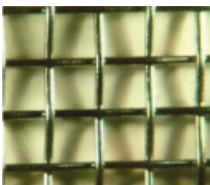
- DEPTH FILTERING

Filters are constructed by fiber interlacing. Such wraps form pathways of different shapes and sizes in which the particles remain trapped when they find smaller apertures than their diameter.

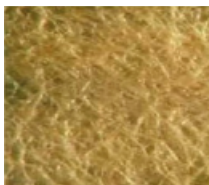
Depth filters are generally produced with papers impregnated with phenolic resins, metal fibers or inorganic fibers.

In inorganic fiber filtration, commonly called microfibre, the filtering layers are often overlapped in order to increase the ability to retain the contaminant.

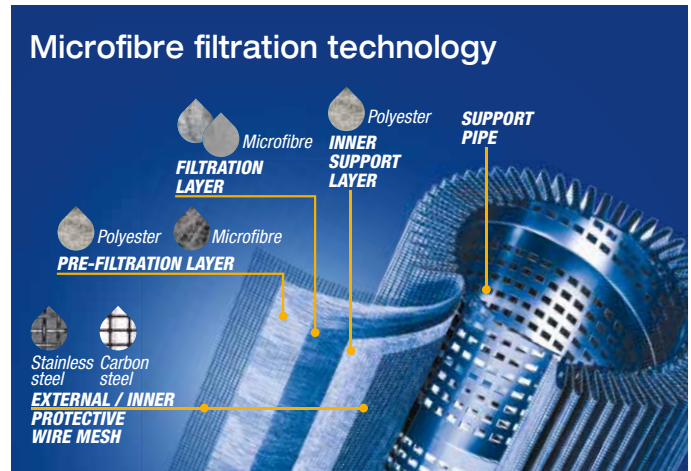
WIRE MESH FILTRATION



PAPER FILTRATION



MICROFIBER FILTRATION



The filtration efficiency of metallic mesh filtrations is defined as the maximum particle size that can pass through the meshes of the filtering grid.

The efficiency of microfibre and paper filtration ($\beta_{x(c)}$) is defined through a lab test called Multipass Test. The efficiency value ($\beta_{x(c)}$) is defined as the ratio between the number of particles of certain dimensions detected upstream and downstream of the filter.

$$\frac{\text{Upstream particles number} > X \mu\text{m}_{(c)}}{\text{Downstream particles number} > X \mu\text{m}_{(c)}} = \beta_{x(c)}$$



Value ($\beta_{x(c)}$)	2	10	75	100	200	1000
Efficiency	50%	90%	98.7%	99%	99.5%	99.9%

Test conditions, such as type of fluid to be used (MIL-H-5606), type of contaminant to be used (ISO MTD), fluid viscosity, test temperature, are determined by ISO 16889.

In addition to the filtration efficiency value during the Multipass test, other important features, such as filtration stability (β stability) and dirt holding capacity (DHC), are also tested.

Poor filtration stability is the cause of the filtering quality worsening as the filter life rises. Low dirt holding capacity causes a reduction in the life of the filter.

Filtration ISO Standard Comparison

$\beta_{x(c)} > 1000$ ISO 16889	$\beta_x > 200$ ISO 4572	MP Filtri Filter media code
5 $\mu\text{m}_{(c)}$	3 μm	A03
7 $\mu\text{m}_{(c)}$	6 μm	A06
10 $\mu\text{m}_{(c)}$	10 μm	A10
16 $\mu\text{m}_{(c)}$	18 μm	A16
21 $\mu\text{m}_{(c)}$	25 μm	A25

7 RECOMMENDED CONTAMINATION CLASSES

Any are the nature and the properties of fluids, they are inevitably subject to contamination. The level of contamination can be managed by using special components called filters.

Hydraulic components builders, knowing the problem of contamination, recommend the filtration level appropriate to the use of their products.

Example of recommended contamination levels for pressures below 140 bar.

Piston pumps with fixed flow rate	•					
Piston pumps with variable flow rate			•			
Vane pumps with fixed flow rate		•				
Vane pumps with variable flow			•			
Engines	•					
Hydraulic cylinders	•					
Actuators					•	
Test benches						•
Check valve	•					
Directional valves	•					
Flow regulating valves	•					
Proportional valves				•		
Servo-valves					•	
Flat bearings			•			
Ball bearings				•		
ISO 4406 CODE	20/18/15	19/17/14	18/16/13	17/15/12	16/14/11	15/13/10
Recommended filtration $\beta_{x(c)} \geq 1.000$	$\beta_{21(c)} > 1000$	$\beta_{15(c)} > 1000$	$\beta_{10(c)} > 1000$	$\beta_{7(c)} > 1000$	$\beta_{7(c)} > 1000$	$\beta_{5(c)} > 1000$
MP Filtri media code	A25	A16	A10	A06	A06	A03

The common classification of filters is determined by their position in the plant.

8 TYPES OF FILTERS

Suction filters

They are positioned before the pump and are responsible for protecting the pump from dirty contaminants. It also provides additional flow guidance to the pump suction line.

Being subject to negligible working pressures are manufactured with simple and lightweight construction.

They are mainly produced with gross grade surface filtrations, mainly $60 \div 125 \mu\text{m}$.

They can be equipped with a magnetic filter for retaining ferrous particles.

They are generally placed under the fluid head to take advantage of the piezometric thrust of the fluid and reduce the risk of cavitation.

There are two types of suction filters:

- IMMERSION FILTERS

Simple filter element screwed on the suction pipe

- FILTERS WITH CONTAINER

Container filters that are more bulky, but provide easier maintenance of the tank

Delivery (or Pressure) filters

They are positioned between the pump and most sensitive regulating and controlling components, such as servo valves or proportional valves, and are designed to ensure the class of contamination required by the components used in the circuit.

Being subjected to high working pressures are manufactured with more robust and articulated construction. In particular situations of corrosive environments or aggressive fluids can be made of stainless steel.

They are mainly produced with filtering depths of $3 \div 25 \mu\text{m}$.

They can be manufactured with in-line connections, with plate or flange connections or directly integrated into the circuit control blocks / manifolds.

They can also be manufactured in duplex configuration to allow the contaminated section to be maintained even when the plant / system is in operation without interruption of the working cycle.

Return filters

They are positioned on the return line to the tank and perform the task of filtering the fluid from particles entering the system from the outside or generated by the wear of the components.

They are generally fixed to the reservoir (for this reason also called top tank mounted), positioned semi-immersed or completely immersed.

The positioning of the return filters must guarantee in all operating conditions that the fluid drainage takes place in immersed condition; this is to avoid creating foams in the tank that can cause malfunctions or cavitation in the pumps.

For the sizing of the return filters, account must be taken of the presence of accumulators or cylinders that can make the return flow considerably greater than the pump suction flow rate.

Being subject to contained working pressures are manufactured with simple and lightweight construction.

Normally it is possible to extract the filter element without disconnecting the filter from the rest of the system.

Combined filters

They are designed to be applied to systems with two or more circuits. They are commonly used in hydrostatic transmission machines where they have a dual filtration function of the return line and suction line of the hydrostatic transmission pump.

The filter is equipped with a valve that keeps the 0.5 bar pressure inside the filter. A portion of the fluid that returns to the tank is filtered by the return filter element, generally produced with absolute filtration, and returns to the transmission booster pump.

Only excess fluid returns to the tank through the valve.

The internal pressure of the filter and the absolute filtration help to avoid the cavitation phenomenon inside the pump.

Off-line filters

They are generally used in very large systems / plants, placed in a closed circuit independent from the main circuit. They remain in operation regardless of the operation of the main circuit and are crossed by a constant flow rate.

They can also be manufactured in duplex configuration to allow the contaminated section to be maintained even when the unit is in operation without interruption of the work cycle.

Venting filters

During the operation of the plants, the fluid level present in the reservoir changes continuously.

The result of this continuous fluctuation is an exchange of air with the outside environment.

The venting filter function, positioned on the tank, is to filter the air that enters the tank to compensate for fluid level variations.

9 FILTER SIZING PARAMETERS

The choice of the filter system for an hydraulic system is influenced by several factors.

It is necessary to consider the characteristics of the various components present in the plant and their sensitivity to contamination.

It is also necessary to consider all the tasks that the filter will have to do within the plant:

- FLUID PROTECTION FROM CONTAMINATION
- PROTECTION OF OLEODYNAMIC COMPONENTS SENSITIVE TO CONTAMINATION
- PROTECTION OF OLEODYNAMIC PLANTS FROM ENVIRONMENTAL WASTE
- PROTECTION OF OLEODYNAMIC PLANTS FROM CONTAMINATION CAUSED BY COMPONENTS' FAILURES

The advantages of proper positioning and sizing of the filters are

- MORE RELIABILITY OF THE SYSTEM
- LONGER LIFE OF THE FLUID COMPONENTS
- REDUCTION OF STOP TIME
- REDUCTION OF FAILURE CASUALTIES

Each hydraulic filter is described by general features that identify the possibility of use in different applications.

- **MAXIMUM WORKING PRESSURE (P_{max})**

The maximum working pressure of the filter must be greater than or equal to the pressure of the circuit section in which it will be installed.

- **PRESSURE DROP (ΔP)**

The pressure drop depends on a number of factors, such as the working circuit temperature, the fluid viscosity, the filter element cleaning condition.

- **WORKING TEMPERATURE (T)**

The working temperature deeply affect the choice of materials. Excessively high or low temperatures may adversely affect the strength of the materials or the characteristics of the seals.

- **FILTRATION EFFICIENCY (%) / FILTRATION RATIO ($\beta_{x(c)}$)**

Filtration efficiency is the most important parameter to consider when selecting a filter.

When choosing the filtration performances, the needs of the most sensitive components in the system must be considered.

- **FLUID TYPE**

The type of fluid influences the choice of filters in terms of compatibility and viscosity. It is always mandatory to check the filterability.

- **PLACEMENT IN THE PLANT**

The position of the filter in the system conditions the efficiency of all filter performances.

10 APPLICABLE STANDARDS FOR FILTER DEVELOPMENT

In order to obtain unique criteria for development and verification of the filters performance, specific regulations for the filters and filter elements testing have been issued by ISO. These norms describe the target, the methodology, the conditions and the presentation methods for the test results.

ISO 2941

Hydraulic fluid power -- Filter elements -- Verification of collapse/burst pressure rating

This Standard describes the method for testing the collapse / burst resistance of the filter elements.

The test is performed by crossing the contaminated fluid filter element at a predefined flow rate. The progressive clogging of the filter element, determined by contamination, causes an increase in differential pressure.

ISO 2942

Hydraulic fluid power -- Filter elements -- Verification of fabrication integrity and determination of the first bubble point

This Standard describes the method to verify the integrity of the assembled filter elements.

It can be used to verify the quality of the production process or the quality of the materials by verifying the pressure value of the first bubble point.

ISO 2943

Hydraulic fluid power -- Filter elements -- Verification of material compatibility with fluids

This Standard describes the method to verify the compatibility of materials with certain hydraulic fluids.

The test is carried out by keeping the element (the material sample) immersed in the fluid under high or low temperature conditions for a given period of time and verifying the retention of the characteristics.

ISO 3723

Hydraulic fluid power -- Filter elements -- Method for end load test

This Standard describes the method for verifying the axial load resistance of the filter elements.

After performing the procedure described in ISO 2943, the designed axial load is applied to the filter element. To verify the test results, then the test described in ISO 2941 is performed.

ISO 3968

Hydraulic fluid power -- Filters -- Evaluation of differential pressure versus flow characteristics

This Standard describes the method for checking the pressure drop across the filter.

The test is carried out by crossing the filter from a given fluid and by detecting upstream and downstream pressures.

Some of the parameters defined by the Standard are the fluid, the test temperature, the size of the tubes, the position of the pressure detection points.

ISO 16889

Hydraulic fluid power -- Filters -- Multi-pass method for evaluating filtration performance of a filter element

This Standard describes the method to check the filtration characteristics of the filter elements.

The test is performed by constant introduction of contaminant (ISO MTD). The characteristics observed during the test are the filtration efficiency and the dirty holding capacity related to the differential pressure.

ISO 23181

Hydraulic fluid power -- Filter elements -- Determination of resistance to flow fatigue using high viscosity fluid

This Standard describes the method for testing the fatigue resistance of the filter elements. The test is carried out by subjecting the filter to continuous flow variations, thus differential pressure, using a high viscosity fluid.

ISO 11170

Hydraulic fluid power -- Sequence of tests for verifying performance characteristics of filter elements

The Standard describes the method for testing the performance of filter elements. The protocol described by the regulations provides the sequence of all the tests described above in order to verify all the working characteristics (mechanical, hydraulic and filtration).

ISO 10771-1

Hydraulic fluid power -- Fatigue pressure testing of metal pressure-containing envelopes -- Test method

This Standard describes the method to check the resistance of the hydraulic components with pulsing pressure.

It can be applied to all metal components (excluding tubes) subject to cyclic pressure used in the hydraulic field.

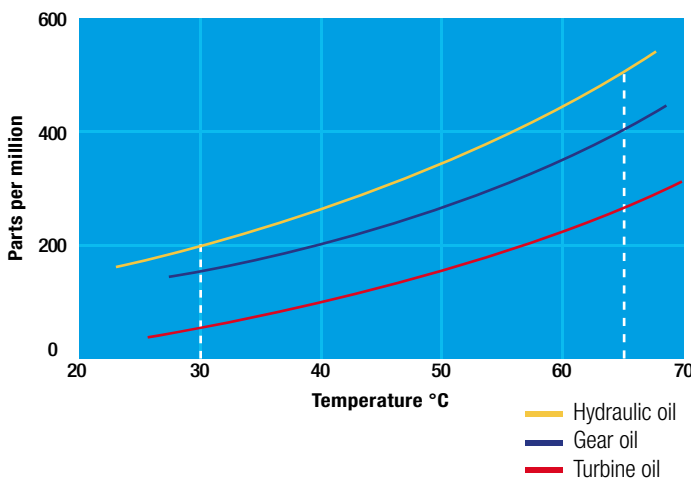
11 WATER IN HYDRAULIC AND LUBRICATING FLUIDS

Water Content

In mineral oils and non aqueous resistant fluids water is undesirable. Mineral oil usually has a water content of 50-300 ppm (@40°C) which it can support without adverse consequences.

Once the water content exceeds about 300ppm the oil starts to appear hazy. Above this level there is a danger of free water accumulating in the system in areas of low flow. This can lead to corrosion and accelerated wear.

Similarly, fire resistant fluids have a natural water which may be different to mineral oil.



Saturation Levels

Since the effects of free (also emulsified) water is more harmful than those of dissolved water, water levels should remain well below the saturation point.

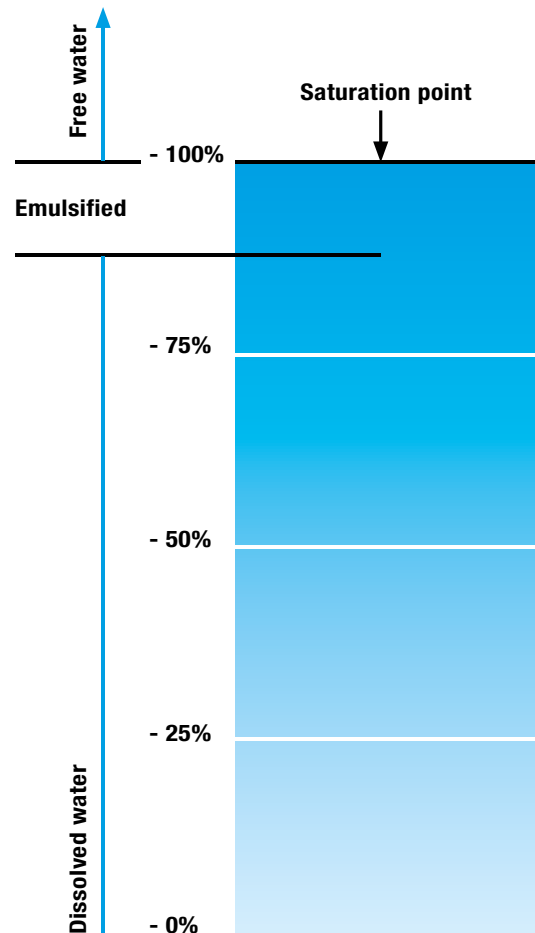
However, even water in solution can cause damage and therefore every reasonable effort should be made to keep saturation levels as low as possible. There is no such thing as too little water. As a guideline, we recommend maintaining saturation levels below 50% in all equipment.

TYPICAL WATER SATURATION LEVEL FOR NEW OILS

Examples:

Hydraulic oil @ 30°C = 200 ppm = 100% saturation

Hydraulic oil @ 65°C = 500 ppm = 100% saturation



WATER REMOVAL

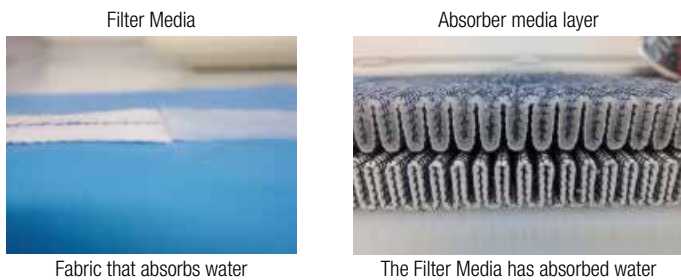
Water is present everywhere, during storage, handling and servicing.

MP Filtri filter elements feature an absorbent media which protects hydraulic systems from both particulate and water contamination.

MP Filtri's filter element technology is available with inorganic microfiber media with a filtration rating 25 µm (therefore identified with media designation WA025), providing absolute filtration of solid particles to $\beta_{x(c)} = 1000$.

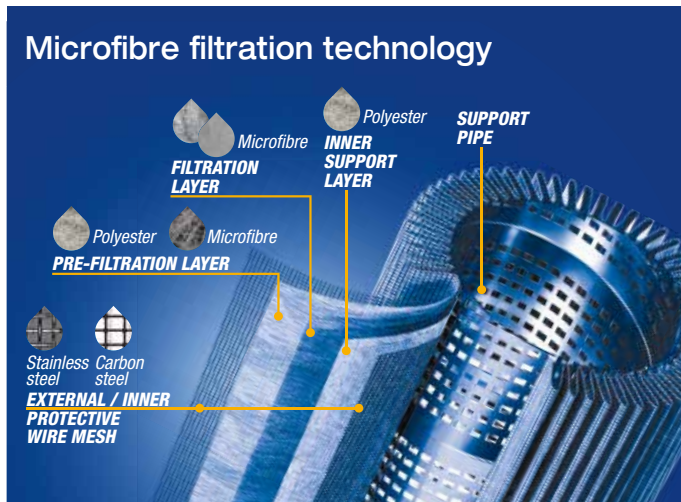
Absorbent media is made by water absorbent fibres which increase in size during the absorption process.

Free water is thus bonded to the filter media and completely removed from the system (it cannot even be squeezed out).



Fabric that absorbs water

The Filter Media has absorbed water



By removing water from your fluid power system, you can prevent such key problems as:

- corrosion (metal etching)
- loss of lubricant power
- accelerated abrasive wear in hydraulic components
- valve-locking
- bearing fatigue
- viscosity variance (reduction in lubricating properties)
- additive precipitation and oil oxidation
- increase in acidity level
- increased electrical conductivity (loss of dielectric strength)
- slow/weak response of control systems



Scan or click me!

For more details please refer to our dedicate brochure "WATER REMOVAL"

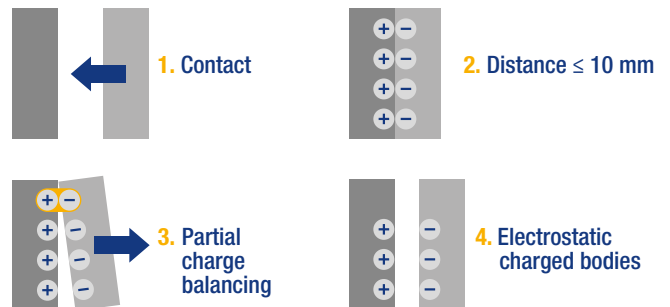
12 THE ANTI-STATIC FILTERS



zerospark is a specialist solution designed to solve the problem of electrostatic discharge inside hydraulic filters. Caused by the electrical charge build-up due to the passage of oil through the filters, this can result in damage to filter elements, oils and circuit components. It can even cause fire hazards in environments where flammable materials are present.

THE TRIBOELECTRIC EFFECT

The body with the most electronegativity strips electrons from the other, generating a build-up of a net negative charge on itself. The other body is charged by the same amount but with the opposite sign, giving rise to very high potential differences. These, if not dissipated, can give rise to electrostatic discharges.



Scan or click me!

For more details please refer to our dedicate brochure "ZEROSPARK"

FILTER SIZING

INDEX

	Page
CALCULATION	22
FILTERS SIZING SOFTWARE	29

THE CORRECT FILTER SIZING HAS TO BE BASED ON THE TOTAL PRESSURE DROP DEPENDING ON THE APPLICATION.

FOR EXAMPLE, THE MAXIMUM TOTAL PRESSURE DROP ALLOWED BY A NEW AND CLEAN RETURN FILTER HAS TO BE IN THE RANGE 0.4 - 0.6 bar / 5.80 - 8.70 psi.

The pressure drop calculation is performed by adding together the value of the housing with the value of the filter element. The pressure drop Δp_c of the housing is proportional to the fluid density (kg/dm^3 / lb/ft^3). The filter element pressure drop Δp_e is proportional to its viscosity (mm^2/s / SUS), the corrective factor Y have to be used in case of an oil viscosity different than $30 \text{ mm}^2/\text{s}$ (cSt) / 150 SUS.

Sizing data for single filter element, head at top

Δp_c = Filter housing pressure drop [bar / psi]

Δp_e = Filter element pressure drop [bar / psi]

Y = Corrective factor Y (see correspondent table), depending on the filter type, on the filter element size, on the filter element length and on the filter media

Q = flow rate (l/min - gpm)

V1 reference oil viscosity = $30 \text{ mm}^2/\text{s}$ (cSt) / 150 SUS

V2 = operating oil viscosity in mm^2/s (cSt) / SUS

Filter element pressure drop calculation with an oil viscosity different than $30 \text{ mm}^2/\text{s}$ (cSt) / 150 SUS

International system:

$$\Delta p_e = Y : 1000 \times Q \times (V2:V1)$$

Imperial system:

$$\Delta p_e = Y : 17.2 \times Q \times (V2:V1)$$

$$\Delta p_{\text{Tot.}} = \Delta p_c + \Delta p_e$$

Verification formula

$$\Delta p_{\text{Tot.}} \leq \Delta p_{\text{max allowed}}$$

Maximum total pressure drop (Δp_{max}) allowed by a new and clean filter

Filter family	Δp_{max}	
	[bar]	[psi]
Suction	0.08 bar	1.15 psi
Return	0.50 bar	7.25 psi
Return - Suction (*)	1.50 bar	22.00 psi
Low & Medium Pressure/Duplex	0.70 bar	10.15 psi
High Pressure Pressure/Duplex	1.50 bar	22.00 psi
Stainless Steel	1.50 bar	22.00 psi
ATEX	1.50 bar	22.00 psi

(*)The suction flow rate should not exceed 30% of the return flow rate

Filter pressure drop calculation example

Application data:

Selected filter: tank top return filter - MPT110 series with bypass valve and G 1 1/4" inlet connection.

Selected filter element: **MF100 length 4**

Required filtration efficiency = **25 μm** absolute filtration with microfibre

Pressure Pmax = 10 bar / 145.03 psi

Flow rate Q = 120 l/min / 31.7 gpm

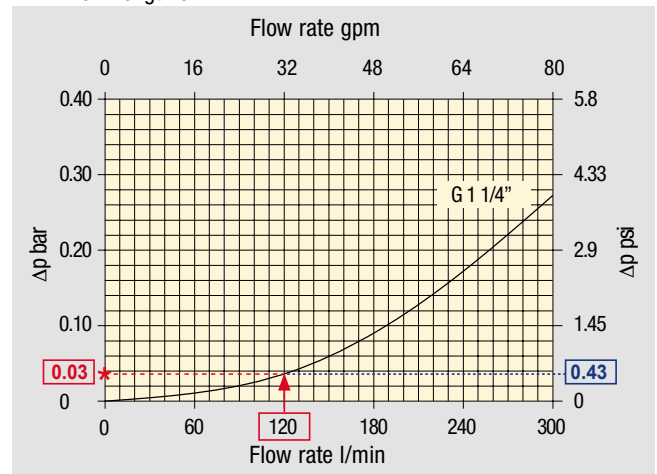
Viscosity V2 = $46 \text{ mm}^2/\text{s}$ (cSt) / 216 SUS

Oil density = $0.86 \text{ kg}/\text{dm}^3$ / $53.68 \text{ lb}/\text{ft}^3$

Calculation:

$\Delta p_c = 0.03 \text{ bar} / 0.43 \text{ psi}$ (see graphic below)

MPT 110 - Length 3 - 4



Filter housings Δp pressure drop.

The curves are plotted using mineral oil with density of $0.86 \text{ kg}/\text{dm}^3$ in compliance with ISO 3968. Δp varies proportionally with density.

Filter element	Absolute filtration H Series					Nominal filtration N Series		
	A03	A06	A10	A16	A25	P(00)10	P(00)25	M(00)25 M(00)60 M(00)90
Return filters	74.00	50.08	20.00	16.00	9.00	6.43	5.51	4.40
MF 020	2	29.20	24.12	8.00	7.22	5.00	3.33	2.85
	3	22.00	19.00	6.56	5.33	4.33	1.68	1.44
MF 030	1	74.00	50.08	20.00	16.00	9.00	6.43	5.51
MFX 030	1	28.20	24.40	8.67	8.17	6.88	4.62	3.96
MF 100	2	17.33	12.50	6.86	5.70	4.00	3.05	2.47
MFX 100	3	10.25	9.00	3.65	3.33	2.50	1.63	1.32
	4	6.10	5.40	2.30	2.20	2.00	1.19	0.96

$$\Delta p_e = (2.00 : 1000) \times 120 \times (46 : 30) = 0.37 \text{ bar}$$

$$\Delta p_e = (2.00 : 17.2) \times 32 \times (216 : 150) = 5.36 \text{ psi}$$

$$\checkmark \Delta p_{\text{Tot.}} = 0.03 + 0.37 = 0.4 \text{ bar}$$

$$\checkmark \Delta p_{\text{Tot.}} = 0.43 + 5.36 = 5.79 \text{ psi}$$

The selection is correct because the total pressure drop value is inside the admissible range for top tank return filters.

In case the max allowed total pressure drop is not verified, it is necessary to repeat the calculation changing the filter and/or filter element length/size.

SUCTION FILTERS

Filter element		Nominal filtration Filter element ΔP Series : A - C					
Type	Length	P0010	P0025	M0025	M0060	M0090	M0250
SMC 250	10	0.65	0.20	0.10	0.08	0.05	0.03
SSC 503	10	-	-	0.17	0.11	0.11	0.11
SSC 504	10	-	-	0.11	0.08	0.08	0.08
SSC 505	10	-	-	0.23	0.18	0.18	0.18
SSC 510	10	-	-	0.18	0.14	0.14	0.14
SSC 535	10	-	-	0.08	0.05	0.05	0.05
SSC 540	10	-	-	0.05	0.04	0.04	0.04
FEX 060	10	4.58	3.22	1.02	0.89	0.63	0.63
	20	1.97	1.38	0.62	0.45	0.29	0.29
FEX 110	10	1.33	1.12	0.22	0.18	0.14	0.14
	20	0.90	0.76	0.15	0.10	0.09	0.09

RETURN FILTERS

Filter element		Absolute filtration Filter element ΔP Series: H					Nominal filtration Filter Element ΔP Series: N		
Type	Length	A03	A06	A10	A16	A25	P10	P25	M25 - M60 - M90
MF 020	1	74.00	50.08	20.00	16.00	9.00	6.43	5.51	4.40
	2	29.20	24.12	8.00	7.22	5.00	3.33	2.85	2.00
	3	22.00	19.00	6.56	5.33	4.33	1.68	1.44	1.30
MFX 030 MF 030	1	74.00	50.08	20.00	16.00	9.00	6.43	5.51	3.40
MF 100 MF 100	1	28.20	24.40	8.67	8.17	6.88	4.62	3.96	1.25
	2	17.33	12.50	6.86	5.70	4.00	3.05	2.47	1.10
	3	10.25	9.00	3.65	3.33	2.50	1.63	1.32	0.96
	4	6.10	5.40	2.30	2.20	2.00	1.19	0.96	0.82
MF 180 MF 180	1	3.67	3.05	1.64	1.56	1.24	1.18	1.06	0.26
	2	1.69	1.37	0.68	0.54	0.51	0.43	0.39	0.12
MF 190 MF 190	2	1.69	1.37	0.60	0.49	0.44	0.35	0.31	0.11
MF 400 MF 400	1	3.20	2.75	1.39	1.33	1.06	0.96	0.87	0.22
	2	2.00	1.87	0.88	0.85	0.55	0.49	0.45	0.13
	3	1.90	1.60	0.63	0.51	0.49	0.39	0.35	0.11
MF 750 MF 750	1	1.08	0.84	0.49	0.36	0.26	0.21	0.19	0.06
MLX 250	2	3.00	3.04	1.46	1.25	1.17	-	-	M25
									0.20
MLX 660	2	1.29	1.26	0.52	0.44	0.38	-	-	M25
									0.10
CU 025		78.00	48.00	28.00	24.00	9.33	9.33	8.51	1.25
CU 040		25.88	20.88	10.44	10.00	3.78	3.78	3.30	1.25
CU 100		15.20	14.53	5.14	4.95	2.00	2.00	0.17	1.10
CU 250		3.25	2.55	1.55	1.35	0.71	0.71	0.59	0.25
CU 630		1.96	1.68	0.85	0.72	0.24	0.42	0.36	0.09
CU 850		1.06	0.84	0.42	0.33	0.17	0.17	0.13	0.04

TO BE CONTINUED >>

Corrective factor Y to be used for the filter element pressure drop calculation. The values depend to the filter size and length and to the filter media.
Reference oil viscosity 30 mm²/s

FILTER SIZING Corrective factor

RETURN FILTERS

Filter element		Absolute filtration Filter element ΔP Series: H					Nominal filtration Filter Element ΔP Series: N			
Type	Length	A03	A06	A10	A16	A25	P10	P25	M25 - M60 - M90	
MR 250	2	3.61	4.08	1.81	1.71	1.35	-	-	M25 0.55	
	4	2.10	1.70	1.14	0.77	0.53	-	-	0.60	
MR 100	1	19.00	17.00	6.90	6.30	4.60	2.94	2.52	1.60	
	2	11.70	10.80	4.40	4.30	3.00	2.94	2.52	1.37	
	3	7.80	6.87	3.70	3.10	2.70	2.14	1.84	1.34	
	4	5.50	4.97	2.60	2.40	2.18	1.72	1.47	1.34	
	5	4.20	3.84	2.36	2.15	1.90	1.60	1.37	1.34	
MR 250	1	5.35	4.85	2.32	1.92	1.50	1.38	1.20	0.15	
	2	4.00	3.28	1.44	1.10	1.07	0.96	0.83	0.13	
	3	2.60	2.20	1.08	1.00	0.86	0.77	0.64	0.12	
	4	1.84	1.56	0.68	0.56	0.44	0.37	0.23	0.11	
MR 630	1	3.10	2.48	1.32	1.14	0.92	0.83	0.73	0.09	
	2	2.06	1.92	0.82	0.76	0.38	0.33	0.27	0.08	
	3	1.48	1.30	0.60	0.56	0.26	0.22	0.17	0.08	
	4	1.30	1.20	0.48	0.40	0.25	0.21	0.16	0.08	
	5	0.74	0.65	0.30	0.28	0.13	0.10	0.08	0.04	
MR 850	1	0.60	0.43	0.34	0.25	0.13	0.12	0.09	0.03	
	2	0.37	0.26	0.23	0.21	0.11	0.08	0.07	0.03	
	3	0.27	0.18	0.17	0.17	0.05	0.04	0.04	0.02	
	4	0.23	0.16	0.13	0.12	0.04	0.03	0.03	0.02	

RETURN / SUCTION FILTERS

Filter element		Absolute filtration		
Type	Length	A10	A16	A25
RSX 116	1	5.12	4.33	3.85
	2	2.22	1.87	1.22
RSX 165 RSX 166	1	2.06	1.75	1.46
	2	1.24	1.05	0.96
	3	0.94	0.86	0.61

Filter element		Absolute filtration Filter Element ΔP Series: N							
Type	Length	A03	A06	A10	A16	A25	P10	P25	M25 - M60 - M90
CU 110	1	16.25	15.16	8.75	8.14	5.87	2.86	2.65	0.14
	2	12.62	10.44	6.11	6.02	4.16	1.60	1.49	0.12
	3	8.57	7.95	5.07	4.07	2.40	1.24	1.15	0.11
	4	5.76	4.05	4.05	2.36	1.14	0.91	0.85	0.05

Corrective factor Y to be used for the filter element pressure drop calculation. The values depend to the filter size and length and to the filter media.
Reference oil viscosity 30 mm²/s

LOW & MEDIUM PRESSURE FILTERS

Filter element		Absolute filtration Filter Element ΔP Series: N - W					Nominal filtration Filter Element ΔP Series: N		
Type	Length	A03	A06	A10	A16	A25	P10	P25	M25
CU 110	1	16.25	15.16	8.75	8.14	5.87	2.86	2.65	0.14
	2	12.62	10.44	6.11	6.02	4.15	1.60	1.49	0.12
	3	8.57	7.95	5.07	4.07	2.40	1.24	1.15	0.11
	4	5.76	4.05	2.80	2.36	1.14	0.91	0.85	0.05
CU 210	1	5.30	4.80	2.00	1.66	1.32	0.56	0.43	0.12
	2	3.44	2.95	1.24	1.09	0.70	0.42	0.35	0.09
	3	2.40	1.70	0.94	0.84	0.54	0.33	0.23	0.05
DN	016	7.95	7.20	3.00	2.49	1.98	0.84	0.65	0.18
	025	5.00	4.53	1.89	1.57	1.25	0.53	0.41	0.11
	040	3.13	2.66	1.12	0.98	0.63	0.38	0.32	0.08
CU 400	2	3.14	2.55	1.46	1.22	0.78	0.75	0.64	0.19
	3	2.15	1.70	0.94	0.78	0.50	0.40	0.34	0.10
	4	1.60	1.28	0.71	0.61	0.40	0.34	0.27	0.08
	5	1.00	0.83	0.47	0.34	0.20	0.24	0.19	0.06
	6	0.82	0.58	0.30	0.27	0.17	0.22	0.18	0.105
CU 900	1	0.86	0.63	0.32	0.30	0.21	-	-	0.05
CU 950	2	1.03	0.80	0.59	0.40	0.26	-	-	0.05
	3	0.44	0.40	0.27	0.18	0.15	-	-	0.02
MR 630	7	0.88	0.78	0.36	0.34	0.16	0.12	0.96	0.47

HIGH PRESSURE FILTERS

Filter element		Absolute filtration Filter Element ΔP Series: N - R					Nominal filtration Filter El. ΔP Series: N
Type	Length	A03	A06	A10	A16	A25	M25
HP 010 HP 011	1	332.71	250.07	184.32	152.36	128.36	-
	2	220.28	165.56	74.08	59.13	37.05	-
	3	123.24	92.68	41.48	33.08	20.72	-
	4	77.76	58.52	28.37	22.67	16.17	-
HP 039	2	70.66	53.20	25.77	20.57	14.67	4.90
	3	36.57	32.28	18.00	13.38	8.00	2.90
	4	26.57	23.27	12.46	8.80	5.58	2.20
HP 050 HPX 050	1	31.75	30.30	13.16	12.3	7.29	1.60
	2	24.25	21.26	11.70	9.09	4.90	1.40
	3	17.37	16.25	8.90	7.18	3.63	1.25
	4	12.12	10.75	6.10	5.75	3.08	1.07
	5	7.00	6.56	3.60	3.10	2.25	0.80
HP 065	1	58.50	43.46	23.16	19.66	10.71	1.28
	2	42.60	25.64	16.22	13.88	7.32	1.11
	3	20.50	15.88	8.18	6.81	3.91	0.58
HP 135	1	20.33	18.80	9.71	8.66	4.78	2.78
	2	11.14	10.16	6.60	6.38	2.22	1.11
	3	6.48	6.33	3.38	3.16	2.14	1.01
HP 150 HPX 150	1	17.53	15.91	7.48	6.96	5.94	1.07
	2	8.60	8.37	3.54	3.38	3.15	0.58
	3	6.53	5.90	2.93	2.79	2.12	0.49

TO BE CONTINUED >>

Corrective factor Y to be used for the filter element pressure drop calculation. The values depend to the filter size and length and to the filter media.
Reference oil viscosity 30 mm²/s

FILTER SIZING Corrective factor

HIGH PRESSURE FILTERS

Filter element		Absolute filtration Filter Element ΔP Series: N - R					Nominal filtration Filter El. ΔP Series: N
Type	Length	A03	A06	A10	A16	A25	M25
HP 320	1	10.88	9.73	5.02	3.73	2.54	1.04
	2	4.40	3.83	1.75	1.48	0.88	0.71
	3	2.75	2.11	1.05	0.87	0.77	0.61
	4	2.12	1.77	0.98	0.78	0.55	0.47
HP 500	1	4.44	3.67	2.30	2.10	1.65	0.15
	2	3.37	2.77	1.78	1.68	1.24	0.10
	3	2.22	1.98	1.11	1.09	0.75	0.08
	4	1.81	1.33	0.93	0.86	0.68	0.05
	5	1.33	1.15	0.77	0.68	0.48	0.04
HP 325	1	3.65	2.95	2.80	1.80	0.90	0.38
	2	2.03	1.73	1.61	1.35	0.85	0.36
	3	1.84	1.42	1.32	1.22	0.80	0.35

Filter element		Absolute filtration Filter Element ΔP Series: S - H - U				
Type	Length	A03	A06	A10	A16	A25
HP 010 HP 011	1	424.58	319.74	235.17	194.44	163.78
	2	281.06	211.25	94.35	75.45	47.26
	3	130.14	97.50	43.63	34.82	21.81
	4	109.39	82.25	36.79	29.37	18.40
HP 039	2	73.00	57.00	28.00	24.00	17.20
	3	40.90	36.33	21.88	18.80	11.20
	4	31.50	28.22	17.22	9.30	6.70
HP 050 HPX 050	1	47.33	34.25	21.50	20.50	14.71
	2	29.10	25.95	10.04	10.90	5.88
	3	20.85	19.50	10.68	8.61	4.36
	4	14.55	12.90	7.32	6.90	3.69
	5	9.86	9.34	6.40	4.80	2.50
HP 135	1	29.16	25.33	13.00	12.47	5.92
	2	14.28	11.04	7.86	7.90	4.44
	3	8.96	7.46	4.89	4.16	3.07
HP 320	1	13.00	12.19	6.80	6.40	3.32
	2	6.45	5.31	3.01	2.89	1.73
	3	4.13	3.14	1.90	1.78	1.17
	4	3.17	2.71	1.80	1.70	1.10
HP 500	1	9.70	8.81	4.55	4.47	2.80
	2	5.46	4.63	2.88	2.68	2.20
	3	3.90	3.74	2.22	2.07	1.53
	4	3.10	2.84	1.56	1.53	1.02
	5	1.93	1.83	1.14	1.08	0.69

Corrective factor Y to be used for the filter element pressure drop calculation. The values depend to the filter size and length and to the filter media.
Reference oil viscosity 30 mm²/s

STAINLESS STEEL HIGH PRESSURE FILTERS

Filter element		Absolute filtration Filter Element ΔP Series: N - R					Nominal filtration Filter El. ΔP Series: N
Type	Length	A03	A06	A10	A16	A25	M25
HP 010 HP 011	1	332.71	250.07	184.32	152.36	128.36	-
	2	220.28	165.56	74.08	59.13	37.05	-
	3	123.24	92.68	41.48	33.08	20.72	-
	4	77.76	58.52	28.37	22.67	16.17	-
HP 039	2	70.66	53.20	25.77	20.57	14.67	4.90
	3	36.57	32.28	18.00	13.38	8.00	2.90
	4	26.57	23.27	12.46	8.80	5.58	2.20
HP 050	1	31.75	30.30	13.16	12.3	7.29	1.60
	2	24.25	21.26	11.70	9.09	4.90	1.40
	3	17.37	16.25	8.90	7.18	3.63	1.25
	4	12.12	10.75	6.10	5.75	3.08	1.07
	5	7.00	6.56	3.60	3.10	2.25	0.80
HP 135	1	20.33	18.80	9.71	8.66	4.78	2.78
	2	11.14	10.16	6.60	6.38	2.22	1.11
	3	6.48	6.33	3.38	3.16	2.14	1.01

Filter element		Absolute filtration Filter Element ΔP Series: S - H - U				
Type	Length	A03	A06	A10	A16	A25
HP 010 HP 011	1	424.58	319.74	235.17	194.44	163.78
	2	281.06	211.25	94.35	75.45	47.26
	3	130.14	97.50	43.63	34.82	21.81
	4	109.39	82.25	36.79	29.37	18.40
HP 039	2	73.00	57.00	28.00	24.00	17.20
	3	40.90	36.33	21.88	18.80	11.20
	4	31.50	28.22	17.22	9.30	6.70
HP 050	1	47.33	34.25	21.50	20.50	14.71
	2	29.10	25.95	10.04	10.90	5.88
	3	20.85	19.50	10.68	8.61	4.36
	4	14.55	12.90	7.32	6.90	3.69
	5	9.86	9.34	6.40	4.80	2.50
HP 135	1	29.16	25.33	13.00	12.47	5.92
	2	14.28	11.04	7.86	7.90	4.44
	3	8.96	7.46	4.89	4.16	3.07

Corrective factor Y to be used for the filter element pressure drop calculation. The values depend to the filter size and length and to the filter media.
Reference oil viscosity 30 mm²/s

FILTER SIZING Corrective factor

FILTERS FOR POTENTIALLY EXPLOSIVE ATMOSPHERE

Filter element		Absolute filtration Filter Element ΔP Series: N - R					Nominal filtration Filter El. ΔP Series: N
Type	Length	A03	A06	A10	A16	A25	M25
HP 010 HP 011	1	332.71	250.07	184.32	152.36	128.36	-
	2	220.28	165.56	74.08	59.13	37.05	-
	3	123.24	92.68	41.48	33.08	20.72	-
	4	77.76	58.52	28.37	22.67	16.17	-
HP 039	2	70.66	53.20	25.77	20.57	14.67	4.90
	3	36.57	32.28	18.00	13.38	8.00	2.90
	4	26.57	23.27	12.46	8.80	5.58	2.20
HPX 050	1	31.75	30.30	13.16	12.3	7.29	1.60
	2	24.25	21.26	11.70	9.09	4.90	1.40
	3	17.37	16.25	8.90	7.18	3.63	1.25
	4	12.12	10.75	6.10	5.75	3.08	1.07
	5	7.00	6.56	3.60	3.10	2.25	0.80
HP 135	1	20.33	18.80	9.71	8.66	4.78	2.78
	2	11.14	10.16	6.60	6.38	2.22	1.11
	3	6.48	6.33	3.38	3.16	2.14	1.01
HP 150	1	17.53	15.91	7.48	6.96	5.94	1.07
	2	8.60	8.37	3.54	3.38	3.15	0.58
	3	6.53	5.90	2.93	2.79	2.12	0.49

Filter element		Absolute filtration Filter Element ΔP Series: S - H - U				
Type	Length	A03	A06	A10	A16	A25
HP 010 HP 011	1	424.58	319.74	235.17	194.44	163.78
	2	281.06	211.25	94.35	75.45	47.26
	3	130.14	97.50	43.63	34.82	21.81
	4	109.39	82.25	36.79	29.37	18.40
HP 039	2	73.00	57.00	28.00	24.00	17.20
	3	40.90	36.33	21.88	18.80	11.20
	4	31.50	28.22	17.22	9.30	6.70
HPX 050	1	47.33	34.25	21.50	20.50	14.71
	2	29.10	25.95	10.04	10.90	5.88
	3	20.85	19.50	10.68	8.61	4.36
	4	14.55	12.90	7.32	6.90	3.69
	5	9.86	9.34	6.40	4.80	2.50
HP 135	1	29.16	25.33	13.00	12.47	5.92
	2	14.28	11.04	7.86	7.90	4.44
	3	8.96	7.46	4.89	4.16	3.07

Corrective factor Y to be used for the filter element pressure drop calculation. The values depend to the filter size and length and to the filter media.

Filters sizing software

The web-based software program will allow you to select the most suitable MP Filtri's Filters, in accordance with your process design requirements.

The program will automatically check your input design process prior to propose you the acceptable solutions and create an output in PDF report style format.

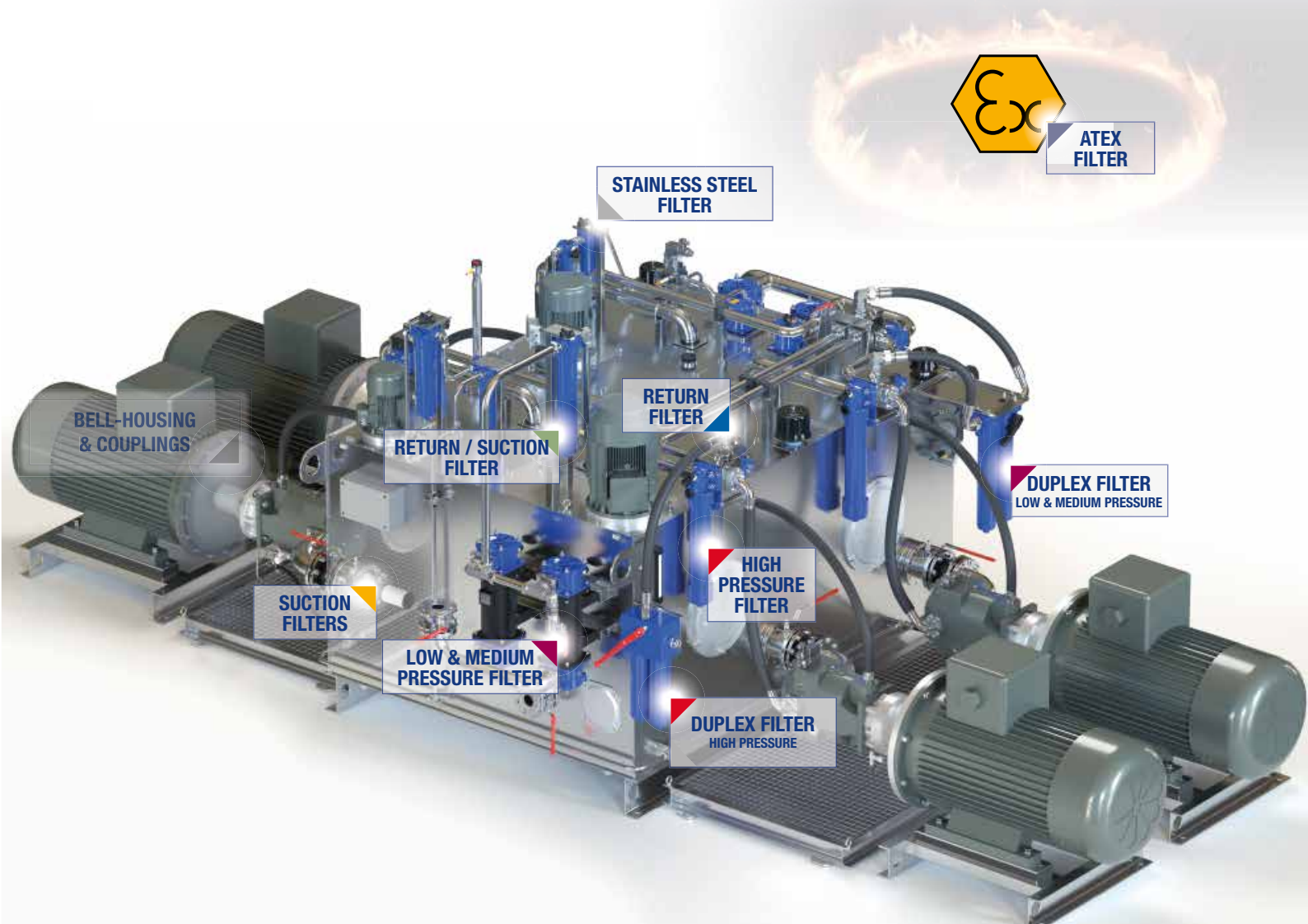
The MP Filtri Selection Tool software program is easy to use with a flexible fast design method and provides improved layout formats with full descriptions.

The web-based tool is available at MP Filtri website at following link: <https://www.mpfiltri.com/tools/>

The related, complete user guide is available as Manual and downloadable from the "Download" section of MP Filtri website, as well as scanning the following QR code



Scan or click me!



Suction filters are used as safety filters to protect pumps from gross contamination which can cause them to grip.

They are available in 3 families:

- **Suction Strainers (STRC and MPAC)**
- **SFEX ELIXIR® series, for protection of the downstream pump against the coarse contamination**
- **SFMC and SFSC external filters, for mounting semi-immersed under the oil level**

SFMC and SFSC semi-immersed filters, which shut-off oil flow while the filter element is being replaced, replace the butterfly valves usually used for servicing hydraulic pumps.

Suction filters



STRC & MPAC	page 33
SFEX	41
SFMC	51
SFSC	61
INDICATORS	719

STRC & MPAC series

Flow rate up to 1000 l/min



Description

Technical data

Suction filters

Flow rate up to 1000 l/min

STRC

STRC is a range of suction strainers for protection of the downstream pump against the coarse contamination.

They are placed below the oil level directly connected to the suction line of the pump.

Available features:

- Female threaded connections up to 3", for a maximum flow rate of 1000 l/min
- Bypass valve, to relieve excessive pressure drop across the filter media

Common application:

- Mobile machines (Construction and Agriculture machines)
- Industrial equipment

MPAC

MPAC is a range of suction strainers for protection of the downstream pump against the coarse contamination.

They are placed below the minimum oil level, directly connected to the suction line of the pump.

The robust design allows the use of these filters in any heavy duty application.

Available features:

- Female threaded connections up to 3", for a maximum flow rate of 1000 l/min
- Magnetic filter (MPAC), to hold the ferrous particles

Common application:

Industrial equipment

STRC materials

- 1 - Connection: Polyamide, GF reinforced
- 2 - Core tube: Tinned steel
- 3 - Wire mesh
- 4 - End cap: Polyamide, GF reinforced
- 5 - Bypass valve: Polyamide, GF reinforced - Steel

MPAC materials

- 1 - Connection: Aluminium
- 2 - Magnetic filter
- 3 - Tie rod: Galvanized steel
- 4 - End cap: Galvanized steel
- 5 - Core tube: Galvanized steel
- 6 - Filter media: Wire mesh
- 7 - Bottom: Galvanized steel
- 8 - Washer: Galvanized steel
- 9 - Self-locking nut: Galvanized steel - Polyamide

Bypass valve

Opening pressure 30 kPa (0.3 bar)

Elements

Fluid flow through the filter element from OUT to IN.

Temperature

From -25 °C to +110 °C

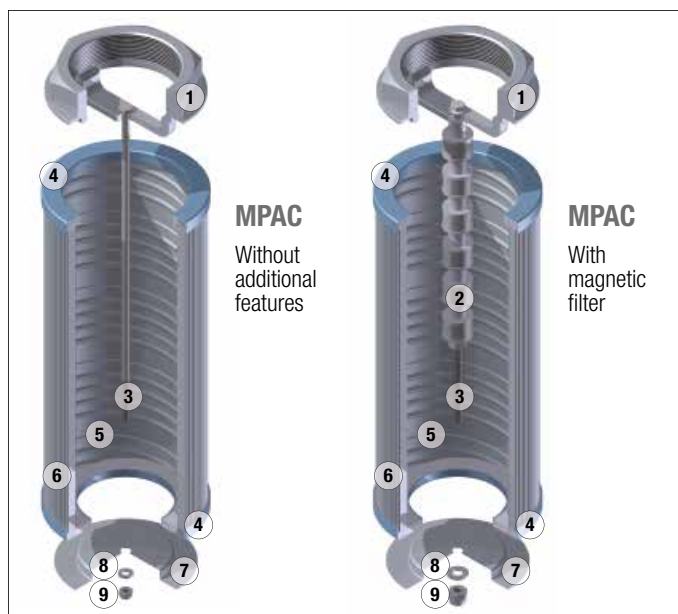
Quantity

Series and size	pcs/pack
STRC 045 - 050	12
STRC 065 - 070 - 086 - 100	6
STRC 140 - 150	1
MPAC 050	12
MPAC 070 - 100	6
MPAC 140	1



Weights [kg]

Filter series	
STRC	see page 37
MPAC	see page 39



Flow rates [l/min]

Filter series	Thread	l/min
STRC & MPAC	3/8"	19
	1/2"	28
	3/4"	67
	1"	126
	1 1/4"	167
	1 1/2"	258
	2"	480
	2 1/2"	854
	3"	995

Maximum flow rate for a complete suction filter with a pressure drop $\Delta p = 0.08$ bar.

The reference fluid has a kinematic viscosity of 30 mm²/s (cSt) and a density of 0.86 kg/dm³.

For different pressure drop or fluid viscosity we recommend to use our selection software available on www.mpfiltri.com.

You can also calculate the right size using the formulas present on the FILTER SIZING paragraph at the beginning of the full catalogue or at the beginning of the filter family brochure.

Please, contact our Sales Department for further additional information.

Filter series	00 - without bypass	03 - with bypass
STRC	•	•
MPAC	•	-

OUT

IN

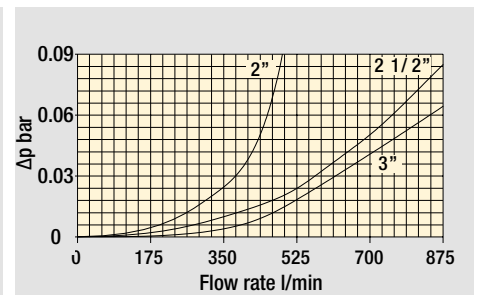
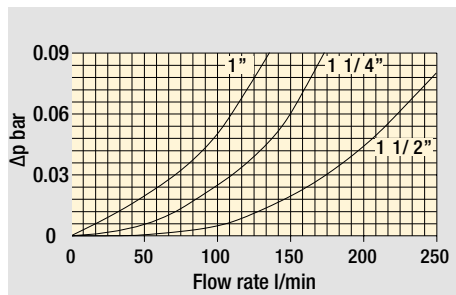
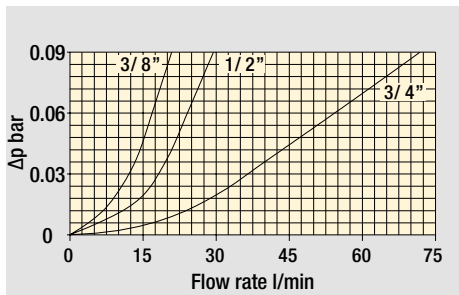
OUT

IN

Hydraulic symbols

Pressure drop

Filters pressure drop Δp in function of connection type



The curves are plotted using mineral oil with density of 0.86 kg/dm³ in compliance with ISO 3968. Δp varies proportionally with density.

Maximum total pressure drop (Δp max) allowed by a new and clean filter

Filter family	Δp max	
Suction	0.08 bar	1.15 psi

COMPLETE FILTER

Series	Example 1:	STRC	045	10	M0060	A	N	03	FG038	0	ON	NN	P01	NN
STRC	Example 2:	STRC	100	20	M0250	A	N	00	FN200	0	ON	NN	P01	NN

Size	
045	086
050	100
065	140
070	150

Length	Size:	045	050	065	070	086	100	140	150
10		•	•	•	•	•	•	•	•
20		-	-	•	•	•	•	•	•
30		-	-	-	-	•	-	•	•
40		-	-	-	-	-	-	•	-

Filtration rating (filter media)	
M0025	Wire mesh 25 µm
M0060	Wire mesh 60 µm
M0090	Wire mesh 90 µm
M0250	Wire mesh 250 µm

Element Δp	
A	1 bar

Seals and treatments	
N	Without seals

Bypass	
00	Without bypass
03	With bypass 30 kPa (0.3 bar)

Connection type	
FG	Thread ISO 1179-2 (GAS)
FN	Thread ANSI/ASME B 1.20.1 (NPT)

Nominal thread																			
	Size:	045	050	065	070	086	100	140	150										
	Length	10	10	10	20	10	20	10	20	30	10	20	10	20	30	40	10	20	30
038	3/8"	•	•	-	-	-	-	-	-	-	-	-	-	-	-	-	-	-	-
012	1/2"	•	•	•	-	•	•	-	-	-	-	-	-	-	-	-	-	-	-
034	3/4"	-	-	•	•	•	•	-	-	-	-	-	-	-	-	-	-	-	-
100	1"	-	-	-	•	-	•	-	-	-	-	-	-	-	-	-	-	-	-
114	1 1/4"	-	-	-	-	-	-	-	-	•	•	-	-	-	-	-	-	-	-
112	1 1/2"	-	-	-	-	-	-	•	•	•	•	•	-	-	-	-	-	-	-
200	2"	-	-	-	-	-	-	•	•	•	-	•	•	•	-	-	•	-	-
212	2 1/2"	-	-	-	-	-	-	-	-	-	-	-	-	-	•	-	-	•	-
300	3"	-	-	-	-	-	-	-	-	-	-	-	-	-	•	•	-	•	•

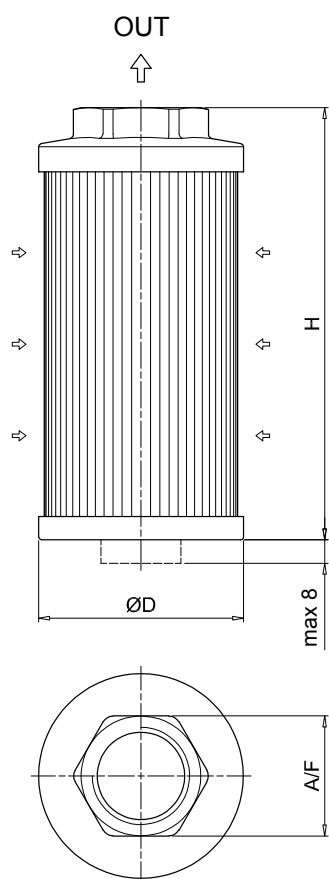
Additional connections	
0	Without additional connections

Connections for clogging indicators	
ON	Without connection

Additional features	
NN	Without additional features

Version	
P01	Standard catalogue item

Certificates	
NN	Without certificates



STRC							
Size	ØD [mm]	Length	Nominal thread		H [mm]	A / F [mm]	Weight [kg]
045	46	10	3/8"	1/2"	105	30	0.19
050	52	10	3/8"	1/2"	79		0.11
065	65	10	1/2"	3/4"	110	41	0.22
		20	3/4"	1"	144		0.24
070	70	10	1/2"	3/4"	95		0.18
		20	1/2"	3/4"	1"		141
086	86	10	1 1/2"	2"	143	69	0.33
		20	1 1/2"	2"	201		0.43
		30	1 1/2"	2"	261		0.53
100	99	10	1 1/4"	1 1/2"	137		0.47
		20	1 1/4"	1 1/2"	2"		227
140	130	10	1 1/2"	2"	160		101
		20	2"		262	0.94	
		30	2 1/2"	3"	272	1.10	
		40	3"		330	1.17	
150	150	10	2"		150	70	0.34
		20	2 1/2"		212	90	0.37
		30	3"		272	100	0.40

Designation & Ordering code

COMPLETE FILTER

Series	Example 1:	MPAC	070	10	M0060	A	N	00	FG034	0	ON	NN	P01	NN
MPAC	Example 2:	MPAC	140	30	M0250	A	N	00	FN300	0	ON	MA	P01	NN

Size

050
070
100
140

Length

Size:	050	070	100	140
10	•	•	•	•
20	-	•	•	•
30	-	-	-	•

Filtration rating (filter media)

M0025	Wire mesh	25 µm	M0090	Wire mesh	90 µm
M0060	Wire mesh	60 µm	M0250	Wire mesh	250 µm

Element Δp

A	1 bar
---	-------

Seals and treatments

N	Without seals
---	---------------

Bypass

00	Without bypass
----	----------------

Connection type

FG	Thread ISO 1179-2 (GAS)
FN	Thread ANSI/ASME B 1.20.1 (NPT)

Nominal thread

Length	Size:	050		070		100		140	
		10	10	20	10	20	10	20	30
038	3/8"	•	-	-	-	-	-	-	-
012	1/2"	•	•	-	-	-	-	-	-
034	3/4"	-	•	•	-	-	-	-	-
100	1"	-	-	•	•	-	-	-	-
114	1 1/4"	-	-	-	•	•	-	-	-
112	1 1/2"	-	-	-	-	•	•	-	-
200	2"	-	-	-	-	-	•	•	•
212	2 1/2"	-	-	-	-	-	-	•	-
300	3"	-	-	-	-	-	-	-	•

Additional connections

0	Without additional connections
---	--------------------------------

Connections for clogging indicators

ON	Without connection
----	--------------------

Additional features

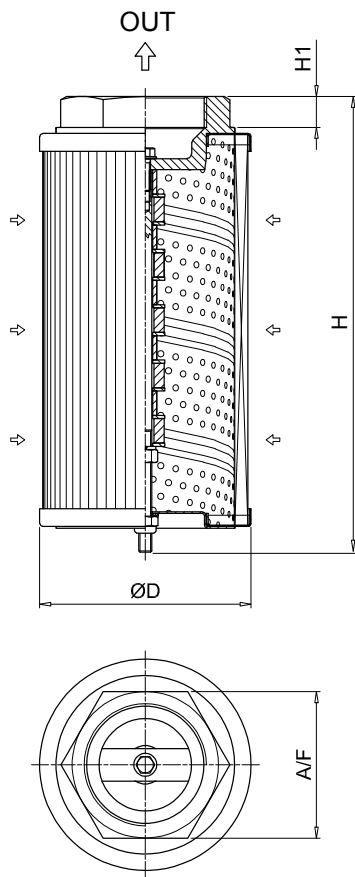
NN	Without additional features
MA	With magnetic filter

Version

P01	Standard catalogue item
-----	-------------------------

Certificates

NN	Without certificates
----	----------------------



MPAC									
Size	ØD [mm]	Length	Nominal thread	H [mm]	H1 [mm]	A/F [mm]	Weight [kg]		
050	50	10	3/8"	98	16	28	0.17		
			1/2"	113			0.27		
070	70	10	3/4"	115	18	42	0.36		
		20	160	0.39					
		1"	145	0.54					
100	99	10	1 1/4"	148	20	60	0.63		
		20	239	0.95					
		1 1/2"	174	0.91					
140	136	10	2"	162	13	80	1.00		
		20	272	1.60					
		30	2 1/2"	281			20	90	1.67
			2"	322			13	80	1.60
			3"	335			22	106	1.93



THE **X** CONCEPT FOR OUR FILTERS

Protect the performance of your system with MYclean.
Quality and efficiency are fundamental for MP Filtri:
this exclusive new filter element possesses polygon shape geometry and specific seal
that ensures only original spare parts can be used - ensuring correct operation and
higher system reliability.

SFEX series

with **MYCLEAN** FEX Filter Element



- **Protects the machine from improper use of non-original products.**
- **Safety of constant quality protection & reliability**

With exclusive filter element you are sure that only MP Filtri filter elements can be used, ensuring the best cleaning level of the oil due to the use of originals filter elements.



The products identified as SFEX are protected by:

- Italian Patent n° 102014902261205
- Canadian Patent n° 2,937,258
- European Patent n° 3 124 092 B1
- US Patent n° 20170030384 A1

SFEX series

Flow rate up to 100 l/min



Description

Technical data

Suction filters

Flow rate up to 100 l/min

SFEX are range of suction filters for protection of the downstream pump against the coarse contamination.

They are placed below the minimum oil level, directly connected to the suction line of the pump in-line mounted.

Available features:

- Female threaded connections up to 1 1/4" and SAE connections up to 1 5/8", for a maximum flow rate of 100 l/min
- Bypass valve, to relieve excessive pressure drop across the filter media
- Visual, electrical, axial and radial vacuum gauges
- MYclean interface connection for the filter element, to protect the product against non-original spare parts
- External protective wrap, to optimize the flow through the element and to save the element efficiency against non-proper handling

Common application:

- Mobile machines
- Industrial equipment

Filter housing materials

- Head: Aluminium
- Bypass valve: Polyamide - Steel
- Bowl: Polyamide

Bypass valve

Opening pressure 30 kPa (0.3 bar) \pm 10%

Elements

Fluid flow through the filter element from OUT to IN

Seals

Standard NBR series A

Temperature

From -25 °C to +110 °C

Note

SFEX filters are provided for vertical mounting

Weights [kg] and volumes [dm³]

Filter series	Weights [kg]		Volumes [dm ³]			
	Length	1	2	Length	1	2
SFEX 060		1.00	1.15		0.60	0.80
SFEX 110		1.90	2.10		1.60	2.00

Flow rates [l/min]

		Filter element design - N Series				
Filter series	Length	M0060	M0090	M0250	P0010	P0025
SFEX 060	10	31	33	33	13	20
	20	34	35	35	24	30

		Filter element design - N Series				
Filter series	Length	M0060	M0090	M0250	P0010	P0025
SFEX 110	10	93	96	96	48	53
	20	98	99	99	60	65

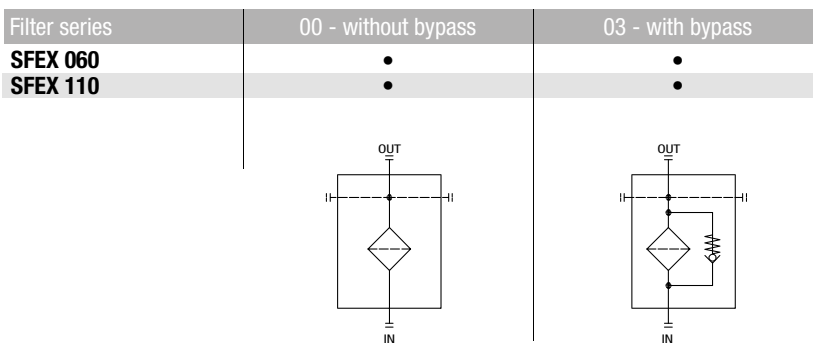
Maximum flow rate for a complete suction filter with a pressure drop $\Delta p = 0.08$ bar.

The reference fluid has a kinematic viscosity of 30 mm²/s (cSt) and a density of 0.86 kg/dm³.

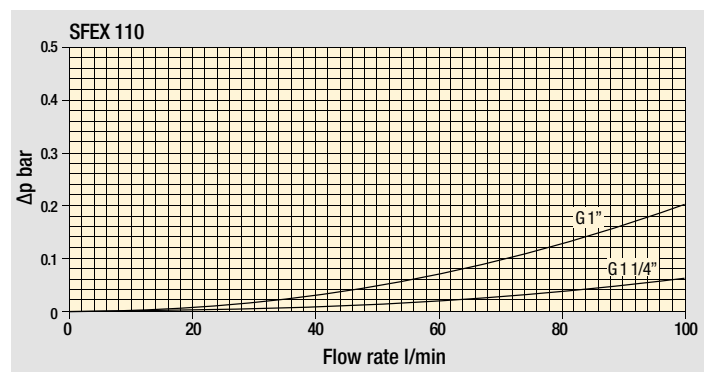
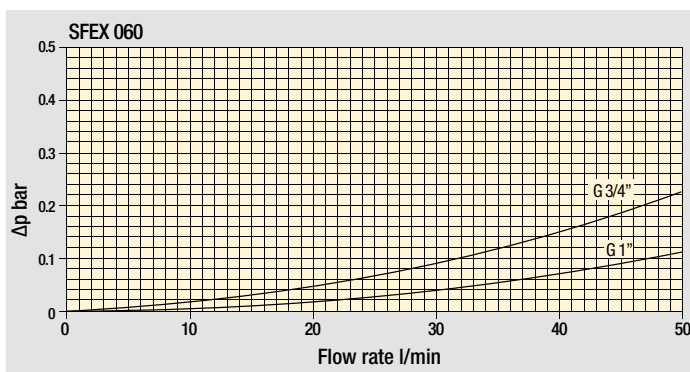
For different pressure drop or fluid viscosity we recommend to use our selection software available on www.mpfiltri.com.

Please, contact our Sales Department for further additional information.

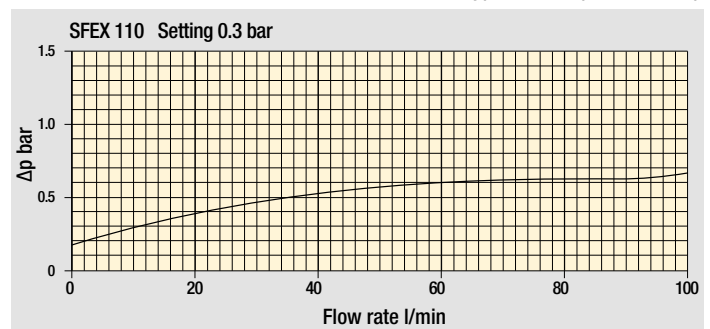
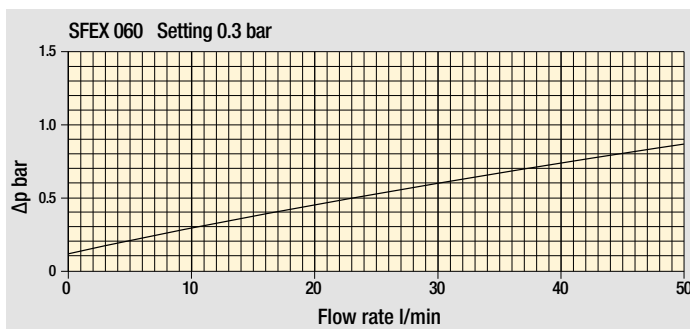
Hydraulic symbols



Pressure drop Filter housings Δp pressure drop



Bypass valve pressure drop



The curves are plotted using mineral oil with density of 0.86 kg/dm³ in compliance with ISO 3968. Δp varies proportionally with density.

Corrective factors "Y" for filter element Δp calculation

Filter element	Length	Nominal filtration Collapse ΔP : A = 1 bar					
		P0010	P0025	M0025	M0060	M0090	M0250
FEX 060	10	4.58	3.22	1.02	0.89	0.63	0.63
	20	1.97	1.38	0.62	0.45	0.29	0.29
FEX 110	10	1.33	1.12	0.22	0.18	0.14	0.14
	20	0.90	0.76	0.15	0.10	0.09	0.09

See page 22 for the complete information regarding filter element Δp calculation.


Maximum total pressure drop (Δp max) allowed by a new and clean filter

Filter family	Δp max	
Suction	0.08 bar	1.15 psi

SFEX SFEX060 - SFEX110

Designation & Ordering code

COMPLETE FILTER

Series	Example 1:	SFEX	060	10	M0060	C	A	03	FG034	0	6T	NN	P01	NN	
SFEX	Filter featuring 	Example 2:	SFEX	110	20	M0060	C	A	00	FS016	0	6T	NN	P01	NN
Size															
060															
110															
Length															
10															
20															
Filtration rating (filter media)															
M0025 Wire mesh 25 µm	P0010 Resin-impregnated paper 10 µm														
M0060 Wire mesh 60 µm	P0025 Resin-impregnated paper 25 µm														
M0090 Wire mesh 90 µm															
M0250 Wire mesh 250 µm															
Element Δp															
C 8 bar															
Seals and treatments															
A NBR															
Bypass															
00 Without bypass															
03 With bypass 30 kPa (0.3 bar)															
Connections															
	060	110		060	110		060	110							
FG034 G 3/4"	•	-	FN034 3/4" NPT	•	-	FS012 SAE 12 - 1 1/16" - 12 UN	•	-							
FG100 G 1"	•	•	FN100 1" NPT	•	•	FS016 SAE 16 - 1 5/16" - 12 UN	•	•							
FG114 G 1 1/4"	-	•	FN114 1 1/4" NPT	-	•	FS020 SAE 20 - 1 5/8" - 12 UN	-	•							
Additional connections															
0 Without additional connections															
Connections for clogging indicators															
6T With both side indicator connections, with metal plugs															
Additional features															
NN Without additional features															
Version															
P01 Standard catalogue item															
Certificates															
NN None															

CLOGGING INDICATORS

See page 719

VEB Electrical vacuum indicator

VVB Axial pressure gauge

VLB Electrical / visual vacuum indicator

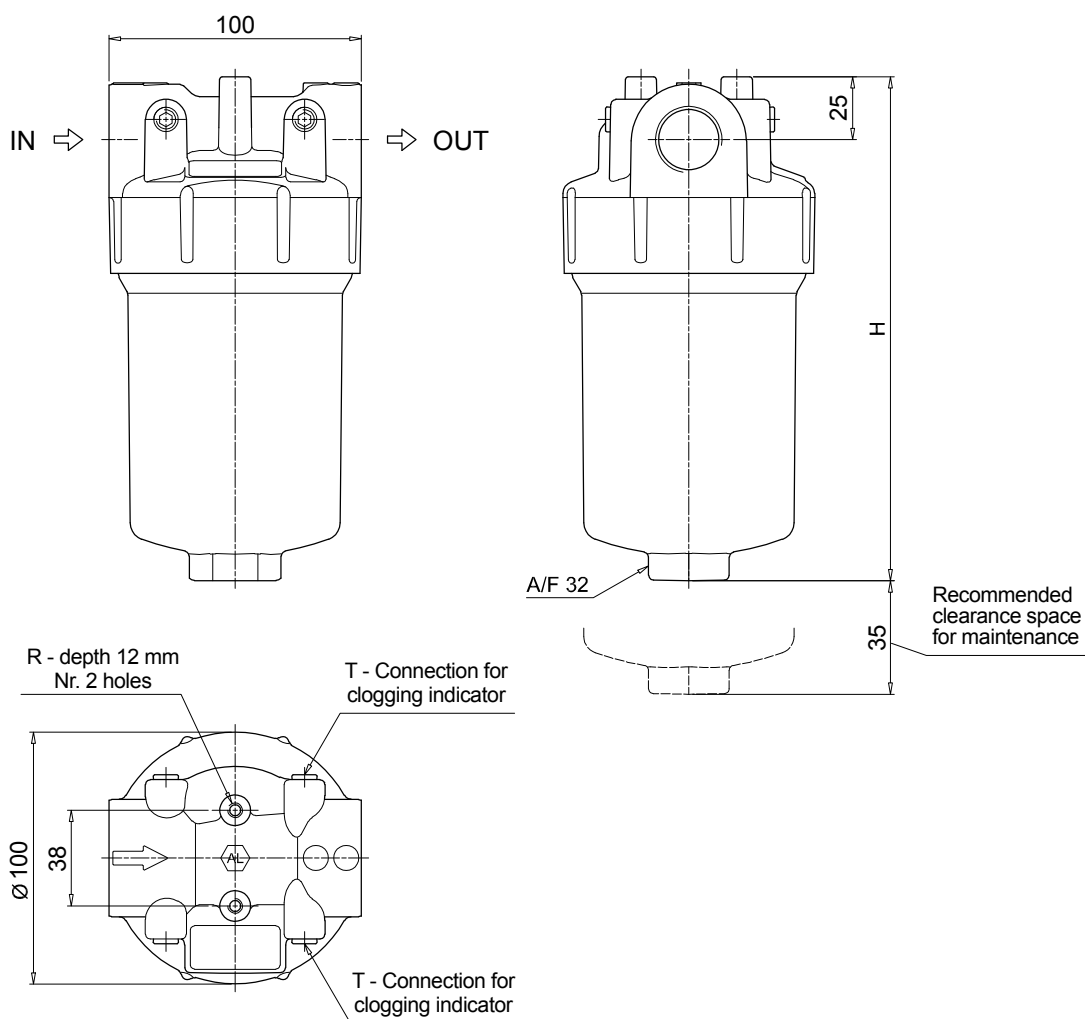
VVS Radial pressure gauge

FILTER ELEMENT										
Series	Example 1: FEX 060 10 M0060 C A 00 NN P01 NN									
FEX Filter element with MYCLEAN feature	Example 2: FEX 110 20 M0060 C A 00 NN P01 NN									
Size										
060										
110										
Length										
10										
20										
Filtration rating (filter media)										
M0025 Wire mesh 25 µm	P0010 Resin-impregnated paper 10 µm									
M0060 Wire mesh 60 µm	P0025 Resin-impregnated paper 25 µm									
M0090 Wire mesh 90 µm										
M0250 Wire mesh 250 µm										
Element Δp										
C 8 bar										
Seals and treatments										
A NBR										
Bypass										
00 Without bypass										
Additional features										
NN Without										
Version										
P01 Standard catalogue item										
Certificates										
NN None										

Dimensions

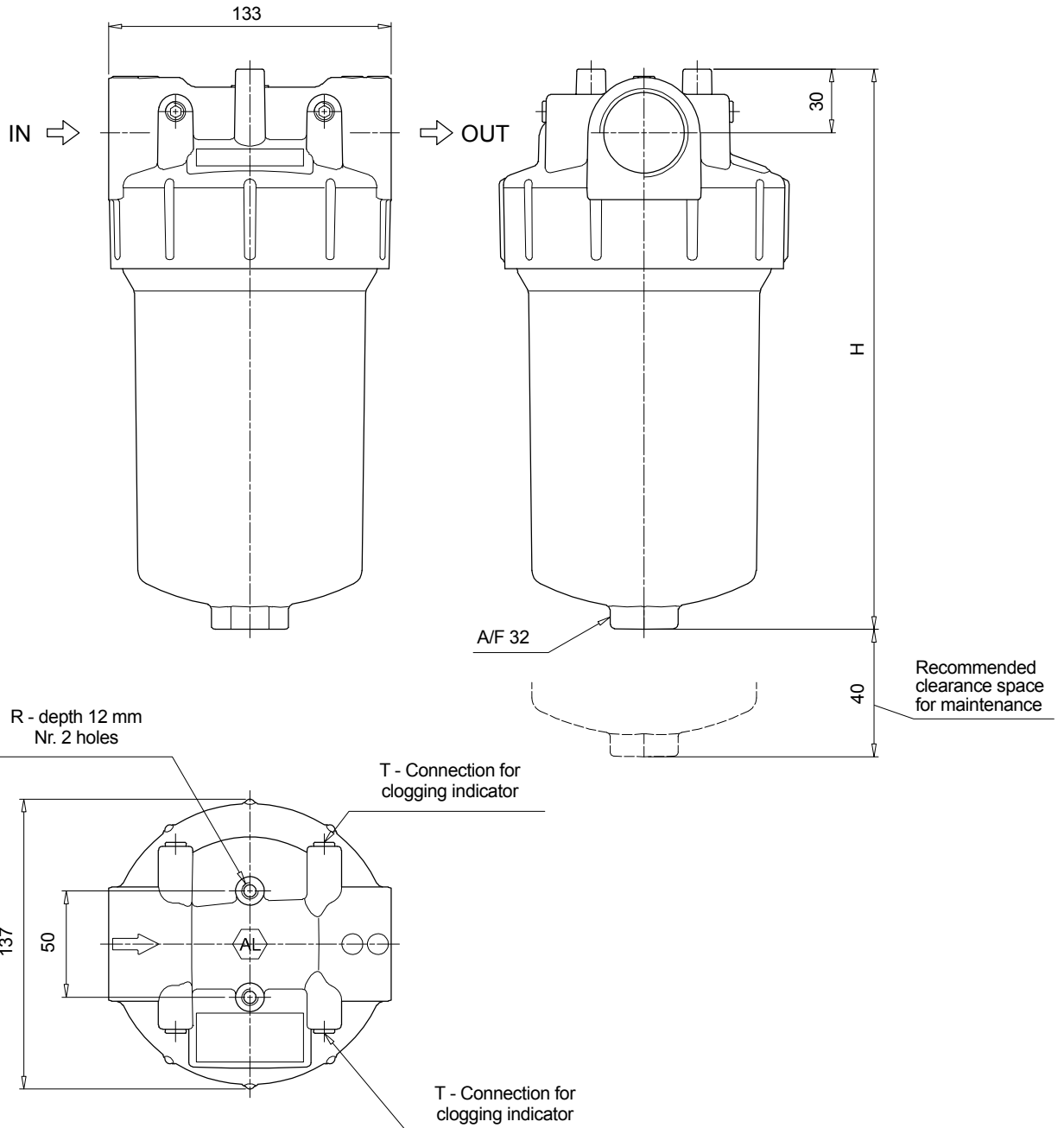
Filter length	H [mm]
10	202
20	265

Connections	T	R
FG034	G 1/8"	M6
FG100	G 1/8"	M6
FN034	1/8" NPT	1/4" UNC
FN100	1/8" NPT	1/4" UNC
FS012	1/8" NPT	1/4" UNC
FS016	1/8" NPT	1/4" UNC



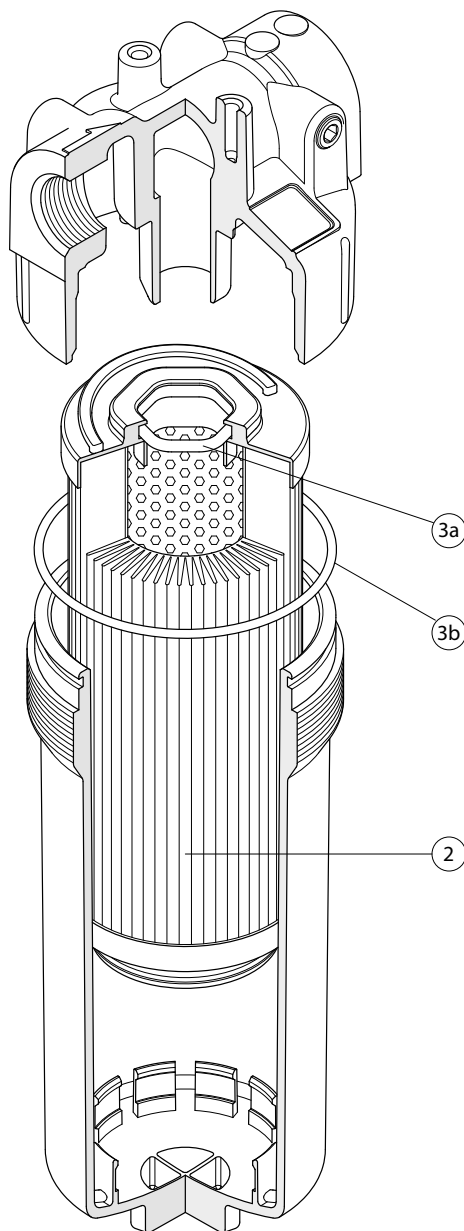
Filter length	H [mm]
10	266
20	315

Connections	T	R
FG100	G 1/8"	M8
FG114	G 1/8"	M8
FN100	1/8" NPT	5/16" UNC
FN114	1/8" NPT	5/16" UNC
FS016	1/8" NPT	5/16" UNC
FS020	1/8" NPT	5/16" UNC



SFEX SPARE PARTS

Order number for spare parts



Item:	Q.ty: 1 pc.	Q.ty: 1 pc.
	2	3 (3a ÷ 3b)
Filter series	Filter element	Seal Kit code number NBR
SFEX 060	See order table	02050771
SFEX 110		02050772

SFMC 250 series

Flow rate up to 160 l/min



SFMC 250 GENERAL INFORMATION

Description

Technical data

Suction filters

Flow rate up to 160 l/min

SFMC 250 is a range of suction filters with integrated shut-off valve for protection of the downstream pump against the coarse contamination.

They are placed below the minimum oil level, directly connected to the suction line of the pump.

They can be fitted on the side or below the tank, allowing a more flexible design of the tank.

The shut-off valve closes automatically when the cover is removed, allowing the filter element replacement without the fluid drop.

Available features:

- Female threaded connections up to 1" and flanged connections up to 1 1/2", for a maximum flow rate of 160 l/min
- Multiple connections, to connect several suction lines
- Bypass valve, to relieve excessive pressure drop across the filter media
- Magnetic filter, to hold the ferrous particles
- Visual, electrical and electronic clogging indicators

Common application:

- Mobile machines
- Industrial equipment

Filter housing materials

- Filter body: Aluminium
- Cover: Polyamide, GF reinforced
- Valve: Polyamide, GF reinforced - Steel
- Anti-Emptying valve: Steel

Bypass valve

Opening pressure 30 kPa (0.3 bar) $\pm 10\%$

Elements

Fluid flow through the filter element from IN to OUT

Seals

- Standard NBR series A or W
- Optional FPM series V or Z

Temperature

From -25 °C to +110 °C

Note

SFMC 250 filters mounting, see the drawings on page 54 and following.

Weights [kg] and volumes [dm³]

Filter series	Weights [kg]	Volumes [dm ³]
SFMC 250	2.8	2.3
SFMC 250	2.8	2.4

Flow rates [l/min]

	Filter element design - N Series					
Filter series	M0025	M0060	M0090	M0250	P0010	P0025
SFMC 250	147	151	155	160	85	132

Maximum flow rate for a complete suction filter with a pressure drop $\Delta p = 0.08$ bar.

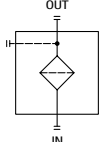
The reference fluid has a kinematic viscosity of 30 mm²/s (cSt) and a density of 0.86 kg/dm³.

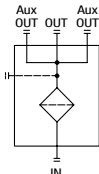
For different pressure drop or fluid viscosity we recommend to use our selection software available on www.mpfiltri.com.

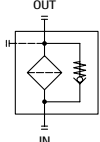
You can also calculate the right size using the formulas present on the FILTER SIZING paragraph at the beginning of the full catalogue or at the beginning of the filter family brochure. Please, contact our Sales Department for further additional information.

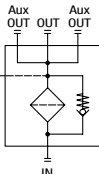
Hydraulic symbols

Filter series	0 - without additional connections	1 - with smaller additional connections	0 - without additional connections	1 - with smaller additional connections
SFMC 250 without bypass	•	•	-	-
SFMC 250 with bypass	-	-	•	•



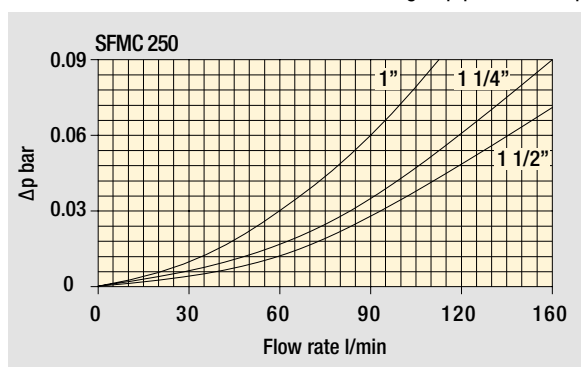




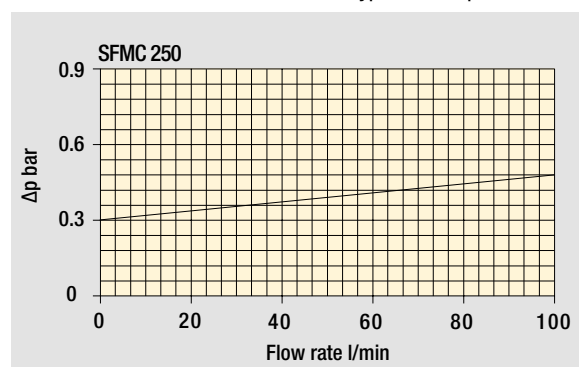


Pressure drop

Filter housings Δp pressure drop



Bypass valve pressure drop



The curves are plotted using mineral oil with density of 0.86 kg/dm³ in compliance with ISO 3968. Δp varies proportionally with density.

Corrective factors "Y" for filter element Δp calculation

Filter element		Nominal filtration Collapse ΔP : A = 1 bar					
Type	Length	P0010	P0025	M0025	M0060	M0090	M0250
SMC 250	10	0.65	0.20	0.10	0.08	0.05	0.03

See page 22 for the complete information regarding filter element Δp calculation.

Maximum total pressure drop (Δp max) allowed by a new and clean filter

Filter family	Δp max	
Suction	0.08 bar	1.15 psi

SFMC 250

Designation & Ordering code

COMPLETE FILTER

Series	Example 1:	SFMC	250	10	M0025	A	A	00	FF112	0	5T	MA	P01	NN
SFMC	Example 2:	SFMC	250	10	P0010	A	V	00	FG112	0	5T	NN	P01	NN

Size
250

Length
10

Filtration rating (filter media)	
M0025 Wire mesh 25 µm	P0010 Resin-impregnated paper 10 µm
M0060 Wire mesh 60 µm	P0025 Resin-impregnated paper 25 µm
M0090 Wire mesh 90 µm	
M0250 Wire mesh 250 µm	

Element Δp
A 1 bar

Seals and treatments	M0xxx	P0xxx
A NBR	•	•
V FPM	•	•
W NBR with filter housing and components surface treatment	•	-
Z FPM with filter housing and components surface treatment	•	-

Bypass
00 Without bypass
03 With bypass 30 kPa (0.3 bar)

Connections	
FG100 G 1"	FS016 SAE 16 - 1 5/16" - 12 UN
FG114 G 1 1/4"	FS020 SAE 20 - 1 5/8" - 12 UN
FG112 G 1 1/2" G 1"	FS024 SAE 24 - 1 7/8" - 12 UN SAE 16 - 1 5/16" - 12 UN
FN100 1" NPT	FE112 1 1/2" SAE 3000 psi/M
FN114 1 1/4" NPT	FF112 1 1/2" SAE 3000 psi/UNC
FN112 1 1/2" NPT	Available additional connections

Additional connections	FG112	FS024
0 Without additional connections	-	-
1 With smaller additional connections	G1"	SAE 16 - 1 5/16" - 12 UN

Connections for clogging indicators
5T With rear indicator connection, with metal plugs

Additional features
NN Without additional features
MA With magnetic filter

Version
P01 Standard catalogue item

Certificates
NN None

CLOGGING INDICATORS

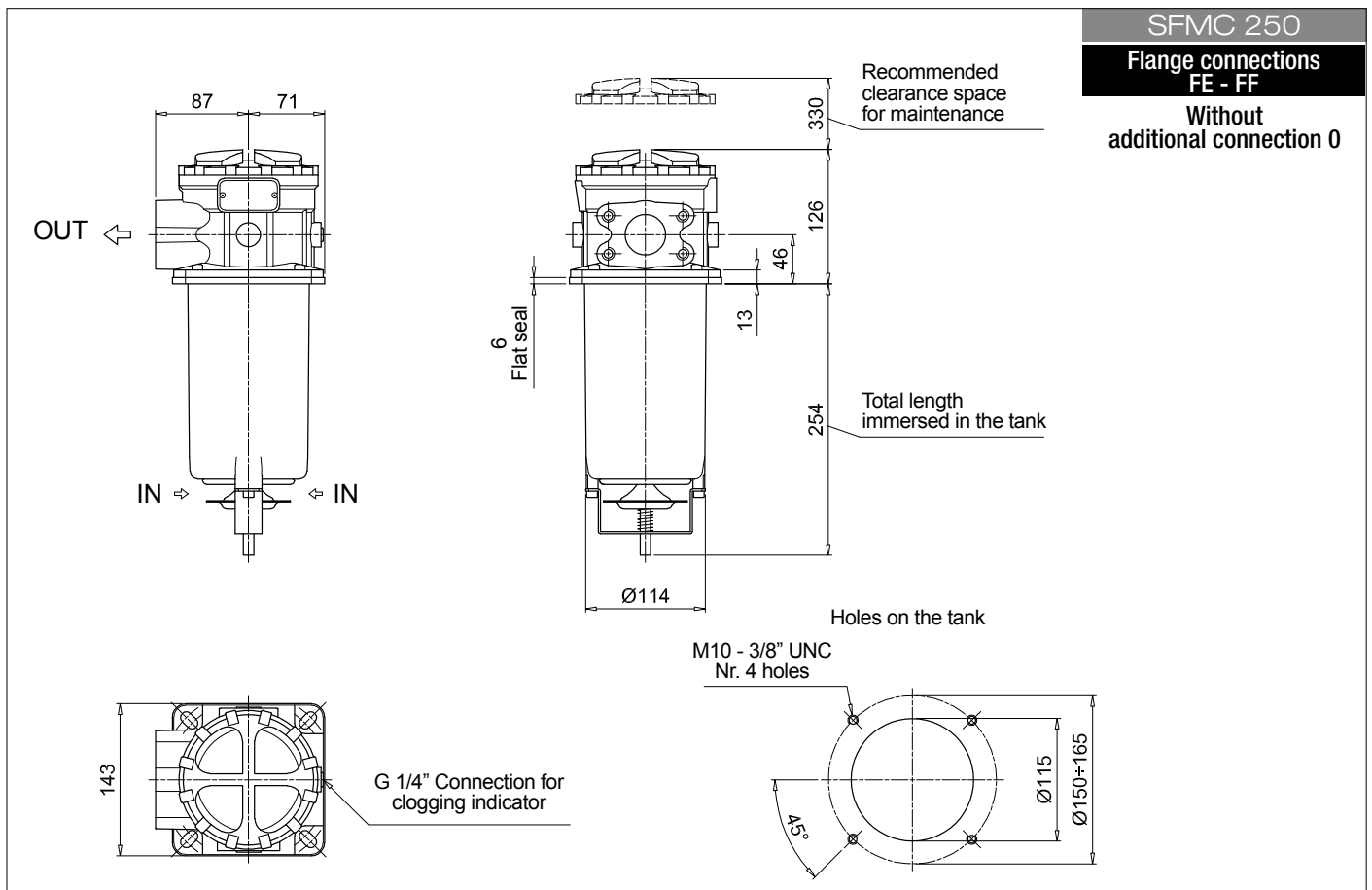
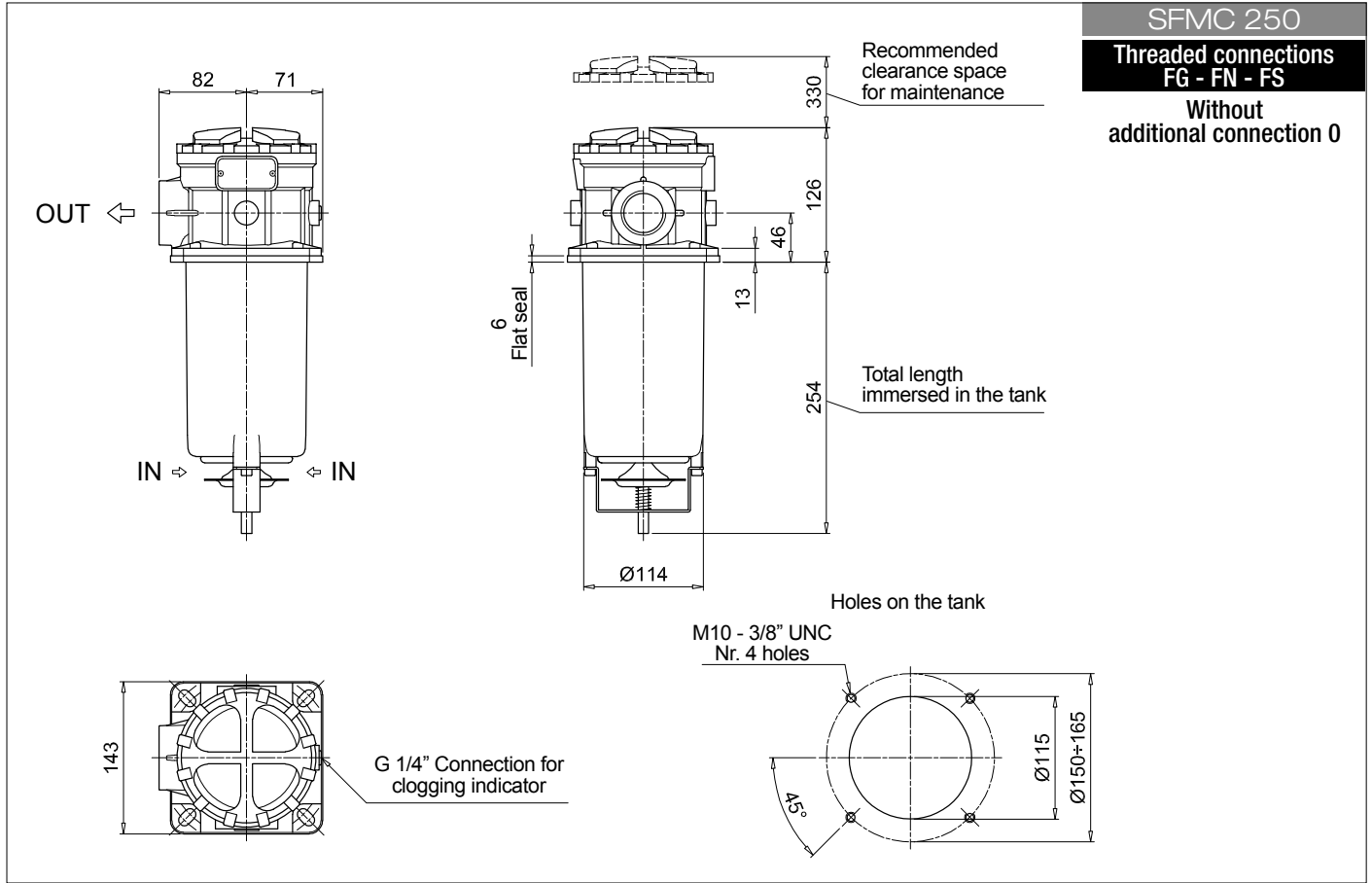
See page 719

VEA Electrical vacuum indicator	VVA Axial vacuum gauge
VLA Electrical / visual vacuum indicator	VVR Radial vacuum gauge

FILTER ELEMENT											
Series SMC	Example 1:	SMC	250	10	M0025	A	A	00	NN	P01	NN
	Example 2:	SMC	250	10	P0010	A	V	00	NN	P01	NN
Size 250											
Length 10											
Filtration rating (filter media)											
M0025 Wire mesh 25 µm					P0010 Resin-impregnated paper 10 µm						
M0060 Wire mesh 60 µm					P0025 Resin-impregnated paper 25 µm						
M0090 Wire mesh 90 µm											
M0250 Wire mesh 250 µm											
Element Δp A 1 bar											
Seals and treatments											
A NBR											
V FPM											
Bypass 00 Without bypass											
Additional features NN Without											
Version P01 Standard catalogue item											
Certificates NN None											

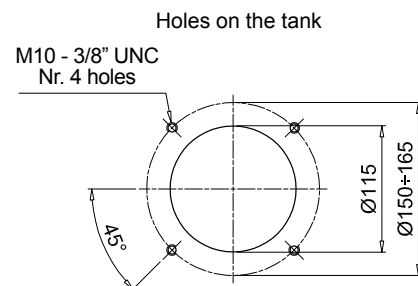
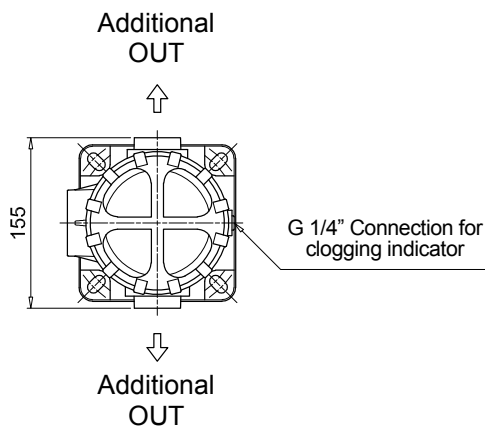
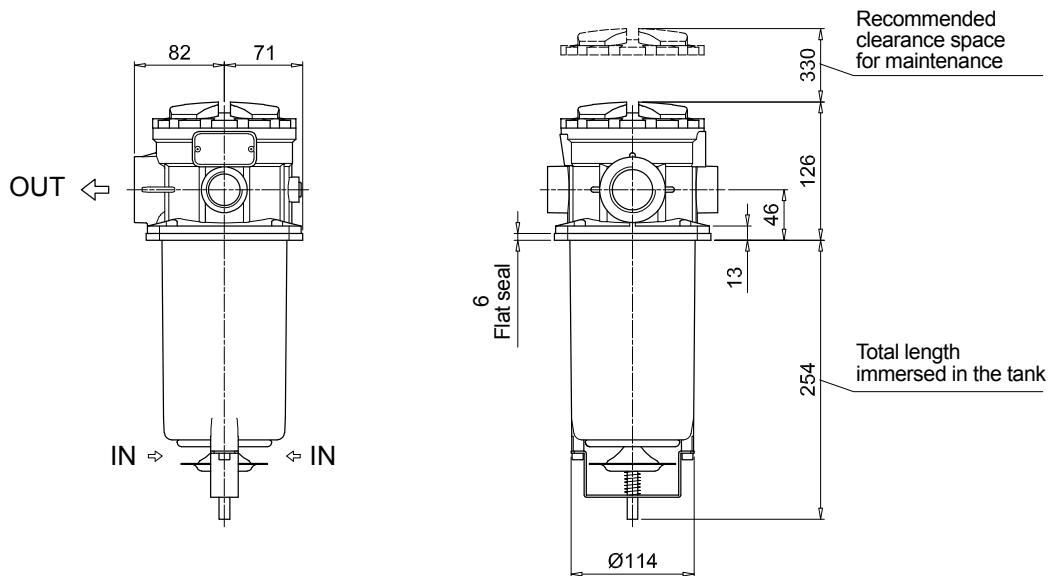
SFMC 250

Dimensions



SFMC 250

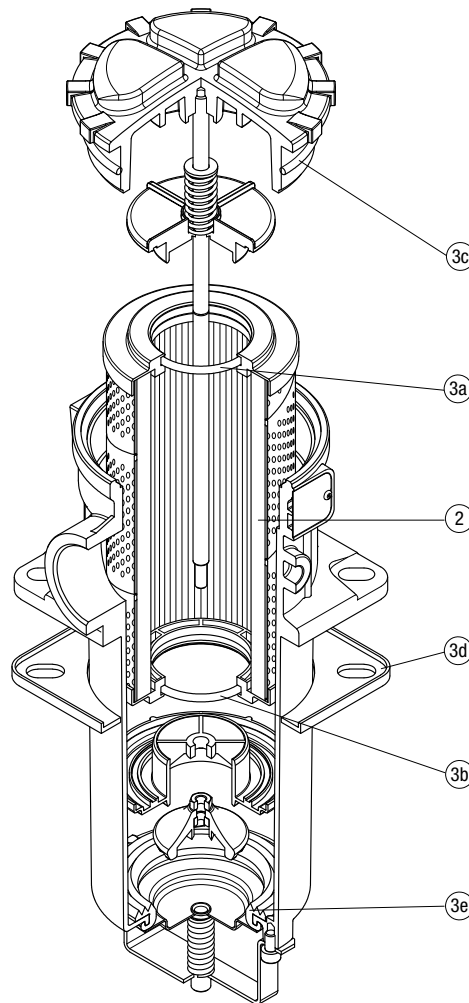
With
smaller additional
connection 1



SFMC 250 SPARE PARTS

Order number for spare parts

SFMC 250



Item:	Q.ty: 1 pc.	Q.ty: 1 pc.	
Filter series	Filter element	Seal Kit code number	
		NBR	FPM
SFMC 250	See order table	02050586	02050587

SFSC series

Flow rate up to 700 l/min



Description

Technical data

Suction filters

Flow rate up to 700 l/min

SFSC is a range of suction filters with integrated shut-off valve for protection of the downstream pump against the coarse contamination.

They are placed below the minimum oil level, directly connected to the suction line of the pump.

They can be fitted on the side or below the tank, allowing a more flexible design of the tank.

The shut-off valve closes automatically when the cover is removed, allowing the filter element replacement without the fluid drop.

Available features:

- Flanged connections up to 4", for a maximum flow rate of 700 l/min
- Optional hose fitting installed, to connect the suction line without the use of flanges
- Magnetic filter, to hold the ferrous particles
- Plastic and metal handle, to close the shut-off valve before the cover removal
- Electrical switch, to signal the closed shut-off valve
- Visual, electrical and electronic clogging indicators

Common application:

Industrial equipment

Filter housing materials

- Housing:
 - Anodized Aluminium
 - Steel (chemical heat treatment): only for SFSC 535 - 540
- Cover:
 - Anodized Aluminium
 - Steel (chemical heat treatment): only for SFSC 535 - 540
- Optional flange:
 - Anodized Aluminium

Elements

Fluid flow through the filter element from IN to OUT

Seals

- Standard NBR series A or W
- Optional FPM series V or Z

Temperature

From -25 °C to +110 °C

Note

SFSC filters mounting, see the drawings on page 66 and following

Weights [kg] and volumes [dm³]

Filter series	Weights [kg]	Volumes [dm ³]
SFSC 500	4.2	1.8
SFSC 503	6.2	2.9
SFSC 504	7.2	4.0
SFSC 505	4.3	1.6
SFSC 510	5.4	2.1
SFSC 535	16	4.4
SFSC 540	18.6	6.5

Flow rates [l/min]

Filter series	Filter element design - N Series	
	M0025	M0060 M0090 M0250
SFSC 500	219	234
SFSC 503	325	390
SFSC 504	484	543
SFSC 505	199	221
SFSC 510	259	282
SFSC 535	439	479
SFSC 540	644	688

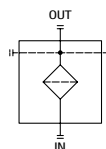
Maximum flow rate for a complete suction filter with a pressure drop $\Delta p = 0.08$ bar.

The reference fluid has a kinematic viscosity of 30 mm²/s (cSt) and a density of 0.86 kg/dm³.

For different pressure drop or fluid viscosity we recommend to use our selection software available on www.mpfiltri.com.

You can also calculate the right size using the formulas present on the FILTER SIZING paragraph at the beginning of the full catalogue or at the beginning of the filter family brochure. Please, contact our Sales Department for further additional information.

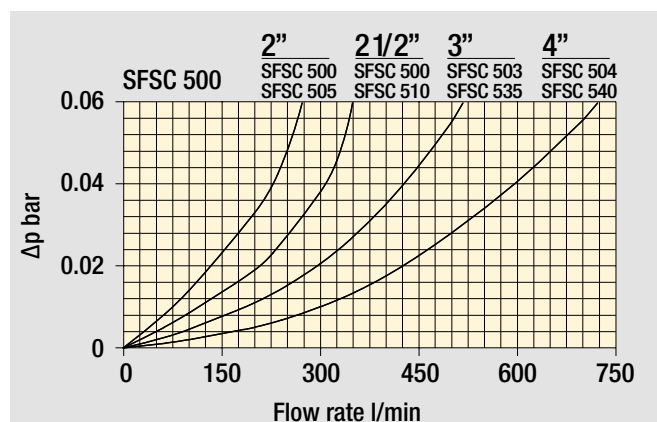
Hydraulic symbols



Filter series	
SFSC	•

PRESSURE DROP

Filter housings Δp pressure drop



The curves are plotted using mineral oil with density of 0.86 kg/dm³ in compliance with ISO 3968. Δp varies proportionally with density.

Corrective factors "Y" for filter element Δp calculation

Filter element	Length	Nominal filtration Collapse $\Delta P : A = 1$ bar					
		P0010	P0025	M0025	M0060	M0090	M0250
SSC 503	10	-	-	0.17	0.11	0.11	0.11
SSC 504	10	-	-	0.11	0.08	0.08	0.08
SSC 505	10	-	-	0.23	0.18	0.18	0.18
SSC 510	10	-	-	0.18	0.14	0.14	0.14
SSC 535	10	-	-	0.08	0.05	0.05	0.05
SSC 540	10	-	-	0.05	0.04	0.04	0.04

See page 22 for the complete information regarding filter element Δp calculation.

Maximum total pressure drop (Δp max) allowed by a new and clean filter

Filter family	Δp max	
Suction	0.08 bar	1.15 psi

Designation & Ordering code

COMPLETE FILTER

Series	Example 1:	SFSC	500	10	M0025	A	W	00	FE200	0	6T	MA	P01	NN
SFSC	Example 2:	SFSC	535	10	M0060	A	V	00	HB089	0	9T	MC	P01	NN

Size
500 | 503 | 504 | 505 | 510 | 535 | 540

Length
10

Filtration rating (filter media)

M0025 Wire mesh 25 µm	M0090 Wire mesh 90 µm
M0060 Wire mesh 60 µm	M0250 Wire mesh 250 µm

Element Δp
A 1 bar

Seals and treatments

A NBR
V FPM
W NBR with components surface treatment
Z FPM with components surface treatment

Bypass
00 Without bypass

Connections		500	505	510	503-535	504-540	500	505	510	503-535	504-540
FE200 2" SAE 3000 psi/M		•	•	-	-	-	•	•	-	-	-
FE212 2 1/2" SAE 3000 psi/M		•	-	•	-	-	•	-	-	-	-
FE300 3" SAE 3000 psi/M		-	-	-	•	-	-	-	-	•	-
FE400 4" SAE 3000 psi/M		-	-	-	-	•	-	-	-	-	•
FF200 2" SAE 3000 psi/UNC		•	•	-	-	-	-	-	-	-	-
FF212 2 1/2" SAE 3000 psi/UNC		•	-	•	-	-	-	-	-	-	-
FF300 3" SAE 3000 psi/UNC		-	-	-	•	-	-	-	-	-	-
FF400 4" SAE 3000 psi/UNC		-	-	-	-	•	-	-	-	-	•
HB063 Hose barb Ø 63 mm		•	•	-	-	-	•	•	-	-	-
HB075 Hose barb Ø 75 mm		•	-	•	-	-	•	-	-	-	-
HB089 Hose barb Ø 89 mm		-	-	-	•	-	-	-	-	•	-
HB114 Hose barb Ø 114 mm		-	-	-	-	•	-	-	-	-	•

Additional connections
0 Without additional connections

Connections for clogging indicators	500-503-504-540	505-510-535
6T With both side indicator connections, with metal plugs	•	-
9T With multiple indicator connections, with metal plugs	-	•

Additional features	500-503-504	505-510-535-540
MA With magnetic filter	•	•
MB With magnetic filter + polyamide handwheel	•	-
MC With magnetic filter + microswitch	-	•
MD With magnetic filter + microswitch + polyamide handwheel	•	-
ME With magnetic filter + microswitch + steel handwheel	•	-

Version
P01 Standard catalogue item

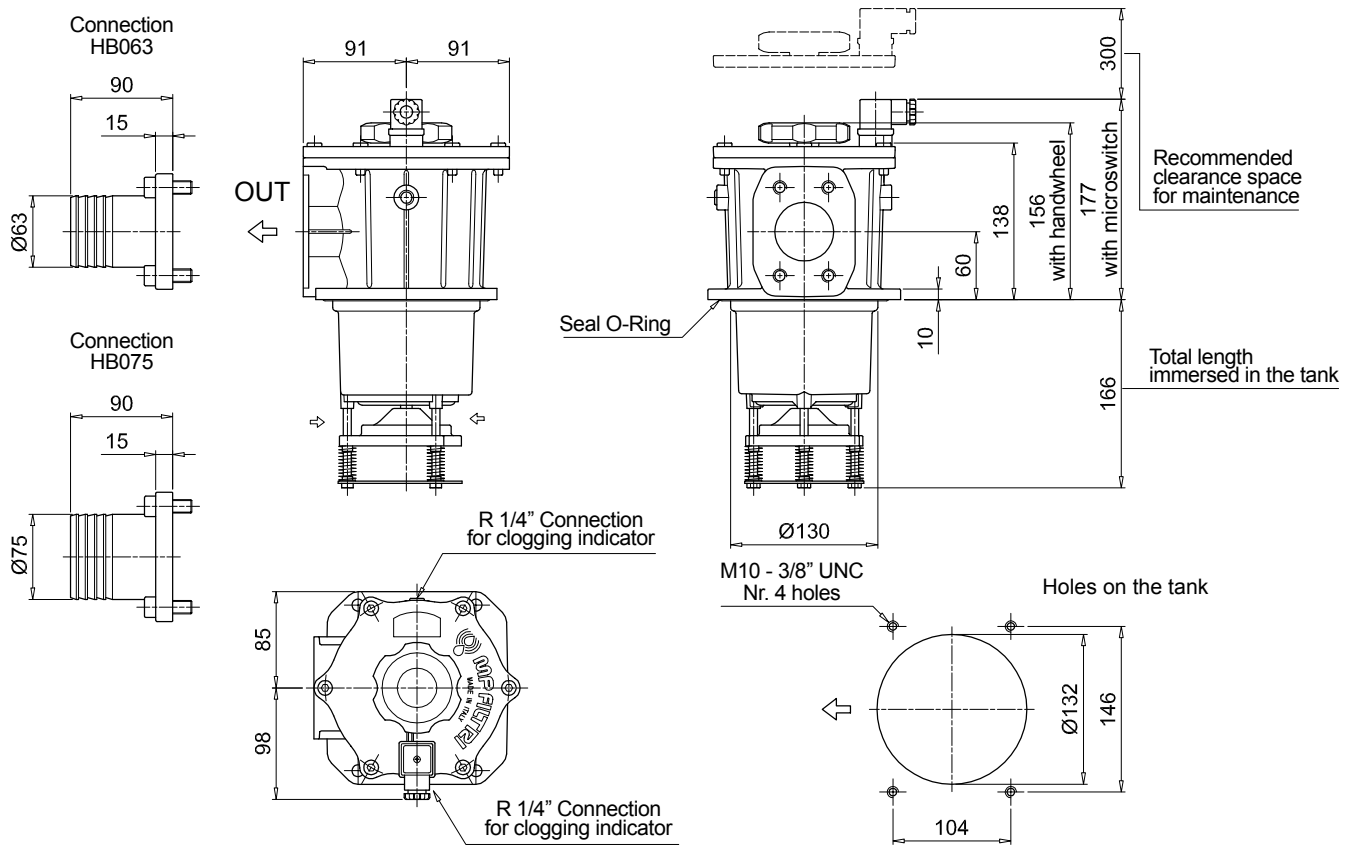
Certificates
NN None

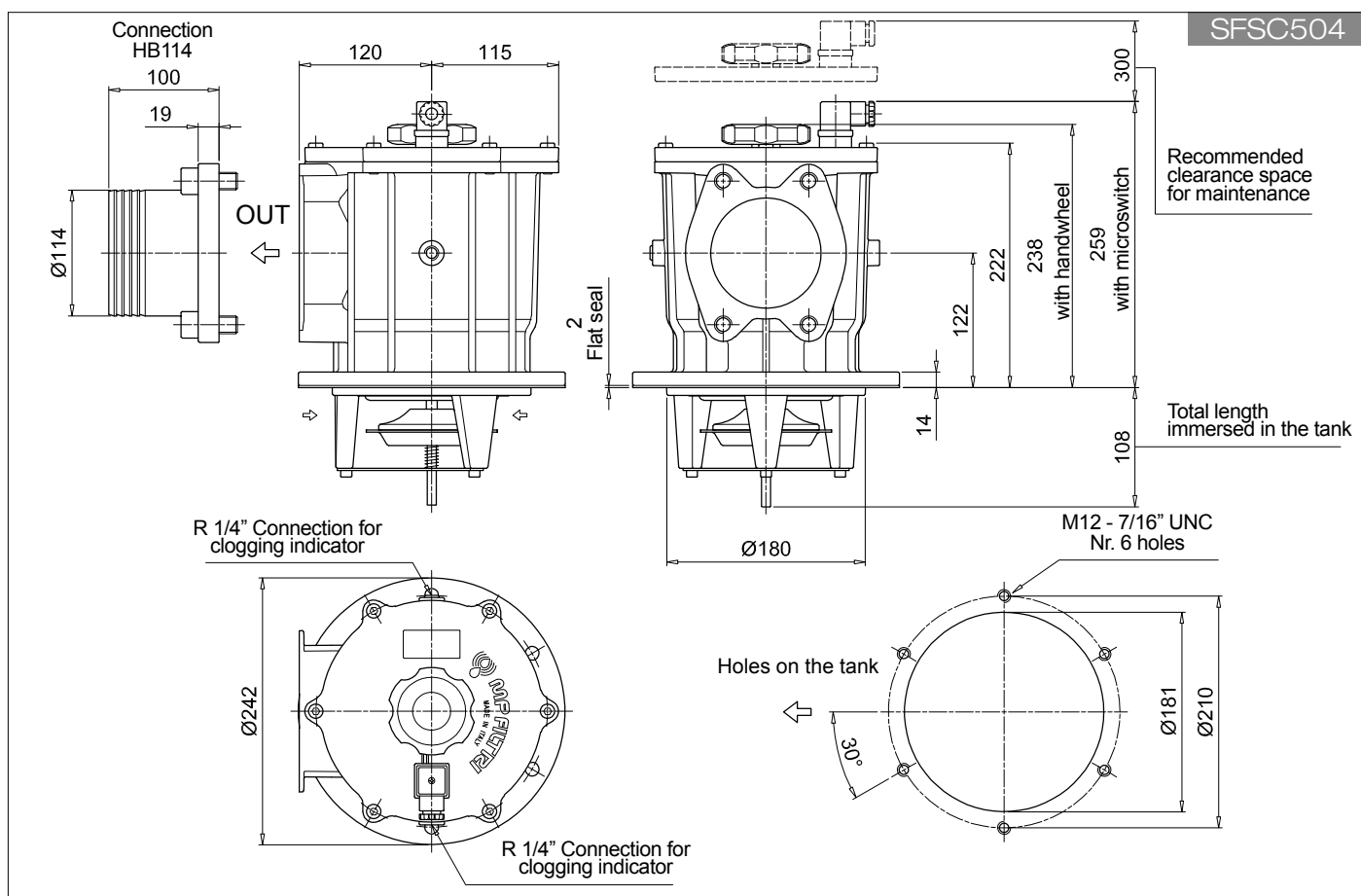
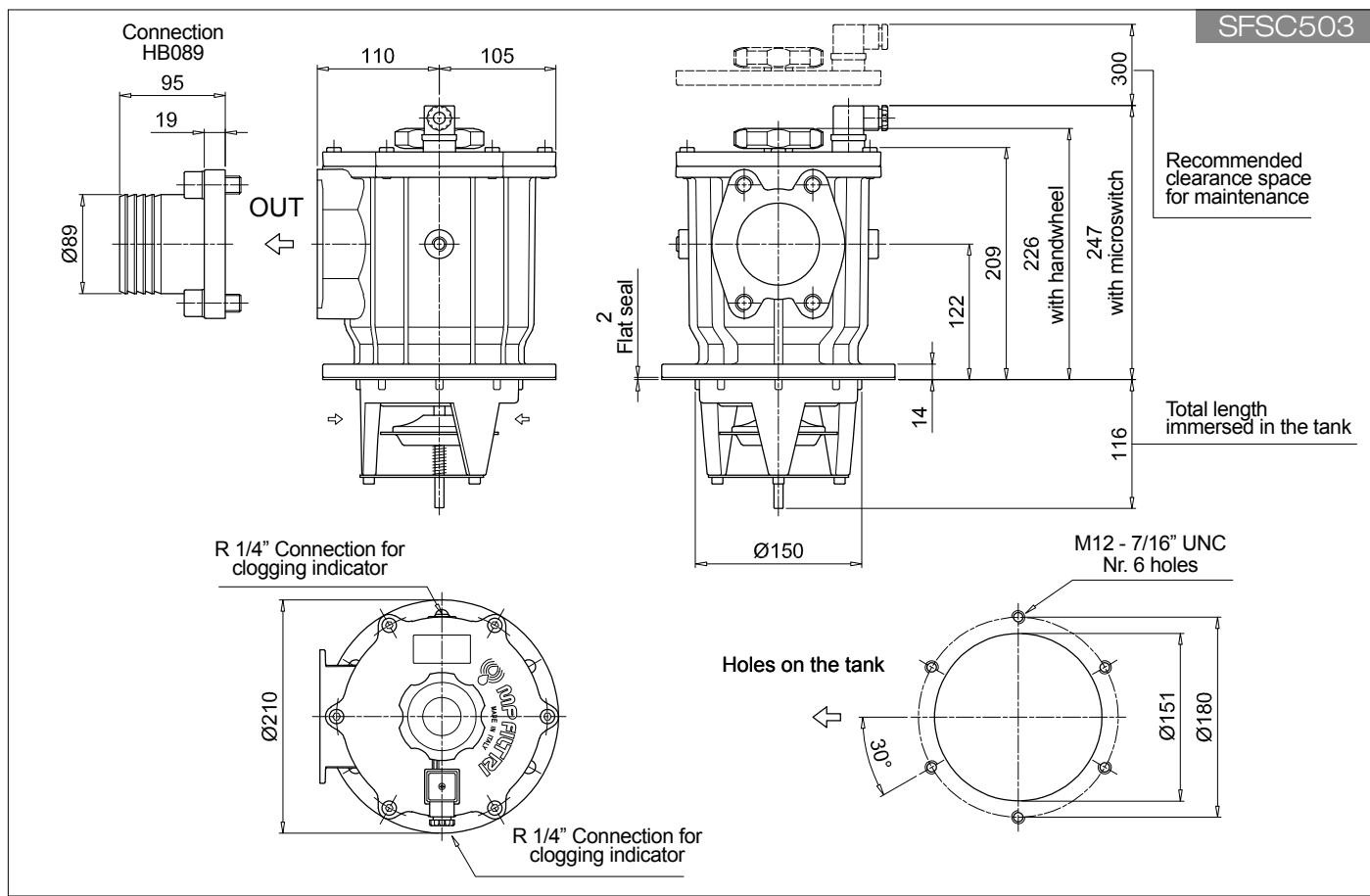
CLOGGING INDICATORS

See page 719

VEA Electrical vacuum indicator	VVA Axial vacuum gauge
VLA Electrical / visual vacuum indicator	VVR Radial vacuum gauge

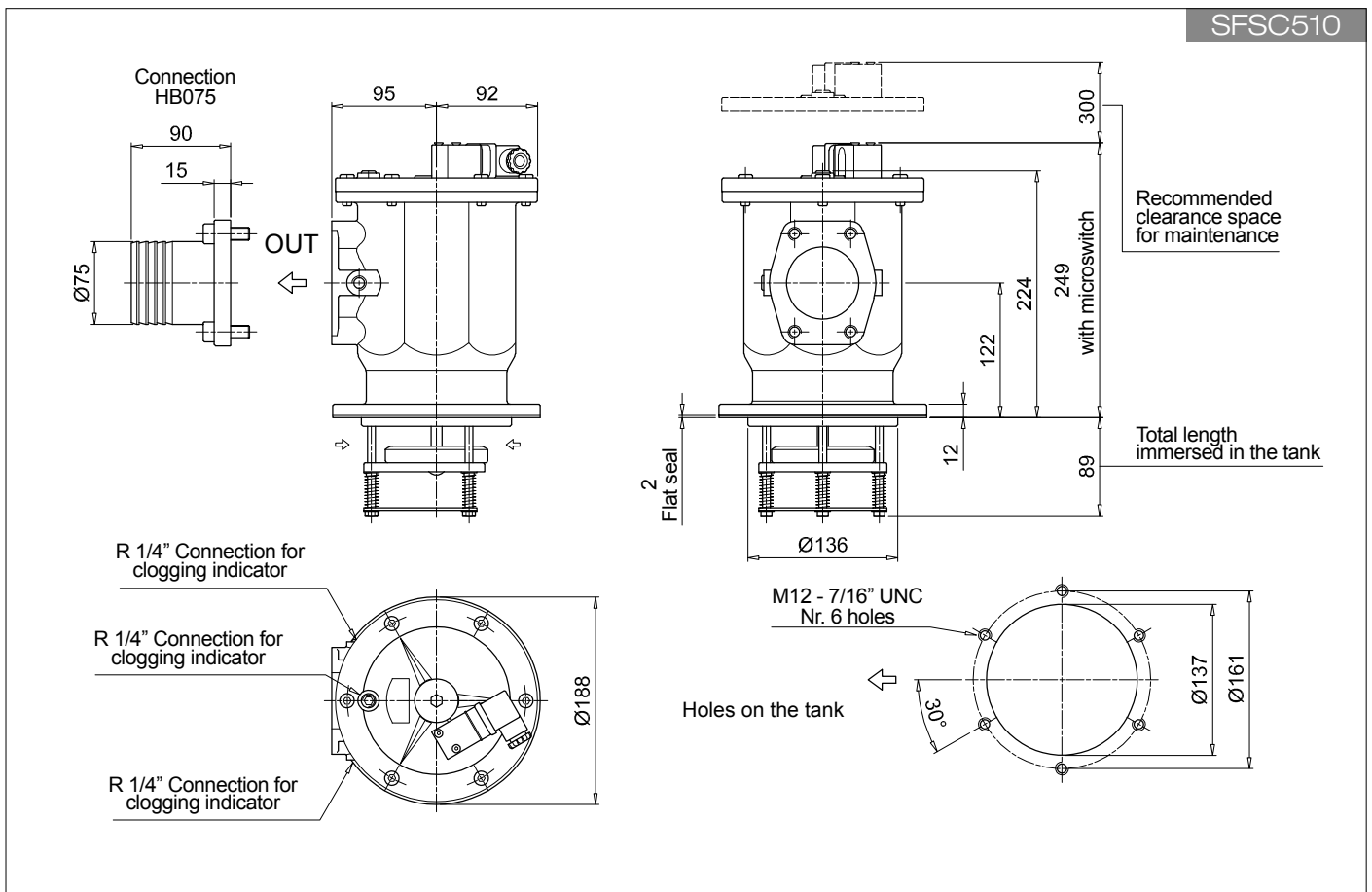
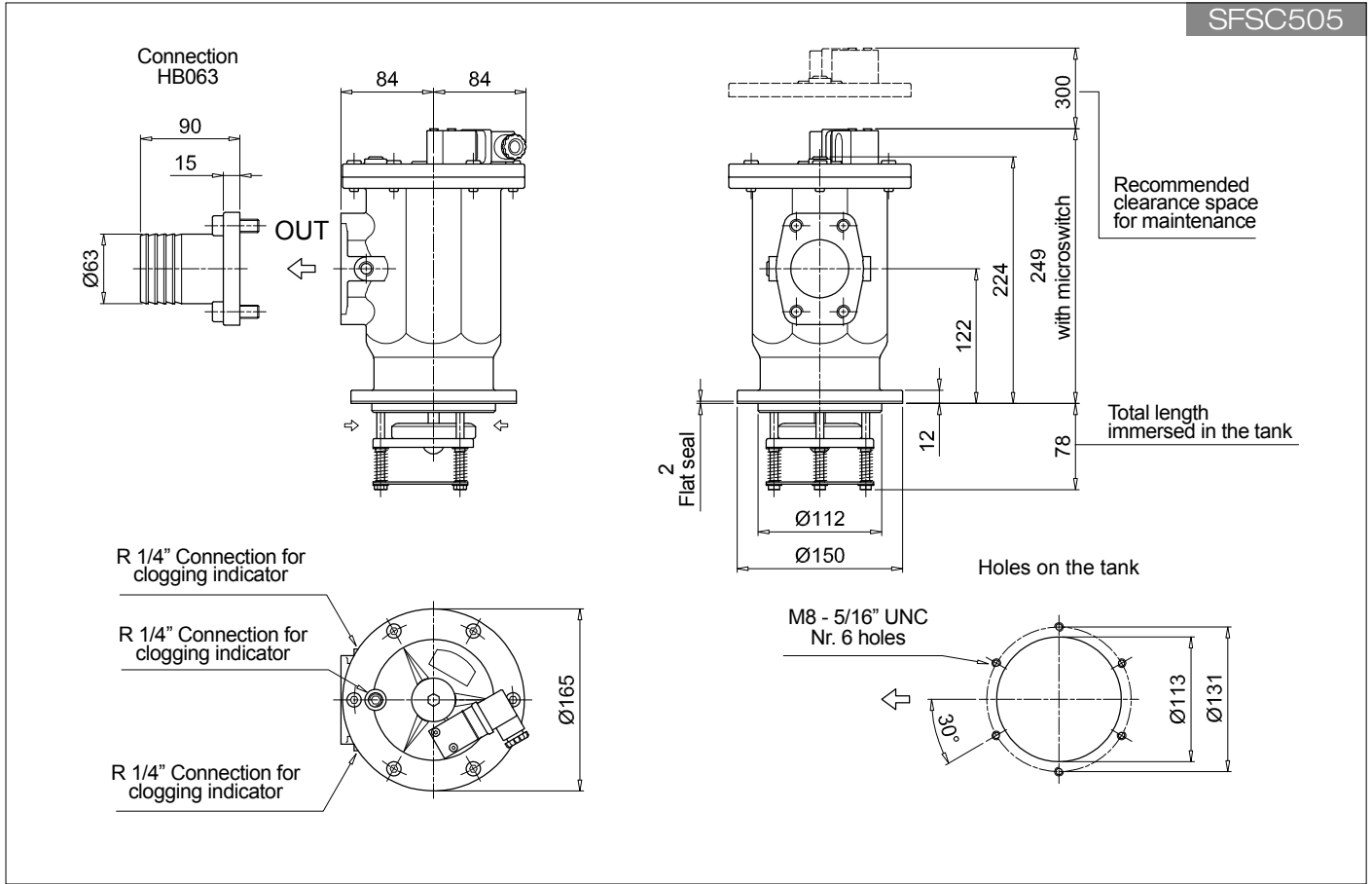
FILTER ELEMENT											
Series		Example 1: SSC 510 10 M0025 A N 00 NN P01 NN									
SSC		Example 2: SSC 535 10 M0060 A N 00 NN P01 NN									
Size											
503	SFSC 503	510	SFSC 500	540	SFSC 540						
504	SFSC 504		SFSC 510								
505	SFSC 505	535	SFSC 535								
Length											
10											
Filtration rating (filter media)											
M0025	Wire mesh 25 µm	M0090	Wire mesh 90 µm								
M0060	Wire mesh 60 µm	M0250	Wire mesh 250 µm								
Element Δp											
A		1 bar									
Seals and treatments											
N		No seal									
Bypass											
00		Without bypass									
Additional features											
NN		Without									
Version											
P01		Standard catalogue item									
Certificates											
NN		None									

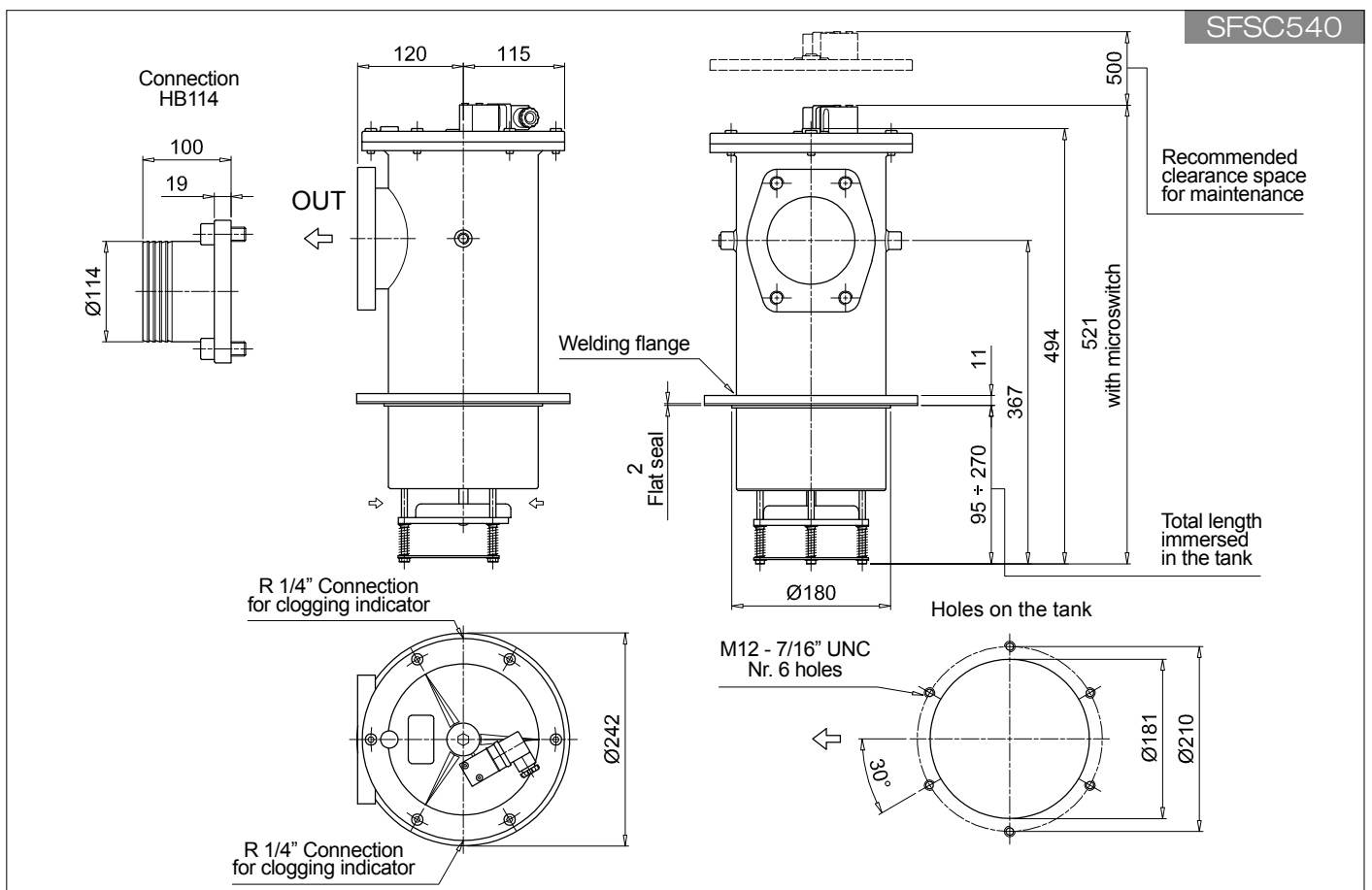
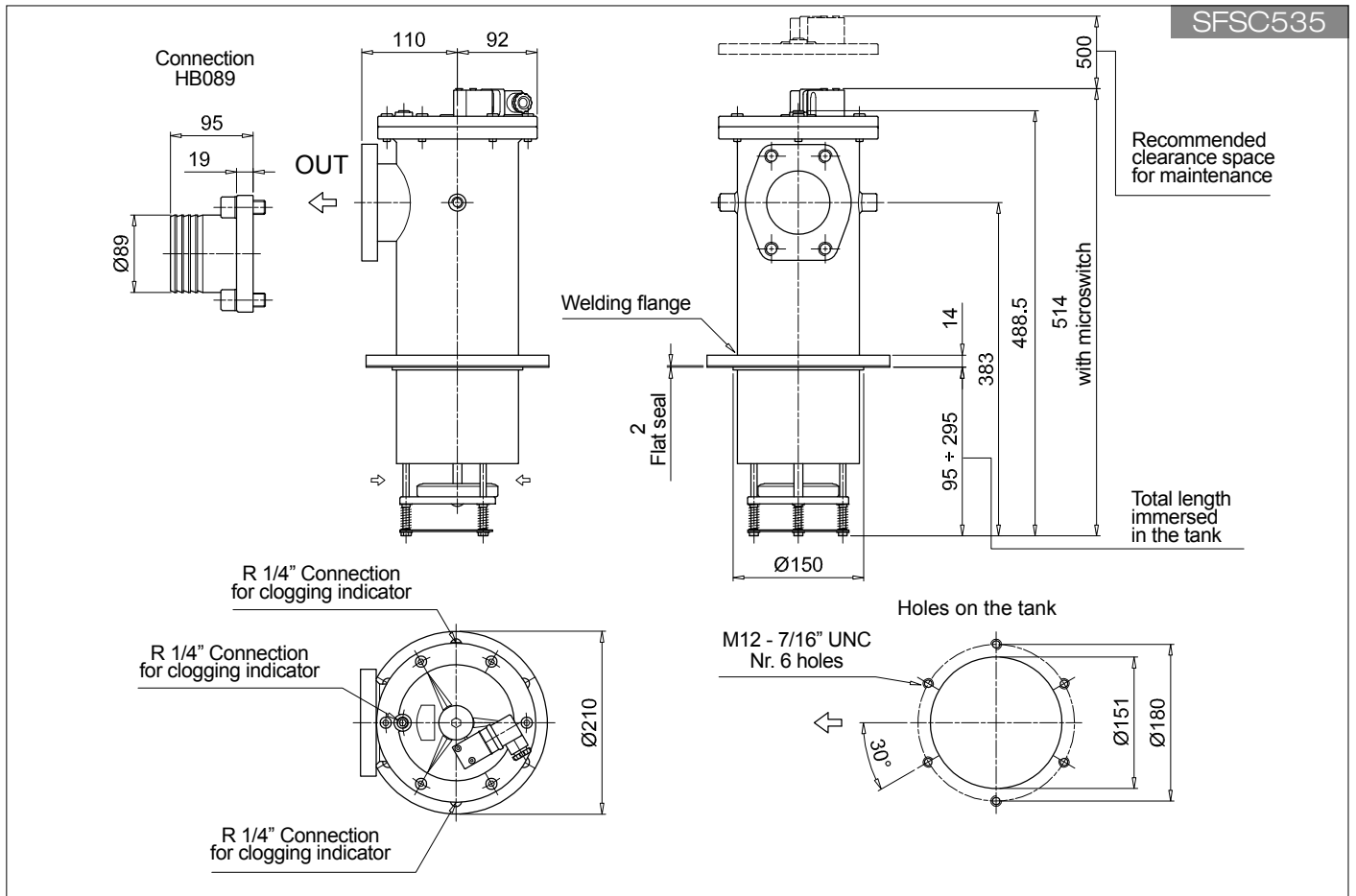




SFSC SFSC505 - SFSC510

Dimensions

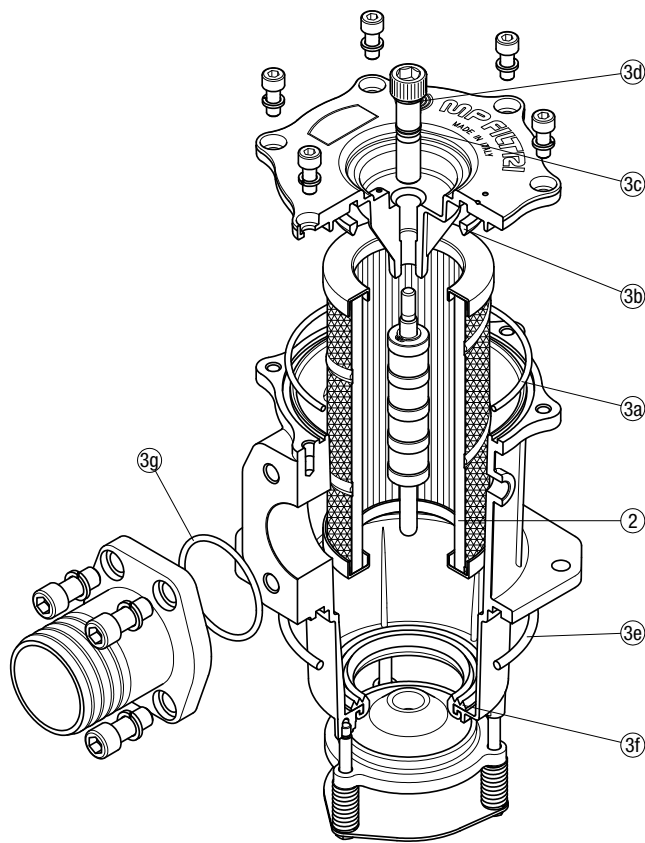




SFSC SPARE PARTS

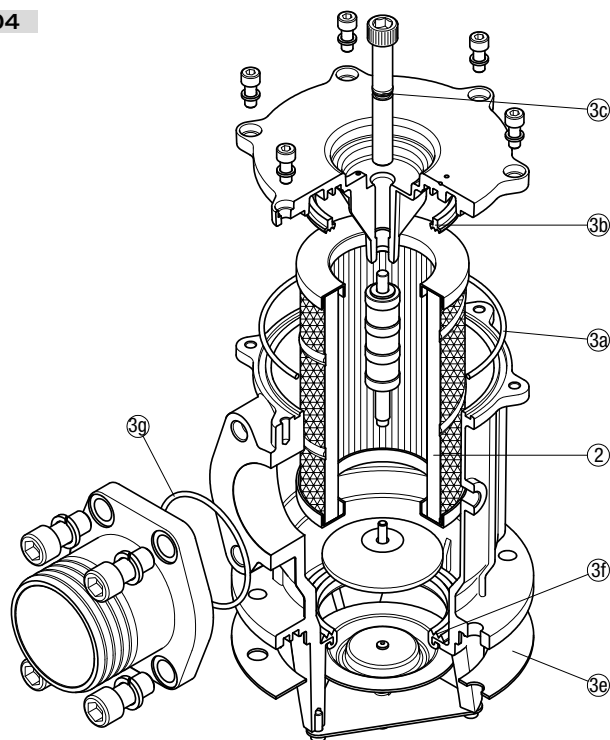
Order number for spare parts

SFSC 500



SFSC 503

SFSC 504



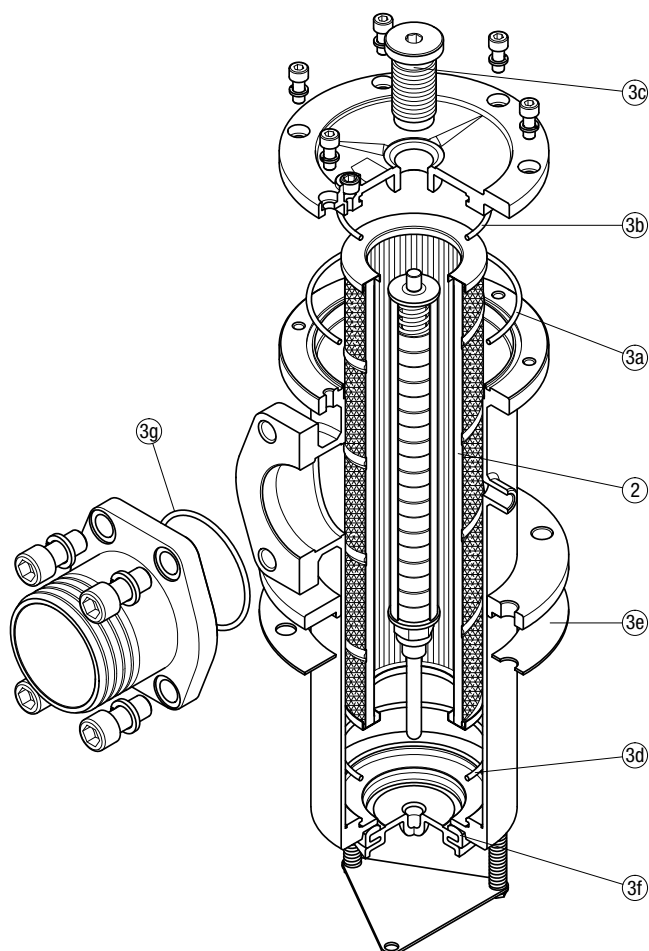
Item:	Q.ty: 1 pc.	Q.ty: 1 pc.	
Filter series	Filter element	Seal Kit code number NBR	Seal Kit code number FPM
SF2 500	See order table	02050141	02050142
SF2 503		02050070	02050071
SF2 504		02050072	02050073

SFSC 505

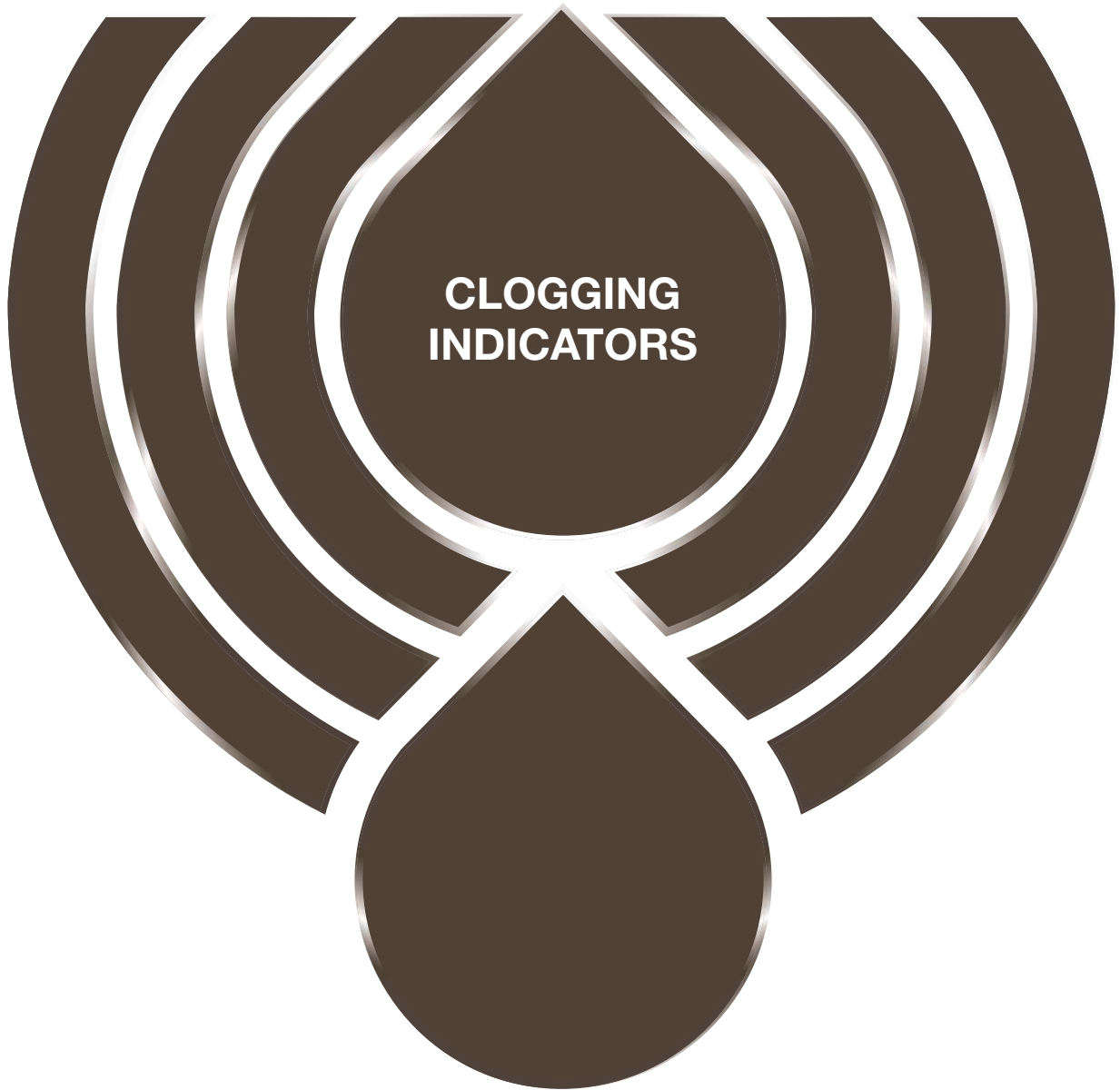
SFSC 510

SFSC 535

SFSC 540



Item:	Q.ty: 1 pc.	Q.ty: 1 pc.	
Filter series	Filter element	Seal Kit code number	
		NBR	FPM
SFSC 505	See order table	02050043	02050044
SFSC 510		02050045	02050046
SFSC 535		02050051	02050052
SFSC 540		02050053	02050054



**CLOGGING
INDICATORS**

Clogging indicators are devices that check the life time of the filter elements. They measure the pressure drop through the filter element directly connected to the filter housing.

These devices trip when the clogging of the filter element causes a pressure drop increasing across the filter element.

Filter elements are efficient only if their Dirt Holding Capacity is fully exploited. This is achieved by using filter housings equipped with clogging indicators.

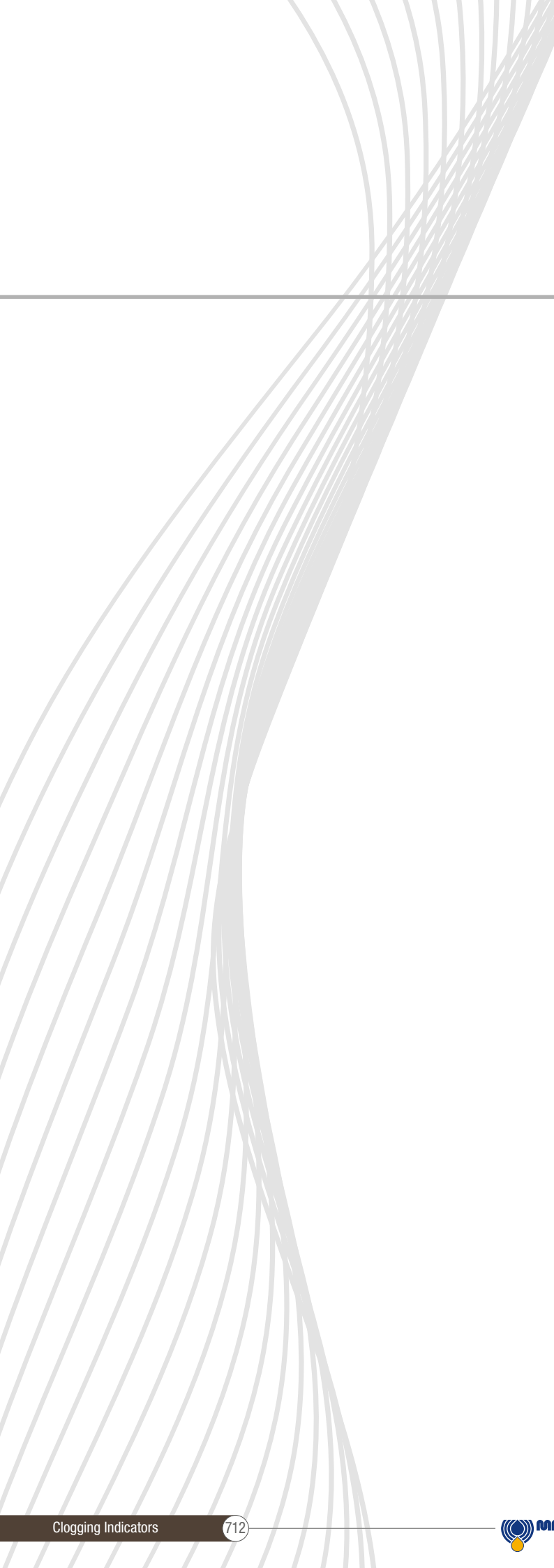
The indicator is set to alarm before the element becomes fully clogged.

MP Filtri can supply indicators of the following designs:

- Vacuum switches and gauges
- Pressure switches and gauges
- Differential pressure indicators

These type of devices can be provided with a visual, electrical or both signals. The electronic differential pressure clogging indicator is also available. It provides both analogical 4-20 mA output and digital warning (75% of clogging) and alarm (clogging) outputs.

In the following pages you can find a reference guide about the types of clogging indicators available in the different families of MP Filtri's Hydraulic Filtration range of products.



DESIGNATION, ORDERING CODES & TECHNICAL DATA

INDEX

	Page
QUICK REFERENCE GUIDE	714
CLOGGING INDICATORS ORDERING CODES	
SUCTION FILTERS INDICATORS	719
RETURN FILTERS INDICATORS	720
RETURN / SUCTION FILTERS INDICATORS	722
SPIN-ON FILTERS INDICATORS	724
LOW & MEDIUM PRESSURE FILTERS INDICATORS	726
HIGH PRESSURE FILTERS INDICATORS	727
STAINLESS STEEL HIGH PRESSURE FILTERS INDICATORS	728
FILTERS FOR POTENTIALLY EXPLOSIVE ATMOSPHERE INDICATORS	729
TECHNICAL DATA	
VACUUM INDICATORS	730
BAROMETRIC (PRESSURE) INDICATORS	732
DIFFERENTIAL PRESSURE INDICATORS	736
PLUGS	737

QUICK REFERENCE GUIDE

Ordering codes

Filter family	Filter series	Visual indicators	Electrical indicators	Electronic / Electrical-Visual indicators	
SUCTION FILTERS	ELIXIR® SFEX060-110	VVB20P01	VEB21AA50P01	VLB21AA51P01	
		VVS20P01		VLB21AA52P01	
	Suction Line	SFMC250	VVA20P01	VEA21xA50P01 VEA21xA50P01UL	VLA21xA51P01
			WR20P01		VLA21xA52P01
	Without bypass	SFSC 500 - 503 - 504 - 505 SFSC 510 - 535 - 540	VVA20P01	VEA21xA50P01 VEA21xA50P01UL	VLA21xA51P01
			WR20P01		VLA21xA52P01
With bypass 1.75 bar	ELIXIR® RFEX060-080-110-160	BVA14P01	BEA15HA50P01 BEA15HA50P01UL	BLA15HA51P01	
		BVR14P01		BLA15HA52P01	
Without bypass	ELIXIR® RFEX060-080-110-160	BVP15HP01	BEM15HA41P01	BLA15HA53P01	
		BVQ15HP01		BLA15HA71P01	
RETURN FILTERS	MDH 250	BVA14P01	BEA15HA50P01 BEA15HA50P01UL	BLA15HA51P01	
		BVR14P01		BLA15HA52P01	
	With bypass 1.75 bar	MDH 250	BVP15HP01	BEM15HA41P01	BLA15HA53P01
			BVQ15HP01		BLA15HA71P01
	With bypass 3 bar	MDH 250	DVS12HP01	DES12HA10P01 DES12HA30P01 DES12HA80P01	
With bypass 3 bar	MDH 250	BVA25P01	BEA20HA50P01 BEA20HA50P01UL	BLA20HA51P01	
		BVR25P01		BLA20HA52P01	
With bypass 2.5 bar	MPFX MPTX MPF MPT MPH	BVP20HP01	BEM20HA41P01	BLA20HA53P01	
		BVQ20HP01		BLA20HA71P01	
With bypass 3 bar	MPFX MPTX MPF MPT	DVS25HP01	DES25HA10P01 DES25HA30P01 DES25HA80P01		
With bypass 2.5 bar	MPH		BEM20HA41P01		
With bypass 4.5 bar	MPLX		DEA20xA50P01 DEA20xA50P01UL	DLA20xA51P01	
		DVA20xP01		DLA20xA52P01	
With bypass 2.4 bar	FRI	DVM20xP01	DEM20xx10P01 DEM20xx20P01 DEM20xx30P01 DEM20xx35P01 DEU20VA50P01UL	DLA20xA71P01	
				DLE20xA50P01	
				DLE20xF50P01	
				DTA20xF70P01	

Filter family	Filter series	Visual indicators	Electrical indicators	Electronic / Electrical-Visual indicators	
RETURN / SUCTION FILTERS	MRSX 116 - 165 - 166 Suction line	VVB20P01	VEB21AA50P01	VLB21AA51P01	
		VVS20P01		VLB21AA52P01	
	With bypass valve 2.5 bar	MRSX 116 - 165 - 166 Return line	BVA25P01	BEA20HA50P01	VLB21AA53P01
			BVR25P01	BEA20HA50P01UL	VLB21AA71P01
	With bypass valve 2.5 bar	LMP 124 MULTIPORT	BVP20HP01	BEM20HA41P01	BLA20HA51P01
			BVQ20HP01	BET25HF10P01	BLA20HA52P01
			DVA20xP01	BET25HF30P01	BLA20HA53P01
			DVM20xP01	BET25HF50P01	BLA20HA71P01
				BEA20HA50P01	DLA20xA51P01
				BEA20HA50P01UL	DLA20xA52P01
			BEM20HA41P01	DLA20xA71P01	
	BET25HF10P01	DLE20xA50P01			
	BET25HF30P01	DLE20xF50P01			
	BET25HF50P01	DTA20xF70P01			
	DEA20xA50P01	DEU20VA50P01UL			
SPIN-ON FILTERS	Suction line	WB20P01	VEB21AA50P01	VLB21AA51P01	
		VVS20P01		VLB21AA52P01	
	Return line	MPS 050 - 070 - 100 - 150	BVA14P01	BEA15HA50P01	BLA15HA51P01
		MPS 200 - 250 - 300 - 350	BVR14P01	BEA15HA50P01UL	BLA15HA52P01
		MST 050 - 070 - 100 - 150	BVP15HP01	BEM15HA41P01	BLA15HA53P01
	In-line	MPS 051 - 071 - 101 - 151 MPS 301 - 351 MSH 050 - 070 - 100 - 150	BVQ15HP01		BLA15HA71P01
			DVA12xP01	DEA12xA50P01	DLA12xA51P01
			DVM12xP01	DEM12xAxxP01	DLA12xA52P01
			DVA20xP01	DEA20xA50P01	DLA12xA71P01
			DVM20xP01	DEM20xAxxP01	DLA20xA51P01
	DEU20VA50P01UL	DLA20xA52P01			
		DLA20xA71P01			
		DLE12xA50P01			
		DLE12xF50P01			
		DLE20xF50P01			
		DLE20xF50P01			
		DTA12xF70P01			
		DTA20xF70P01			

QUICK REFERENCE GUIDE

Ordering codes

Filter family	Filter series	Visual indicators	Electrical indicators	Electronic / Electrical-Visual indicators	
LOW & MEDIUM PRESSURE FILTERS	ELIXIR® LFEX 060-080-110-160	DVS25HP01	DES25HA10P01 DES25HA30P01 DES25HA80P01		
	With bypass valve 3.5 bar	LMP 110 LMP 112 - 116 - 118 - 119 MULTIPORT LMP 120 - 122 - 123 MULTIPORT LMP 210 - 211 - LDP LMP 400 - 401 & 430 - 431 LMP 900 - 901 LMP 902 - 903	DVA20XP01 DVM20XP01	DEA20xA50P01 DEM20xx10P01 DEM20xx20P01 DEM20xx30P01 DEM20xx35P01 DEU20VA50P01UL	DLA20xA51P01 DLA20xA52P01 DLA20xA71P01 DLE20xA50P01 DLE20xF50P01 DTA20xF70P01
	With bypass valve 2.5 bar	LPH 630	DVA20XP01 DVM20XP01	DEA20xA50P01 DEM20xx10P01 DEM20xx20P01 DEM20xx30P01 DEM20xx35P01 DEU20VA50P01UL	DLA20xA51P01 DLA20xA52P01 DLA20xA71P01 DLE20xA50P01 DLE20xF50P01 DTA20xF70P01
	With bypass valve 1.75 bar	LPH 630	DVA12XP01 DVM12XP01	DEA12xA50P01 DEM12xx10P01 DEM12xx20P01 DEM12xx30P01 DEM12xx35P01	DLA12xA51P01 DLA12xA52P01 DLA12xA71P01 DLE12xA50P01 DLE12xF50P01 DTA12xF70P01
	ELIXIR® LFEX 060-080-110-160	DVS40HP01	DES40HA10P01 DES40HA30P01 DES40HA80P01		
	Without bypass valve	LMP 110 LMP 112 - 116 - 118 - 119 MULTIPORT LMP 120 - 122 - 123 MULTIPORT LMP 210 - 211 - LDP LMP 400 - 401 & 430 - 431 LMP 900 - 901 LMP 902 - 903 LMP 950 - 951 LMP 952 - 953 - 954 LMD 211 - 400 - 401 - 431 - 951 - LDD LPH 630	DVA50XP01 DVM50XP01	DEA50xA50P01 DEM50xx10P01 DEM50xx20P01 DEM50xx30P01 DEM50xx35P01 DEU50VA50P01UL	DLA50xA51P01 DLA50xA52P01 DLA50xA71P01 DLE50xA50P01 DLE50xF50P01 DTA50xF70P01
	With bypass valve 6 bar	FMP 039 - 065 - 135 - 320 FHP 010 - 011 - 065 - 135 - 350 - 351 - 500 FMMX 050 - 150 FMM 050 - 150 FHA 051 FHM 006 - 007 - 010 - 050 - 065 - 135 - 320 - 500 FHB 050 - 135 - 320 FHF 325 FHD 021 - 051 - 326 - 333	DVA50XP01 DVM50XP01	DEA50xA50P01 DEM50xx10P01 DEM50xx20P01 DEM50xx30P01 DEM50xx35P01 DEU50VA50P01UL	DLA50xA51P01 DLA50xA52P01 DLA50xA71P01 DLE50xA50P01 DLE50xF50P01
	Without bypass valve	FMP 039 - 065 - 135 - 320 FHP 010 - 011 - 065 - 135 - 350 - 351 - 500 FMMX 050 - 150 FMM 050 - 150 FHA 051 FHM 006 - 007 - 010 - 050 - 065 - 135 - 320 - 500 FHB 050 - 135 - 320 FHF 325 FHD 021 - 051 - 326 - 333	DVA70XP01 DVA95XP01 DVM70XP01 DVM95XP01	DEA70xA50P01 DEA95xA50P01 DEM70xx10P01 DEM70xx20P01 DEM70xx30P01 DEM70xx35P01 DEU70VA50P01UL DEM95xx10P01 DEM95xx20P01 DEM95xx30P01 DEM95xx35P01	DLA70xA51P01 DLA70xA52P01 DLA70xA71P01 DLA95xA51P01 DLA95xA52P01 DLA95xA71P01 DLE70xA50P01 DLE70xF50P01 DLE95xA50P01 DLE95xF50P01 DTA70xF70P01 DTA95xF70P01

Filter family	Filter series	Visual indicators	Electrical indicators	Electronic / Electrical-Visual indicators
STAINLESS STEEL HIGH PRESSURE FILTERS	With bypass valve 6 bar	FZH 012 - 040	DVZ50xP01	DEZ50xA50P01 DLZ50xA51P01 DLZ50xA52P01
	Without bypass valve	FZH 012 - 040	DVZ70xP01 DVZ95xP01	DEZ70xA50P01 DEZ95xA50P01 DLZ70xA51P01 DLZ70xA52P01 DLZ95xA51P01 DLZ95xA52P01
	With bypass valve 6 bar	FZP 039 - 136 FZB 039 FZM 039 FZD 051	DVX50xP01 DZY50xP01	DEX50xA50P01 DLX50xA51P01 DLX50xA52P01
	Without bypass valve	FZP 039 - 136 FZB 039 FZM 039 FZD 010 - 021 - 051	DVX70xP01 DVX95xP01 DZY70xP01 DZY95xP01	DEX70xA50P01 DEX95xA50P01 DLX70xA51P01 DLX70xA52P01 DLX95xA51P01 DLX95xA52P01
FILTERS FOR POTENTIALLY EXPLOSIVE ATMOSPHERE	With bypass valve 6 bar	FMMX 050 - 150	DVA50xP01 DVM50xP01	DEH50xA48P01 DEH50xA49P01 DEH50xA70P01
	Without bypass valve	FMMX 050 - 150	DVA70xP01 DVA95xP01 DVM70xP01 DVM95xP01	DEH70xA48P01 DEH70xA49P01 DEH70xA70P01
	With bypass valve 6 bar	FZP 039 - 136	DVX50xP01 DZY50xP01	DEH50xA48P01 DEH50xA49P01 DEH50xA70P01
	Without bypass valve	FZP 039 - 136	DVX70xP01 DVX95xP01 DZY70xP01 DZY95xP01	DEH70xA48P01 DEH70xA49P01 DEH70xA70P01
	With bypass valve 6 bar	FZH 012 - 040	DVZ50xP01	
	Without bypass valve	FZH 012 - 040	DVZ70xP01 DVZ95xP01	

Suitable indicator types

V ACUUM INDICATORS

Vacuum indicators are used on the Suction line to check the efficiency of the filter element.

They measure the pressure downstream of the filter element.

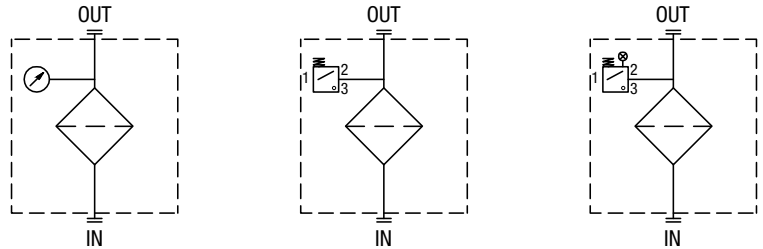
Standard items are produced with R 1/4" EN 10226 connection.

Available products with R 1/8" EN 10226 to be fitted on MPS series.

Vacuum indicators are identified in the Hydraulic Filtration catalogue and in the Quick Reference Guide table by the letter "V".

Example:

V VVB20P01



B BAROMETRIC (PRESSURE) INDICATORS

Pressure indicators are used on the Return line to check the efficiency of the filter element.

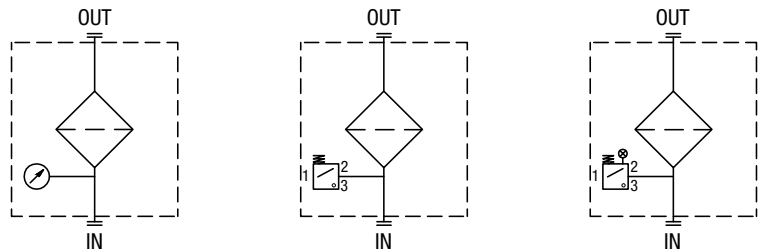
They measure the pressure upstream of the filter element.

Standard items are produced with R 1/8" EN 10226 connection.

Barometric (pressure) indicators are identified in the Hydraulic Filtration catalogue and in the Quick Reference Guide table by the letter "B".

Example:

B BVA14P01



D DIFFERENTIAL PRESSURE INDICATORS

Differential pressure indicators are used on the Pressure line to check the efficiency of the filter element.

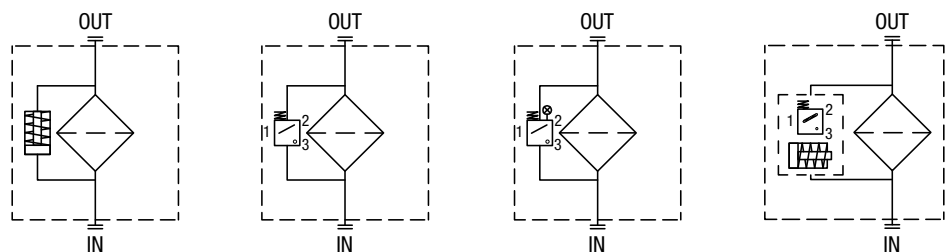
They measure the pressure upstream and downstream of the filter element (differential pressure).

Standard items are produced with special connection G 1/2" size.

Also available in Stainless Steel models. Differential pressure indicators are identified in the Hydraulic Filtration catalogue and in the Quick Reference Guide table by the letter "D".

Example:

D DVA20xP01



Designation & Ordering code

VACUUM INDICATORS

Series	Configuration example 1:	VE	A	21	V	A	50	P01	EX
VE Electrical vacuum indicator	Configuration example 2:	VL	B	21	A	A	71	P01	
VL Electrical/Visual vacuum indicator	Configuration example 3:	VV	R	20				P01	
VV Vacuum gauge									

Type VE - VL	Type VV	SFxC	SFEX
A Connection EN 10226 - R1/4"	A Axial connection EN 10226 - R1/4"	•	-
B Connection EN 10226 - R1/8"	B Axial connection EN 10226 - R1/8"	-	•
	R Radial connection EN 10226 - R1/4"	•	-
	S Radial connection EN 10226 - R1/8"	-	•

Vacuum setting	VE	VL	VV
20 -0.16 bar	-	-	•
21 -0.21 bar	•	•	-

Seals	VEA - VLA	VEB - VLB
A NBR	•	•
V FPM	•	-

Thermostat	VE	VL
A Without	•	•

Electrical connections	VE	VL
50 Connection EN 175301-803	•	-
51 Connection EN 175301-803, transparent base with lamps 24 Vdc	-	•
52 Connection EN 175301-803, transparent base with lamps 110 Vdc	-	•
53 Connection EN 175301-803, transparent base with lamps 230 Vac	-	•
71 Connection IEC 61076-2-101 D (M12), black base with lamps 24 Vdc	-	•

Option	P01	Pxx
P01 MP Filtri standard		
Pxx Customized		

Certifications	VEA21A	VEA21V	VEB	VL	VV
Without	•	•	•	•	•
EX ATEX certification	•	•	•	-	-
UL UL certification	•	-	-	-	-

Designation & Ordering code

BAROMETRIC (PRESSURE) INDICATORS

Series	Configuration example 1: BE A 15 H A 41 P01 EX										
BE Electrical pressure indicator	Configuration example 2: BL A 20 H A 71 P01										
BL Electrical/Visual pressure indicator	Configuration example 3: BV R 14 P01										
BV Visual pressure indicator	Configuration example 4: BV P 20 H P01										
Type	BE	BL	BV								
A Standard type	•	•	A Axial connection pressure gauge								
M With wired electrical connection	•	-	R Radial connection pressure gauge								
T With thermal switch	•	-	P Visual indicator with automatic reset								
			Q Visual indicator with manual reset								
Pressure setting	BEA-BEM	BET	BLA	BVA-BVR	BVP-BVQ						
14 1.4 bar	-	-	-	•	-						
15 1.5 bar	•	-	•	-	•						
20 2.0 bar	•	•	•	-	•						
25 2.5 bar	-	•	-	•	-						
Seals	BE	BLA	BVA-BVR	BVP-BVQ							
H HNBR	•	•	-	•							
Thermostat	BEA-BEM	BET	BLA								
A Without thermostat	•	-	•								
F With thermostat	-	•	-								
Electrical connections	BEA	BEM	BET	BL							
10 Connection AMP Superseal series 1,5	-	-	•	-							
30 Connection Deutsch DT-04-2-P	-	-	•	-							
41 Connection via four-core cable	-	•	-	-							
50 Connection EN 175301-803	•	-	-	-							
51 Connection EN 175301-803, transparent base with lamps 24 Vdc	-	-	-	•							
52 Connection EN 175301-803, transparent base with lamps 110 Vdc	-	-	-	•							
53 Connection EN 175301-803, transparent base with lamps 230 Vac	-	-	-	•							
71 Connection IEC 61076-2-101 D (M12), black base with lamps 24 Vdc	-	-	-	•							
Option											
P01 MP Filtri standard											
Pxx Customized											
Certifications	BEA	BEM-BET	BL	BV							
Without	•	•	•	•							
EX ATEX certification	•	-	-	-							
UL UL certification	•	-	-	-							

DIFFERENTIAL PRESSURE INDICATORS

Series
DE Electrical differential pressure indicator
DL Electrical/Visual differential pressure indicator
DT Electrical differential pressure indicator
DV Visual differential pressure indicator

Configuration example 1:	DE	M	20	H	F	50	P01	
Configuration example 2:	DE	U	50	V	A	50	P01	UL
Configuration example 3:	DL	E	20	V	A	71	P01	
Configuration example 4:	DT	A	20	H	F	70	P01	
Configuration example 5:	DV	M	20	V			P01	

Type	DE	DL	DT
A Standard type	•	•	•
M With wired electrical connection	•	-	-
U Standard type 210 bar, UL certified	•	-	-
E For high power supply	-	•	-
S Compact version	•	-	-

DV
A With automatic reset
M With manual reset
S With automatic reset

Pressure setting	DEA	DEM	DEU	DES	DL	DT	DVA	DVM	DVS
12 1.2 bar	-	-	-	•	-	-	-	-	•
20 2.0 bar	•	•	•	-	•	•	•	•	-
25 2.5 bar	-	-	-	•	-	-	-	-	•

Seals	DEA	DEM	DEU	DES	DL	DT	DVA	DVM	DVS
H HNBR	•	•	-	•	•	•	•	•	•
V FPM	•	•	•	-	•	•	•	•	-

Thermostat	DEA	DEM	DEU	DES	DLA	DLE	DT
A Without thermostat	•	•	•	•	•	•	-
F With thermostat	-	•	-	-	-	•	•

Electrical connections	DEA	DEM	DEU	DES	DLA	DLE	DT
10 Connection AMP Superseal series 1.5	-	•	-	•	-	-	-
20 Connection AMP Timer Junior	-	•	-	-	-	-	-
30 Connection Deutsch DT-04-2-P	-	•	-	•	-	-	-
35 Connection Deutsch DT-04-3-P	-	•	-	-	-	-	-
50 Connection EN 175301-803	•	-	•	-	-	•	-
51 Connection EN 175301-803, transparent base with lamps 24 Vdc	-	-	-	-	•	-	-
52 Connection EN 175301-803, transparent base with lamps 110 Vdc	-	-	-	-	•	-	-
70 Connection IEC 61076-2-101 D (M12)	-	-	-	-	-	-	•
71 Connection IEC 61076-2-101 D (M12), black base with lamps 24 Vdc	-	-	-	-	•	-	-
80 Connection Stud #10-32 UNF	-	-	-	•	-	-	-

Option
P01 MP Filtri standard
Pxx Customized

Certifications	DEU	OTHERS
Without	-	•
UL UL certification	•	-

PLUGS

Series
T2 Plug
T4 Plug

Configuration example	T2	H
-----------------------	----	---

Seals	T2	T4
A NBR	-	•
H HNBR	•	-
V FPM	•	-

Designation & Ordering code

VACUUM INDICATORS

Series	Configuration example 1:							
VE Electrical vacuum indicator	VE	A	21	V	A	50	P01	EX
VL Electrical/Visual vacuum indicator	Configuration example 2:							
	VL	B	21	A	A	71	P01	
VV Vacuum gauge	Configuration example 3:							
	VV	R	20				P01	

Type VE - VL	Type VV
A Connection EN 10226 - R1/4"	A Axial connection EN 10226 - R1/4"
B Connection EN 10226 - R1/8"	B Axial connection EN 10226 - R1/8"
	R Radial connection EN 10226 - R1/4"
	S Radial connection EN 10226 - R1/8"

Vacuum setting	VE	VL	VV
20 -0.16 bar	-	-	•
21 -0.21 bar	•	•	-

Seals	VEA - VLA	VEB - VLB
A NBR	•	•
V FPM	•	-

Thermostat	VE	VL
A Without thermostat	•	•

Electrical connections	VE	VL
50 Connection EN 175301-803	•	-
51 Connection EN 175301-803, transparent base with lamps 24 Vdc	-	•
52 Connection EN 175301-803, transparent base with lamps 110 Vdc	-	•
53 Connection EN 175301-803, transparent base with lamps 230 Vac	-	•
71 Connection IEC 61076-2-101 D (M12), black base with lamps 24 Vdc	-	•

Option
P01 MP Filtri standard
Pxx Customized

Certifications	VEA21A	VEA21V	VEB	VL	VV
Without	•	•	•	•	•
EX ATEX certification	•	•	•	-	-
UL UL certification	•	-	-	-	-

BAROMETRIC (PRESSURE) INDICATORS

Series	Configuration example 1:							
BE Electrical pressure indicator	BE	M	15	H	A	41	P01	EX
BL Electrical/Visual pressure indicator	Configuration example 2:							
	BL	A	20	H	A	71	P01	
BV Visual pressure indicator	Configuration example 3:							
	BV	R	14				P01	
	Configuration example 4:							
	BV	P	20	H			P01	

Type	BE	BL	BV
A Standard type	•	•	A Axial connection pressure gauge
M With wired electrical connection	•	-	R Radial connection pressure gauge
T With thermal switch	•	-	P Visual indicator with automatic reset
			Q Visual indicator with manual reset

Pressure setting	BEA-BEM	BET	BLA	BVA-BVR	BVP-BVQ
14 1.4 bar	-	-	-	•	-
15 1.5 bar	•	-	•	-	-
20 2.0 bar	•	•	•	-	•
25 2.5 bar	-	•	-	•	-

Seals	BE	BLA	BVP-BVQ
H HNBR	•	•	•

Thermostat	BEA-BEM	BET	BLA
A Without thermostat	•	-	•
F With thermostat	-	•	-

Electrical connections	BEA	BEM	BET	BL
10 Connection AMP Superseal series 1.5	-	-	•	-
30 Connection Deutsch DT-04-2-P	-	-	•	-
41 Connection via four-core cable	-	•	-	-
50 Connection EN 175301-803	•	-	•	-
51 Connection EN 175301-803, transparent base with lamps 24 Vdc	-	-	-	•
52 Connection EN 175301-803, transparent base with lamps 110 Vdc	-	-	-	•
53 Connection EN 175301-803, transparent base with lamps 230 Vac	-	-	-	•
71 Connection IEC 61076-2-101 D (M12), black base with lamps 24 Vdc	-	-	-	•

Option
P01 MP Filtri standard
Pxx Customized

Certifications	BEA	BEM-BET	BL	BV
Without	•	•	•	•
EX ATEX certification	•	-	-	-
UL UL certification	•	-	-	-

DIFFERENTIAL PRESSURE INDICATORS

Series	Configuration example 1:								Configuration example 2:		Configuration example 3:		Configuration example 4:		Configuration example 5:																					
DE Electrical differential pressure indicator	DE	M	12	H	F	50	P01	DE	U	50	V	A	50	P01	UL	DL	E	20	V	A	71	P01	DT	A	50	H	F	70	P01	DV	M	70	V			P01
DL Electrical/Visual differential pressure indicator																																				
DT Electronic differential pressure indicator																																				
DV Visual differential pressure indicator																																				

Type	DE	DL	DT	DV				
A Standard type	•	•	•	A With automatic reset				
M With wired electrical connection	•	-	-	M With manual reset				
U Standard type 210 bar, UL certified	•	-	-					
E For high power supply	-	•	-					

Pressure setting	DEA	DEM	DEU	DLA	DLE	DTA	DVA	DVM
20 2.0 bar	•	•	•	•	•	•	•	•

Seals	DEA	DEM	DEU	DLA	DLE	DTA	DVA	DVM
H HNBR	•	•	-	•	•	•	•	•
V FPM	•	•	•	•	•	•	•	•

Thermostat	DEA	DEM	DEU	DLA	DLE	DT
A Without thermostat	•	•	•	•	•	-
F With thermostat	-	•	-	-	•	•

Electrical connections	DEA	DEM	DEU	DLA	DLE	DT
10 Connection AMP Superseal series 1.5	-	•	-	-	-	-
20 Connection AMP Timer Junior	-	•	-	-	-	-
30 Connection Deutsch DT-04-2-P	-	•	-	-	-	-
35 Connection Deutsch DT-04-3-P	-	•	-	-	-	-
50 Connection EN 175301-803	•	-	•	-	•	-
51 Connection EN 175301-803, transparent base with lamps 24 Vdc	-	-	-	•	-	-
52 Connection EN 175301-803, transparent base with lamps 110 Vdc	-	-	-	•	-	-
70 Connection IEC 61076-2-101 D (M12)	-	-	-	-	-	•
71 Connection IEC 61076-2-101 D (M12), black base with lamps 24 Vdc	-	-	-	•	-	-

Option	DEU	OTHERS
P01 MP Filtri standard	-	•
Pxx Customized	•	-

Certifications	DEU	OTHERS
Without	-	•
UL UL certification	•	-

PLUGS

Series	Configuration example	
T2 Plug	T2	H

Seals
H HNBR
V FPM

Designation & Ordering code

VACUUM INDICATORS

Series	Configuration example 1:	VE	B	21	A	A	50	P01	EX
VE Electrical vacuum indicator	Configuration example 2:	VL	B	21	A	A	71	P01	
VL Electrical/Visual vacuum indicator	Configuration example 3:	VV	S	20				P01	
VV Vacuum gauge									

Type VE - VL	Type VV
B Connection EN 10226 - R1/8"	B Axial connection EN 10226 - R1/8"
	S Radial connection EN 10226 - R1/8"

Vacuum setting	VE	VL	VV
20 -0.16 bar	-	-	•
21 -0.21 bar	•	•	-

Seals	VE	VL
A NBR	•	•

Thermostat	VE	VL
A Without thermostat	•	•

Electrical connections	VE	VL
50 Connection EN 175301-803	•	-
51 Connection EN 175301-803, transparent base with lamps 24 Vdc	-	•
52 Connection EN 175301-803, transparent base with lamps 110 Vdc	-	•
53 Connection EN 175301-803, transparent base with lamps 230 Vac	-	•
71 Connection IEC 61076-2-101 D (M12), black base with lamps 24 Vdc	-	•

Option
P01 MP Filtri standard
Pxx Customized

Certifications	VEB	VL	VV
Without	•	•	•
EX ATEX certification	•	-	-
UL UL certification	-	-	-

BAROMETRIC (PRESSURE) INDICATORS

Series	Configuration example 1:	BE	M	15	H	A	41	P01
BE Electrical pressure indicator	Configuration example 2:	BL	A	20	H	A	71	P01
BL Electrical/Visual pressure indicator	Configuration example 3:	BV	R	14				P01
BV Visual pressure indicator	Configuration example 4:	BV	P	20	H			P01

Type	BE	BL	BV
A Standard type	•	•	A Axial connection pressure gauge
M With wired electrical connection	•	-	R Radial connection pressure gauge
			P Visual indicator with automatic reset
			Q Visual indicator with manual reset

Pressure setting	BEA-BEM	BLA	BVA-BVR	BVP-BVQ
14 1.4 bar	-	-	•	-
15 1.5 bar	•	•	-	-
20 2 bar	•	•	-	•
25 2.5 bar	-	-	•	-

Seals	BE	BLA	BVA-BVR	BVP-BVQ
H HNBR	•	•	-	•

Thermostat	BEA-BEM	BLA	BV
A Without thermostat	•	•	-

Electrical connections	BEA	BEM	BL
10 Connection AMP Superseal series 1.5	-	-	-
30 Connection Deutsch DT-04-2-P	-	-	-
41 Connection via four-core cable	-	•	-
50 Connection EN 175301-803	•	-	-
51 Connection EN 175301-803, transparent base with lamps 24 Vdc	-	-	•
52 Connection EN 175301-803, transparent base with lamps 110 Vdc	-	-	•
53 Connection EN 175301-803, transparent base with lamps 230 Vac	-	-	•
71 Connection IEC 61076-2-101 D (M12), black base with lamps 24 Vdc	-	-	•

Option
P01 MP Filtri standard
Pxx Customized

Certifications	BEA	BEM-BET	BL	BV
Without	•	•	•	•
EX ATEX certification	•	-	-	-
UL UL certification	•	-	-	-

DIFFERENTIAL PRESSURE INDICATORS

Series	Configuration example 1:								Configuration example 2:		Configuration example 3:		Configuration example 4:		Configuration example 5:																							
DE Electrical differential pressure indicator	DE	M	12	H	F	50	P01	DE	U	50	V	A	50	P01	UL	DL	E	20	V	A	71	P01	DT	A	50	H	F	70	P01	DV	M	70	V			P01		
DL Electrical/Visual differential pressure indicator																																						
DT Electronic differential pressure indicator																																						
DV Visual differential pressure indicator																																						

Type	DE	DL	DT	DV			
A Standard type	•	•	•	A With automatic reset			
M With wired electrical connection	•	-	-	M With manual reset			
U Standard type 210 bar, UL certified	•	-	-				
E For high power supply	-	•	-				

Pressure setting	DEA	DEM	DEU	DLA	DLE	DTA	DVA	DVM
12 1.2 bar	•	•	-	•	•	•	•	•
20 2.0 bar	•	•	•	•	•	•	•	•

Seals	DEA	DEM	DEU	DLA	DLE	DTA	DVA	DVM
H HNBR	•	•	-	•	•	•	•	•
V FPM	•	•	•	•	•	•	•	•

Thermostat	DEA	DEM	DEU	DLA	DLE	DT
A Without thermostat	•	•	•	•	•	-
F With thermostat	-	•	-	-	•	•

Electrical connections	DEA	DEM	DEU	DLA	DLE	DT
10 Connection AMP Superseal series 1.5	-	•	-	-	-	-
20 Connection AMP Timer Junior	-	•	-	-	-	-
30 Connection Deutsch DT-04-2-P	-	•	-	-	-	-
35 Connection Deutsch DT-04-3-P	-	•	-	-	-	-
50 Connection EN 175301-803	•	-	•	-	•	-
51 Connection EN 175301-803, transparent base with lamps 24 Vdc	-	-	-	•	-	-
52 Connection EN 175301-803, transparent base with lamps 110 Vdc	-	-	-	•	-	-
70 Connection IEC 61076-2-101 D (M12)	-	-	-	-	-	•
71 Connection IEC 61076-2-101 D (M12), black base with lamps 24 Vdc	-	-	-	•	-	-

Option	DEU	OTHERS
P01 MP Filtri standard	-	•
Pxx Customized	-	-

Certifications	DEU	OTHERS
Without	-	•
UL UL certification	•	-

PLUGS

Series	Configuration example	
T2 Plug	T2	H

Seals
H HNBR
V FPM

CLOGGING INDICATORS LOW & MEDIUM PRESS. FILTERS

Designation & Ordering code

DIFFERENTIAL PRESSURE INDICATORS

Series	Configuration example 1:	DE	M	20	H	F	50	P01	
DE Electrical differential pressure indicator	Configuration example 2:	DE	U	50	V	A	50	P01	UL
DL Electrical/Visual differential pressure indicator	Configuration example 3:	DL	E	50	V	A	71	P01	
DT Electronic differential pressure indicator	Configuration example 4:	DT	A	20	H	F	70	P01	
DV Visual differential pressure indicator	Configuration example 5:	DV	M	50	V			P01	

Type	DE	DL	DT	DV
A Standard type	•	•	•	A With automatic reset
M With wired electrical connection	•	-	-	M With manual reset
U Standard type 210 bar, UL certified	•	-	-	S With automatic reset
E For high power supply	-	•	-	
S Compact version	•	-	-	

Pressure setting	DEA	DEM	DEU	DES	DLA	DLE	DTA	DVA	DVM	DVS
12 1.2 bar	•	•	-	•	•	•	•	•	•	•
20 2.0 bar	•	•	•	-	•	•	•	•	•	-
25 2.5 bar	-	-	-	-	-	-	-	-	-	•
40 4.0 bar	-	-	-	•	-	-	-	-	-	•
50 5.0 bar	•	•	•	-	•	•	•	•	•	-

Seals	DEA	DEM	DEU	DES	DL	DT	DVA	DVM	DVS
H HNBR	•	•	-	•	•	•	•	•	•
V FPM	•	•	•	-	•	•	•	•	-

Thermostat	DEA	DEM	DEU	DES	DLA	DLE	DT
A Without thermostat	•	•	•	•	•	•	-
F With thermostat	-	•	-	-	-	•	•

Electrical connections	DEA	DEM	DEU	DES	DLA	DLE	DT
10 Connection AMP Superseal series 1.5	-	•	-	•	-	-	-
20 Connection AMP Timer Junior	-	•	-	-	-	-	-
30 Connection Deutsch DT-04-2-P	-	•	-	•	-	-	-
35 Connection Deutsch DT-04-3-P	-	•	-	-	-	-	-
50 Connection EN 175301-803	•	-	•	-	-	•	-
51 Connection EN 175301-803, transparent base with lamps 24 Vdc	-	-	-	-	•	-	-
52 Connection EN 175301-803, transparent base with lamps 110 Vdc	-	-	-	-	•	-	-
70 Connection IEC 61076-2-101 D (M12)	-	-	-	-	-	-	•
71 Connection IEC 61076-2-101 D (M12), black base with lamps 24 Vdc	-	-	-	-	•	-	-
80 Connection Stud #10-32 UNF	-	-	-	•	-	-	-

Option
P01 MP Filtri standard
Pxx Customized

Certifications	DEU	OTHERS
Without	-	•
UL UL certification	•	-

PLUGS

Series	Configuration example	T2	H
T2 Plug			
T4 Plug			

Seals	T2	T4
A NBR	-	•
H HNBR	•	-
V FPM	•	-

DIFFERENTIAL PRESSURE INDICATORS

Series	Configuration example 1:							Configuration example 2:		Configuration example 3:		Configuration example 4:		Configuration example 5:	
DE Electrical differential pressure indicator	DE	M	12	H	F	50	P01	DE	U	50	V	A	50	P01	UL
DL Electrical/Visual differential pressure indicator	DL	E	20	V	A	71	P01	DL	E	20	V	A	71	P01	
DT Electronic differential pressure indicator	DT	A	50	H	F	70	P01	DT	A	50	H	F	70	P01	
DV Visual differential pressure indicator	DV	M	70	V			P01	DV	M	70	V			P01	

Type	DE	DL	DT	DV
A Standard type	•	•	•	A With automatic reset
M With wired electrical connection	•	-	-	M With manual reset
U Standard type 210 bar, UL certified	•	-	-	
E For high power supply	-	•	-	

Pressure setting	DEA	DEM	DEU	DLA	DLE	DTA	DVA	DVM
50 5.0 bar	•	•	•	•	•	•	•	•
70 7.0 bar	•	•	•	•	•	•	•	•
95 9.5 bar	•	•	-	•	•	•	•	•

Seals	DEA	DEM	DEU	DLA	DLE	DTA	DVA	DVM
H HNBR	•	•	-	•	•	•	•	•
V FPM	•	•	•	•	•	•	•	•

Thermostat	DEA	DEM	DEU	DLA	DLE	DT
A Without thermostat	•	•	•	•	•	-
F With thermostat	-	•	-	-	•	•

Electrical connections	DEA	DEM	DEU	DLA	DLE	DT
10 Connection AMP Superseal series 1.5	-	•	-	-	-	-
20 Connection AMP Timer Junior	-	•	-	-	-	-
30 Connection Deutsch DT-04-2-P	-	•	-	-	-	-
35 Connection Deutsch DT-04-3-P	-	•	-	-	-	-
50 Connection EN 175301-803	•	-	•	-	•	-
51 Connection EN 175301-803, transparent base with lamps 24 Vdc	-	-	-	•	-	-
52 Connection EN 175301-803, transparent base with lamps 110 Vdc	-	-	-	•	-	-
70 Connection IEC 61076-2-101 D (M12)	-	-	-	-	-	•
71 Connection IEC 61076-2-101 D (M12), black base with lamps 24 Vdc	-	-	-	•	-	-

Option
P01 MP Filtri standard
Pxx Customized

Certifications	DEU	OTHERS
Without	-	•
UL UL certification	•	-

PLUGS

Series	Configuration example	
T2 Plug	T2	H

Seals
H HNBR
V FPM

CLOGGING INDICATORS

STAINLESS STEEL HIGH PRESSURE FILTERS

Designation & Ordering code

DIFFERENTIAL PRESSURE INDICATORS

Series	Configuration example 1:						
DE Electrical differential pressure indicator	DE	Z	50	H	A	50	P01
DL Electrical / Visual differential pressure indicator	Configuration example 2:						
DV Visual differential pressure indicator	DL	X	70	V	A	52	P01
Type	DE	DL	DV				
X Stainless steel standard type 420 bar	•	•	•				
Y Stainless steel optional type 420 bar	-	-	•				
Z Stainless steel 700 bar (only for FZH)	•	•	•				
Pressure setting	DEX	DEZ	DL	DV			
50 5.0 bar	•	•	•	•			
70 7.0 bar	•	•	•	•			
95 9.5 bar	•	•	•	•			
Seals	DEX	DEZ	DL	DV			
H HNBR	•	•	•	•			
V FPM	-	-	•	•			
F MFQ	•	•	-	-			
Thermostat	DEX	DEZ	DL	DV			
A Without thermostat	•	•	•	-			
Electrical connections	DEX	DEZ	DL				
50 Connection EN 175301-803	•	•	-				
51 Connection EN 175301-803, transparent base with lamps 24 Vdc	-	-	•				
52 Connection EN 175301-803, transparent base with lamps 110 Vdc	-	-	•				

Option
P01 MP Filtri standard
Pxx Customized

PLUGS

Series	Configuration example	
X2 Stainless Steel plug 420 bar	X2	H
X3 Stainless Steel plug 700 bar (only for FZH)		
Seals		
H HNBR		
V FPM		
F MFQ		

FILTERS FOR POTENTIALLY EXPLOSIVE ATMOSPHERE

Designation & Ordering code

DIFFERENTIAL PRESSURE INDICATORS

Series	Configuration example 1:						
DE Electrical differential pressure indicator	DE	H	50	F	A	48	P01
DV Visual differential pressure indicator	Configuration example 2:						
	DV	X	70	V			P01

Type	DE	DV
A With automatic reset	-	•
M With manual reset	-	•
H Stainless steel hazardous area 420 bar	•	-
X Stainless steel standard type 420 bar	-	•
Y Stainless steel optional type 420 bar	-	•

Pressure setting	DEH	DVA	DVM	DVX	DVY
50 5.0 bar	•	•	•	•	•
70 7.0 bar	•	•	•	•	•
95 9.5 bar	-	•	•	•	•

Seals	DEH	DVA	DVM	DVX	DVY
H HNBR	-	•	•	•	•
V FPM	•	•	•	•	•
F MFQ	•	-	-	-	-

Thermostat	DEH
A Without thermostat	•
T With thermostat	-

Electrical connections	DEH
48 Connection via three-core cable - fitting M20x1.5	•
49 Connection via four-core cable - fitting 1/2" NPT	•
70 Connection IEC 61076-2-101 D (M12)	•

Option
P01 MP Filtri standard
Pxx Customized

PLUGS

Series	Configuration example	
T2 Plug	X2	H
X2 Stainless Steel plug 420 bar		
X3 Stainless Steel plug 700 bar (only for FZH)		

Seals	T2	X2	X3
H HNBR	•	•	•
V FPM	•	•	•
F MFQ	-	•	•

VACUUM INDICATORS

Technical data

VE*50 (EX)	
Electrical Vacuum Indicator Connection: EN 175301-803	
R	Ordering code
EN 10226 - R1/4"	VE A 21 x A 50 P01 VE A 21 x A 50 P01 EX
EN 10226 - R1/8"	VE B 21 A A 50 P01 VE B 21 A A 50 P01 EX

Hydraulic symbol

Electrical symbol

Materials

- Body: Brass
- Base: Black polyamide
- Contacts: Silver
- Seal: VEA: NBR/FPM
VEB: NBR

Technical data

- Vacuum setting: 0.21 bar ±10%
- Max working pressure: 10 bar
- Proof pressure: 15 bar
- Working temperature: From -25 °C to +80 °C
- Compatibility with fluids: Mineral oils, Synthetic fluids
HFB and HFC according to ISO 2943
- Degree of protection: IP65 according to EN 60529

Electrical data

- Electrical connection: EN 175301-803
- Resistive load: 5 A / 14 Vdc
4 A / 30 Vdc
5 A / 125 Vac
4 A / 250 Vac

- CE certification
- Available Atex product: II 1GD Ex ia IIC Tx Ex ia IIIC Tx °C X

Certification: ATEX, IECEx
- Certification included in EX version

VEA50 UL	
Electrical Vacuum Indicator Connection: EN 175301-803	
R	Ordering code
EN 10226 - R1/4"	VE A 21 A A 50 P01 UL

Hydraulic symbol

Electrical symbol

Materials

- Body: Brass
- Base: Black polyamide
- Contacts: Silver
- Seal: VEA: NBR/FPM
VEB: NBR

Technical data

- Vacuum setting: 0.21 bar ±10%
- Max working pressure: 10 bar
- Proof pressure: 15 bar
- Working temperature: From -25 °C to +80 °C
- Compatibility with fluids: Mineral oils, Synthetic fluids
HFB and HFC according to ISO 2943
- Degree of protection: IP65 according to EN 60529

Electrical data

- Electrical connection: EN 175301-803
- Resistive load: 5 A / 14 Vdc
4 A / 30 Vdc
5 A / 125 Vac
4 A / 250 Vac

- CE certification
- Available Atex product: II 1GD Ex ia IIC Tx Ex ia IIIC Tx °C X

Certification: UL
- Certification included in EX version

VL*51 - VL*52 - VL*53	
Electrical/Visual Vacuum Indicator Connection: EN 175301-803	
51: Transparent base with lamps 24 Vdc 52: Transparent base with lamps 110 Vdc 53: Transparent base with lamps 230 Vac	
R	Ordering code
EN 10226 - R1/4"	VL A 21 x A xx P01
EN 10226 - R1/8"	VL B 21 A A xx P01

Hydraulic symbol

Electrical symbol

Materials

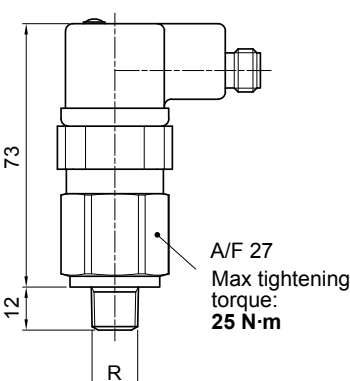
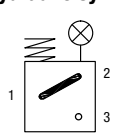
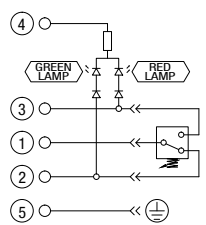
- Body: Brass
- Base: Transparent polyamide
- Contacts: Brass - Polyamide
- Seal: VLA: NBR/FPM
VLB: NBR

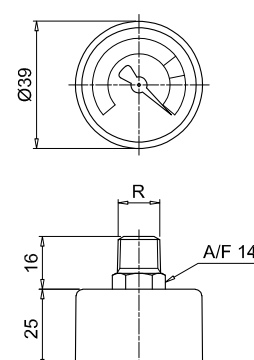

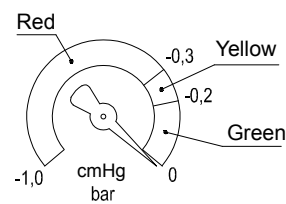
Technical data

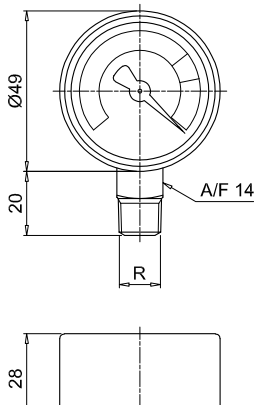

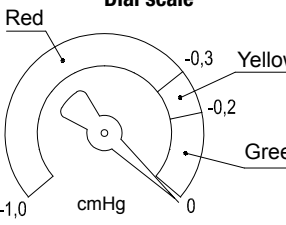
- Vacuum setting: 0.21 bar ±10%
- Max working pressure: 10 bar
- Proof pressure: 15 bar
- Working temperature: From -25 °C to +80 °C
- Compatibility with fluids: Mineral oils, Synthetic fluids
HFB and HFC according to ISO 2943
- Degree of protection: IP65 according to EN 60529

Electrical data

- Electrical connection: EN 175301-803
- Type: 51 52 53
- Lamps: 24 Vdc 110 Vdc 230 Vac
- Resistive load: 1 A / 24 Vdc 1 A / 110 Vdc 1 A / 230 Vac

VL*71	
Electrical/Visual Vacuum Indicator Connection IEC 61076-2-101 D (M12), black base with lamps 24 Vdc	
Connections	Indicator code
EN 10226 - R1/4"	VL A 21 x A 71 P01
EN 10226 - R1/8"	VL B 21 A A 71 P01
	
Hydraulic symbol 	
Electrical symbol 	
Materials - Body: Brass - Base: Black polyamide - Contacts: Silver - Seal: VLA: NBR/FPM VL B: NBR	
Technical data - Vacuum setting: 0.21 bar ±10% - Max working pressure: 10 bar - Proof pressure: 15 bar - Working temperature: From -25 °C to +80 °C - Compatibility with fluids: Mineral oils, Synthetic fluids HFB and HFC according to ISO 2943 - Degree of protection: IP65 according to EN 60529	
Electrical data - Electrical connection: IEC 61076-2-101 D (M12) - Lamps: 24 Vdc (black base) - Resistive load: 0.4 A / 24 Vdc	

VVA - VVB									
Axial Vacuum Gauge									
R	Ordering code								
EN 10226 - R1/4"	VVA 20 P01								
EN 10226 - R1/8"	VVB 20 P01								
									
Hydraulic symbol 									
Dial scale 									
Conversion to SI units <table border="1" style="margin: auto;"> <thead> <tr style="background-color: #cccccc;"> <th>[cmHg]</th> <th>[bar]</th> </tr> </thead> <tbody> <tr> <td>-12</td> <td>-0.16</td> </tr> <tr> <td>-18</td> <td>-0.24</td> </tr> <tr> <td>-76</td> <td>-1.01</td> </tr> </tbody> </table>		[cmHg]	[bar]	-12	-0.16	-18	-0.24	-76	-1.01
[cmHg]	[bar]								
-12	-0.16								
-18	-0.24								
-76	-1.01								
Materials - Case: Black plastic - Window: Clear plastic - Dial: White plastic - Pointer: Black plastic - Pressure connection: Cu-alloy - Pressure element: Bourdon tube Cu-alloy soft soldered, C type - Movement: Cu-alloy									
Technical data - Max working pressure: Steady: -0.7 bar Fluctuating: -0.6 bar Short time: -1.0 bar - Working temperature: Ambienti from -40 °C to +60 °C Fluid max + 60 °C Storage from -40 °C to +60 °C - Compatibility with fluids: Mineral oils, Synthetic fluids HFB and HFC according to ISO 2943 - Accuracy: Class 2.5 according to EN 13190 - Degree of protection: IP31 according to EN 60529									

VVR - VVS										
Radial Vacuum Gauge										
R	A/F	Ordering code								
EN 10226 - R1/4"	14	VVR 20 P01								
EN 10226 - R1/8"	11	VVS 20 P01								
										
Hydraulic symbol 										
Dial scale 										
Conversion to SI units <table border="1" style="margin: auto;"> <thead> <tr style="background-color: #cccccc;"> <th>[cmHg]</th> <th>[bar]</th> </tr> </thead> <tbody> <tr> <td>-12</td> <td>-0.16</td> </tr> <tr> <td>-18</td> <td>-0.24</td> </tr> <tr> <td>-76</td> <td>-1.01</td> </tr> </tbody> </table>			[cmHg]	[bar]	-12	-0.16	-18	-0.24	-76	-1.01
[cmHg]	[bar]									
-12	-0.16									
-18	-0.24									
-76	-1.01									
Materials - Case: Black plastic - Window: Clear plastic - Dial: White plastic - Pointer: Black plastic - Pressure connection: Cu-alloy - Pressure element: Bourdon tube Cu-alloy soft soldered, C type - Movement: Cu-alloy										
Technical data - Max working pressure: Steady: -0.7 bar Fluctuating: -0.6 bar Short time: -1.0 bar - Working temperature: Ambienti from -40 °C to +60 °C Fluid max + 60 °C Storage from -40 °C to +60 °C - Compatibility with fluids: Mineral oils, Synthetic fluids HFB and HFC according to ISO 2943 - Accuracy: Class 2.5 according to EN 13190 - Degree of protection: IP31 according to EN 60529										

BAROMETRIC (PRESSURE) INDICATORS

Dimensions

BEA*50 (EX)	
Electrical Pressure Indicator Connection EN 175301-803	
Settings	Ordering code
1.5 bar ±10%	BE A 15 HA 50 P01 BE A 15 HA 50 P01 EX
2.0 bar ±10%	BE A 20 HA 50 P01 BE A 20 HA 50 P01 EX

A/F 27
Max tightening torque: 25 N·m

EN 10226 - R1/8"

Hydraulic symbol

Electrical symbol

Materials

- Body: Brass
- Base: Black polyamide
- Contacts: Silver
- Seal: HNBR

Technical data

- Max working pressure: 40 bar
- Proof pressure: 60 bar
- Working temperature: From -25 °C to +80 °C
- Compatibility with fluids: Mineral oils, Synthetic fluids
HFB and HFC according to ISO 2943
- Degree of protection: IP65 according to EN 60529

Electrical data

- Electrical connection: EN 175301-803
- Resistive load: 5 A / 14 Vdc
4 A / 30 Vdc
5 A / 125 Vac
4 A / 250 Vac

- CE certification
- Available Atex product: I M1 Ex ia I Ma
II 1GD Ex ia IIC Tx Ex ia IIIC Tx °C X

Certification: ATEX, IECEx
- Certification included in EX version

BEA*50 UL	
Electrical Pressure Indicator Connection EN 175301-803	
Settings	Ordering code
1.5 bar ±10%	BE A 15 HA 50 P01 UL
2.0 bar ±10%	BE A 20 HA 50 P01 UL

A/F 27
Max tightening torque: 25 N·m

EN 10226 - R1/8"

Hydraulic symbol

Electrical symbol

Materials

- Body: Brass
- Base: Black polyamide
- Contacts: Silver
- Seal: HNBR

Technical data

- Max working pressure: 40 bar
- Proof pressure: 60 bar
- Working temperature: From -25 °C to +80 °C
- Compatibility with fluids: Mineral oils, Synthetic fluids
HFB and HFC according to ISO 2943
- Degree of protection: IP65 according to EN 60529

Electrical data

- Electrical connection: EN 175301-803
- Resistive load: 5 A / 14 Vdc
4 A / 30 Vdc
5 A / 125 Vac
4 A / 250 Vac

- CE certification
- Available Atex product: I M1 Ex ia I Ma
II 1GD Ex ia IIC Tx Ex ia IIIC Tx °C X

Certification: UL
- Certification included in EX version

BEM*41	
Electrical Pressure Indicator Connection via four-core cable	
Settings	Ordering code
1.5 bar ±10%	BE M 15 HA 41 P01
2.0 bar ±10%	BE M 20 HA 41 P01

A/F 27
Max tightening torque: 25 N·m

EN 10226 - R1/8"

Hydraulic symbol

Electrical symbol

Materials

- Body: Brass
- Base: Black polyamide
- Contacts: Silver
- Seal: HNBR

Technical data

- Max working pressure: 40 bar
- Proof pressure: 60 bar
- Working temperature: From -25 °C to +80 °C
- Compatibility with fluids: Mineral oils, Synthetic fluids
HFB and HFC according to ISO 2943
- Degree of protection: IP67 according to EN 60529

Electrical data

- Electrical connection: Four-core cable
- Resistive load: 5 A / 14 Vdc
4 A / 30 Vdc
5 A / 125 Vac
4 A / 250 Vac

- CE certification
- On request this indicator can be provided with main connectors in use for wirings.

BET*F10	
Electrical Pressure Indicator Connection AMP Superseal series 1.5	
Settings	Ordering code
2.0 bar $\pm 10\%$	BET 20 H F 10 P01
2.5 bar $\pm 10\%$	BET 25 H F 10 P01

Hydraulic symbol

Electrical symbol

Materials

- Body: Brass
- Base: Black polyamide
- Contacts: Silver
- Seal: HNBR

Technical data

- Max working pressure: 10 bar
- Proof pressure: 15 bar
- Working temperature: From -25 °C to +100 °C
- Compatibility with fluids: Mineral oils, Synthetic fluids HFB and HFC according to ISO 2943
- Degree of protection: IP65 according to EN 60529

Electrical data

- Electrical connection: AMP Superseal series 1.5
- Resistive load: 0.5 A / 48 Vdc
- Thermostat condition: Open up to 30 °C
- CE certification

BET*F30	
Electrical Pressure Indicator Deutsch DT-04-2-P	
Settings	Ordering code
2.0 bar $\pm 10\%$	BET 20 H F 30 P01
2.5 bar $\pm 10\%$	BET 25 H F 30 P01

Hydraulic symbol

Electrical symbol

Materials

- Body: Brass
- Base: Black polyamide
- Contacts: Silver
- Seal: HNBR

Technical data

- Max working pressure: 10 bar
- Proof pressure: 15 bar
- Working temperature: From -25 °C to +100 °C
- Compatibility with fluids: Mineral oils, Synthetic fluids HFB and HFC according to ISO 2943
- Degree of protection: IP65 according to EN 60529

Electrical data

- Electrical connection: Deutsch DT-04-2-P
- Resistive load: 0.5 A / 48 Vdc
- Thermostat condition: Open up to 30 °C
- CE certification

BET*F50	
Electrical Pressure Indicator Connection EN 175301-803	
Settings	Ordering code
2.0 bar $\pm 10\%$	BET 20 H F 50 P01
2.5 bar $\pm 10\%$	BET 25 H F 50 P01

Hydraulic symbol

Electrical symbol

Materials

- Body: Brass
- Base: Black polyamide
- Contacts: Silver
- Seal: HNBR

Technical data

- Max working pressure: 10 bar
- Proof pressure: 15 bar
- Working temperature: From -25 °C to +100 °C
- Compatibility with fluids: Mineral oils, Synthetic fluids HFB and HFC according to ISO 2943
- Degree of protection: IP65 according to EN 60529

Electrical data

- Electrical connection: EN 175301-803
- Resistive load: 0.5 A / 48 Vdc
- Thermostat condition: Open up to 30 °C
- CE certification

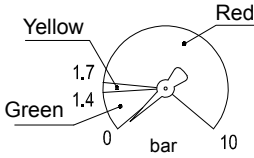
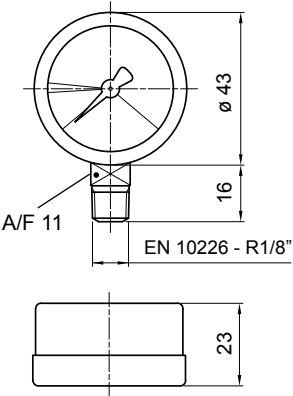
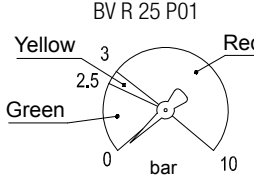
BAROMETRIC (PRESSURE) INDICATORS

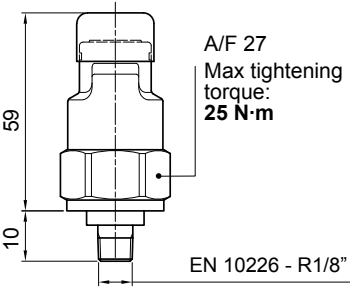
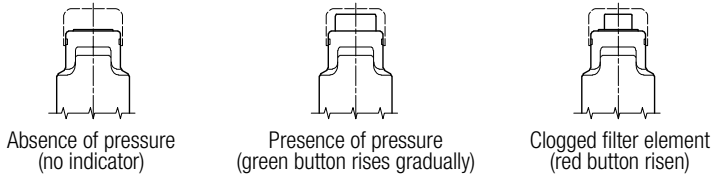
Dimensions

BL*51 - BL*52 - BL*53	
Electrical/Visual Pressure Indicator Connection: EN 175301-803	
51: Transparent base with lamps 24 Vdc 52: Transparent base with lamps 110 Vdc 53: Transparent base with lamps 230 Vac	
Settings	Ordering code
1.5 bar $\pm 10\%$	BL A 15 H A xx P01
2.0 bar $\pm 10\%$	BL A 20 H A xx P01
<p>Hydraulic symbol</p>	
<p>Electrical symbol</p>	
<p>Materials</p> <ul style="list-style-type: none"> - Body: Brass - Base: Transparent polyamide - Contacts: Silver - Seal: HNBR 	
<p>Technical data</p> <ul style="list-style-type: none"> - Max working pressure: 40 bar - Proof pressure: 60 bar - Working temperature: From -25 °C to +80 °C - Compatibility with fluids: Mineral oils, Synthetic fluids HFB and HFC according to ISO 2943 - Degree of protection: IP65 according to EN 60529 	
<p>Electrical data</p> <ul style="list-style-type: none"> - Electrical connection: EN 175301-803 - Type: 51 52 53 - Lamps: 24 Vdc 110 Vdc 230 Vac - Resistive load: 1 A / 24 Vdc 1 A / 110 Vdc 1 A / 230 Vac 	

BL*71	
Electrical/Visual Pressure Indicator Connection IEC 61076-2-101 D (M12), black base with lamps 24 Vdc	
Settings	Ordering code
1.5 bar $\pm 10\%$	BL A 15 H A 71 P01
2.0 bar $\pm 10\%$	BL A 20 H A 71 P01
<p>Hydraulic symbol</p>	
<p>Electrical symbol</p>	
<p>Materials</p> <ul style="list-style-type: none"> - Body: Brass - Base: Black polyamide - Contacts: Silver - Seal: HNBR 	
<p>Technical data</p> <ul style="list-style-type: none"> - Max working pressure: 40 bar - Proof pressure: 60 bar - Working temperature: From -25 °C to +80 °C - Compatibility with fluids: Mineral oils, Synthetic fluids HFB and HFC according to ISO 2943 - Degree of protection: IP65 according to EN 60529 	
<p>Electrical data</p> <ul style="list-style-type: none"> - Electrical connection: IEC 61076-2-101 D (M12) - Lamps: 24 Vdc (black base) - Resistive load: 0.4 A / 24 Vdc 	

BVA	
Axial Pressure Gauge	
Settings	Ordering code
1.4 bar $\pm 10\%$	BV A 14 P01
2.5 bar $\pm 10\%$	BV A 25 P01
<p>Hydraulic symbol</p>	
<p>Dial scale</p> <p>BV A 14 P01</p>	
<p>BV A 25 P01</p>	
<p>Materials</p> <ul style="list-style-type: none"> - Case: Painted Steel - Window: Clear plastic - Dial: Painted Steel - Pointer: Black plastic - Pressure connection: Brass - Pressure element: Bourdon tube Cu-alloy soft soldered, C type 	
<p>Technical data</p> <ul style="list-style-type: none"> - Max working pressure: Static: 7 bar Fluctuating: 6 bar Short time: 10 bar - Working temperature: Ambient from -40 °C to +60 °C Fluid max +60 °C - Compatibility with fluids: Mineral oils, Synthetic fluids HFB and HFC according to ISO 2943 - Accuracy: Class 2.5 according to EN 13190 - Degree of protection: IP31 according to EN 60529 	

BVR		Hydraulic symbol	Materials
Radial Pressure Gauge			
Settings	Ordering code		
1.4 bar ±10%	BV R 14 P01	Dial scale BV R 14 P01 	
2.5 bar ±10%	BV R 25 P01		
			
			Technical data <ul style="list-style-type: none"> - Max working pressure: Static: 7 bar Fluctuating: 6 bar Short time: 10 bar - Working temperature: Ambient from -40 °C to +60 °C Fluid max +60 °C - Compatibility with fluids: Mineral oils, Synthetic fluids HFB and HFC according to ISO 2943 - Accuracy: Class 2.5 according to EN 13190 - Degree of protection: IP31 according to EN 60529

BVP - BVQ		Hydraulic symbol	Materials
Visual Pressure Indicator			
Setting	Ordering code		
1.5 bar ±10%	BV P 15 H P01		Technical data <ul style="list-style-type: none"> - Reset: BVP - Automatic reset BVQ - Manual reset - Max working pressure: 10 bar - Proof pressure: 15 bar - Working temperature: From -25 °C to +80 °C - Compatibility with fluids: Mineral oils, Synthetic fluids HFB and HFC according to ISO 2943 - Degree of protection: IP45 according to EN 60529
	BV Q 15 H P01		
2.0 bar ±10%	BV P 20 H P01		
	BV Q 20 H P01		
		Signals 	

DIFFERENTIAL PRESSURE INDICATORS

Dimensions

DEA*50	
Electrical Differential Pressure Indicator Connection: EN 175301-803	
Settings	Ordering code
1.2 bar ±10%	DE A 12 x A 50 P01
2.0 bar ±10%	DE A 20 x A 50 P01
5.0 bar ±10%	DE A 50 x A 50 P01
7.0 bar ±10%	DE A 70 x A 50 P01
9.5 bar ±10%	DE A 95 x A 50 P01

A/F 30
Max tightening torque: **65 N·m**

Hydraulic symbol

Electrical symbol

Materials

- Body: Brass
- Base: Black polyamide
- Contacts: Silver
- Seal: HNBR - FPM

Technical data

- Max working pressure: 420 bar
- Proof pressure: 630 bar
- Burst pressure: 1260 bar
- Working temperature: From -25 °C to +110 °C
- Compatibility with fluids: Mineral oils, Synthetic fluids
HFB and HFC according to ISO 2943
- Degree protection: IP66 according to EN 60529
IP69K according to ISO 20653

Electrical data

- Electrical connection: EN 175301-803
- Resistive load: 0.2 A / 115 Vdc

DEH*48	
Hazardous Area Electrical Differential Pressure Indicator Connection via three-core cable - fitting M20x1.5	
Settings	Ordering code
2.0 bar ±10%	DE H 20 x A 48 P01
5.0 bar ±10%	DE H 50 x A 48 P01
7.0 bar ±10%	DE H 70 x A 48 P01

A/F 25
Max tightening torque: **100 N·m**

M20 x 1.5
flexible cable ≈ 5000 to A

min. 110
88

Hydraulic symbol

Electrical symbol

Materials

- Body: AISI 316L
- Contacts: Rhodium
- Seal: FPM - MFQ

Technical data

- Max working pressure: 420 bar
- Proof pressure: 630 bar
- Burst pressure: 1260 bar
- Working temperature: From -60 °C to +125 °C
- Compatibility with fluids: Mineral oils, Synthetic fluids
HFB and HFC according to ISO 2943
- Temperature class: T4 (135 °C) and T6 (85 °C)
- Degree of protection: IP 66/67/68 according to EN 60529
- Connection type: Three-core cable, fitting M20x1.5
- Contact type: SPCO/SPDT (Hermetically sealed - Volt-free contacts)

Electrical data

- Connection via three-core cable - fitting M20x1.5
- Resistive Load: 830 mA / 24 Vdc - 180 mA / 110 Vac
- Electrical Ratings: $U_i = 30 \text{ Vdc} / I_i = 250 \text{ mA} / P_i = 1.3 \text{ W}$
- Available ATEX product: II 1 GD Ex ia IIC T6 Ga -60°C ≤ Ta ≤ 80°C
Ex ia IIC T4 Ga -60°C ≤ Ta ≤ 125°C
II 2 GD Ex db IIC T6* Gb Ex tb IIIC T85°C* Db
(Tamb : = -60°C to +70°C)* IP66/67
* alternative T/Class and ambients T4, T135°C
(Tamb = -60°C to +120°C)

Certification / Approvals:
ATEX, IECEx, EAC TR CU, INMETRO
- Certification included as standard

DEH*49	
Hazardous Area Electrical Differential Pressure Indicator Connection via four-core cable - fitting 1/2" NPT	
Settings	Ordering code
2.0 bar ±10%	DE H 20 x A 49 P01
5.0 bar ±10%	DE H 50 x A 49 P01
7.0 bar ±10%	DE H 70 x A 49 P01

A/F 25
Max tightening torque: **100 N·m**

1/2" NPT
flexible cable ≈ 5000 to A

min. 110
88

Hydraulic symbol

Electrical symbol

Materials

- Body: AISI 316L
- Contacts: Rhodium
- Seal: FPM - MFQ

Technical data

- Max working pressure: 420 bar
- Proof pressure: 630 bar
- Burst pressure: 1260 bar
- Working temperature: From -60 °C to +120 °C : ATEX, IECEx, EAC TR CU, INMETRO
From -60 °C to +105 °C : UL/CSA
- Compatibility with fluids: Mineral oils, Synthetic fluids
HFB and HFC according to ISO 2943
- Temperature class: T4 (135 °C) and T6 (85 °C)
- Degree of protection: IP 66/67/68 according to EN 60529
- Connection type: Four-core cable, fitting 1/2" NPT
- Contact type: SPCO/SPDT (Hermetically sealed - Volt-free contacts)

Electrical data

- Connection via four-core cable - fitting 1/2" NPT
- Resistive Load: 830 mA / 24 Vdc - 180 mA / 110 Vac
- Max voltage: 150 Vac/dc
- Power: 20 W
- Available ATEX product: II 1 GD Ex ia IIC T6 Ga -60°C ≤ Ta ≤ 80°C
Ex ia IIC T4 Ga -60°C ≤ Ta ≤ 125°C
II 2 GD Ex db IIC T6* Gb Ex tb IIIC T85°C* Db
(Tamb : = -60°C to +70°C)* IP66/67
* alternative T/Class and ambients T4, T135°C
(Tamb = -60°C to +120°C)

Certification / Approvals:
ATEX, IECEx, EAC TR CU, INMETRO, UL/CSA Class I Division 1 Groups A-D, UL/CSA Class II Division 1 Groups E-G
- Certification included as standard

DEH*70		Hydraulic symbol	Materials
Hazardous Area Electrical Differential Pressure Indicator Connection IEC 61076-2-101 D (M12)			
Settings	Ordering code		
2.0 bar ±10%	DE H 20 x A 70 P01	Electrical symbol 	Technical data - Max working pressure: 420 bar - Proof pressure: 630 bar - Burst pressure: 1260 bar - Working temperature: From -60 °C to +80 °C - Compatibility with fluids: Mineral oils, Synthetic fluids HFB and HFC according to ISO 2943 - Temperature class: T6 (85 °C) - Degree of protection: IP 66/67 according to EN 60529 - Connection type: IEC 61076-2-101 D (M12) - Contact type: SPCO/SPDT (Hermetically sealed - Volt-free contacts)
5.0 bar ±10%	DE H 50 x A 70 P01		
7.0 bar ±10%	DE H 70 x A 70 P01		
		Electrical data - Connection IEC 61076-2-101 D (M12) - Resistive Load: 830 mA / 24 Vdc - 180 mA / 110 Vdc - Electrical Ratings: <i>U_i</i> = 30 Vdc <i>I_i</i> = 250 mA <i>P_i</i> = 1.3 W - Available ATEX product: II 1 GD Ex ia IIC T6 Ga -60°C ≤ Ta ≤ 80°C Ex ia IIC T4 Ga -60°C ≤ Ta ≤ 125°C II 2 GD Ex db IIC T6* Gb Ex tb IIIC T85°C* Db (Tamb = -60°C to +70°C)* IP66/67 * alternative T/Class and ambients T4, T135°C (Tamb = -60°C to +120°C)	

- Certification / Approvals: ATEX, IECEx, EAC TR CU, INMETRO
 - Certification included as standard

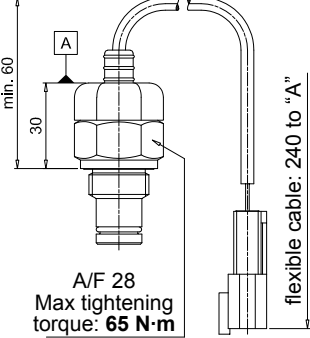
DEM*F10		Hydraulic symbol	Materials
Electrical Differential Pressure Indicator Connection: AMP Superseal series 1.5			
Settings	Ordering code		
1.2 bar ±10%	DE M 12 x F 10 P01	Electrical symbol 	Technical data - Max working pressure: 420 bar - Proof pressure: 630 bar - Burst pressure: 1260 bar - Working temperature: From -25 °C to +110 °C - Compatibility with fluids: Mineral oils, Synthetic fluids HFB and HFC according to ISO 2943 - Degree protection: IP66 according to EN 60529
2.0 bar ±10%	DE M 20 x F 10 P01		
5.0 bar ±10%	DE M 50 x F 10 P01		
7.0 bar ±10%	DE M 70 x F 10 P01		
9.5 bar ±10%	DE M 95 x F 10 P01		
		Electrical data - Electrical connection: AMP Superseal series 1.5 - Resistive load: 0.2 A / 115 Vdc - Switching type: Normally open contacts (NC on request) - Thermal lockout: Normally open up to 30 °C (option "F")	

DEM*F20		Hydraulic symbol	Materials
Electrical Differential Pressure Indicator AMP Time junior			
Settings	Ordering code		
1.2 bar ±10%	DE M 12 x F 20 P01	Electrical symbol 	Technical data - Max working pressure: 420 bar - Proof pressure: 630 bar - Burst pressure: 1260 bar - Working temperature: From -25 °C to +110 °C - Compatibility with fluids: Mineral oils, Synthetic fluids HFB and HFC according to ISO 2943 - Degree protection: IP66 according to EN 60529
2.0 bar ±10%	DE M 20 x F 20 P01		
5.0 bar ±10%	DE M 50 x F 20 P01		
7.0 bar ±10%	DE M 70 x F 20 P01		
9.5 bar ±10%	DE M 95 x F 20 P01		
		Electrical data - Electrical connection: AMP Time junior - Resistive load: 0.2 A / 115 Vdc - Switching type: Normally open contacts (NC on request) - Thermal lockout: Normally open up to 30 °C (option "F")	

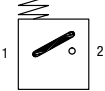
DIFFERENTIAL PRESSURE INDICATORS

Dimensions

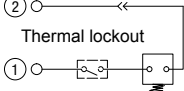
DEM*F30	
Electrical Differential Pressure Indicator Deutsch DT-04-2-P	
Settings	Ordering code
1.2 bar ±10%	DE M 12 x F 30 P01
2.0 bar ±10%	DE M 20 x F 30 P01
5.0 bar ±10%	DE M 50 x F 30 P01
7.0 bar ±10%	DE M 70 x F 30 P01
9.5 bar ±10%	DE M 95 x F 30 P01



Hydraulic symbol



Electrical symbol



Materials

- Body: Brass
- Base: Black polyamide
- Contacts: Silver
- Seal: HNBR - FPM

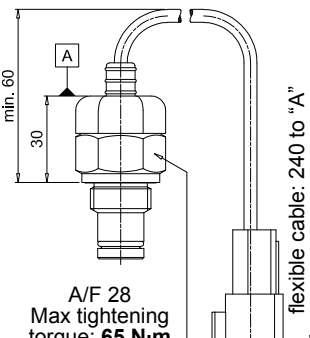
Technical data

- Max working pressure: 420 bar
- Proof pressure: 630 bar
- Burst pressure: 1260 bar
- Working temperature: From -25 °C to +110 °C
- Compatibility with fluids: Mineral oils, Synthetic fluids
HFB and HFC according to ISO 2943
- Degree protection: IP66 according to EN 60529

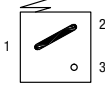
Electrical data

- Electrical connection: Deutsch DT-04-2-P
- Resistive load: 0.2 A / 115 Vdc
- Switching type: Normally open contacts (NC on request)
- Thermal lockout: Normally open up to 30 °C (option "F")

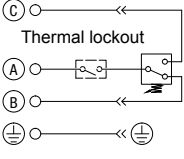
DEM*F35	
Electrical Differential Pressure Indicator Deutsch DT-04-3-P	
Settings	Ordering code
1.2 bar ±10%	DE M 12 x F 35 P01
2.0 bar ±10%	DE M 20 x F 35 P01
5.0 bar ±10%	DE M 50 x F 35 P01
7.0 bar ±10%	DE M 70 x F 35 P01
9.5 bar ±10%	DE M 95 x F 35 P01



Hydraulic symbol



Electrical symbol



Materials

- Body: Brass
- Base: Black polyamide
- Contacts: Silver
- Seal: HNBR - FPM

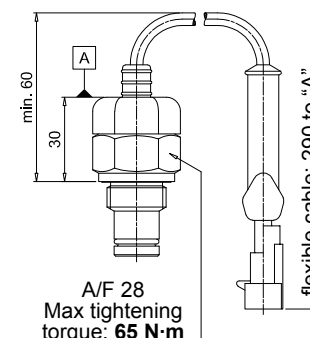
Technical data

- Max working pressure: 420 bar
- Proof pressure: 630 bar
- Burst pressure: 1260 bar
- Working temperature: From -25 °C to +110 °C
- Compatibility with fluids: Mineral oils, Synthetic fluids
HFB and HFC according to ISO 2943
- Degree protection: IP66 according to EN 60529

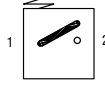
Electrical data

- Electrical connection: Deutsch DT-04-3-P
- Resistive load: 0.2 A / 115 Vdc
- Switching type: SPDT contact
- Thermal lockout: Normally open up to 30 °C (option "F")

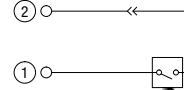
DEM*A10	
Electrical Differential Pressure Indicator Connection: AMP Superseal series 1.5	
Settings	Ordering code
1.2 bar ±10%	DE M 12 x A 10 P01
2.0 bar ±10%	DE M 20 x A 10 P01
5.0 bar ±10%	DE M 50 x A 10 P01
7.0 bar ±10%	DE M 70 x A 10 P01
9.5 bar ±10%	DE M 95 x A 10 P01



Hydraulic symbol



Electrical symbol



Materials

- Body: Brass
- Base: Black polyamide
- Contacts: Silver
- Seal: HNBR - FPM

Technical data

- Max working pressure: 420 bar
- Proof pressure: 630 bar
- Burst pressure: 1260 bar
- Working temperature: From -25 °C to +110 °C
- Compatibility with fluids: Mineral oils, Synthetic fluids
HFB and HFC according to ISO 2943
- Degree protection: IP66 according to EN 60529

Electrical data

- Electrical connection: AMP Superseal series 1.5
- Resistive load: 0.2 A / 115 Vdc
- Switching type: Normally open contacts (NC on request)

DEM*A20
Electrical Differential Pressure Indicator
AMP Time junior

Settings	Ordering code
1.2 bar ±10%	DE M 12 x A 20 P01
2.0 bar ±10%	DE M 20 x A 20 P01
5.0 bar ±10%	DE M 50 x A 20 P01
7.0 bar ±10%	DE M 70 x A 20 P01
9.5 bar ±10%	DE M 95 x A 20 P01

A/F 28
Max tightening torque: **65 N·m**

Hydraulic symbol

Electrical symbol

Materials

- Body: Brass
- Base: Black polyamide
- Contacts: Silver
- Seal: HNBR - FPM

Technical data

- Max working pressure: 420 bar
- Proof pressure: 630 bar
- Burst pressure: 1260 bar
- Working temperature: From -25 °C to +110 °C
- Compatibility with fluids: Mineral oils, Synthetic fluids
HFB and HFC according to ISO 2943
- Degree protection: IP66 according to EN 60529

Electrical data

- Electrical connection: AMP Time junior
- Resistive load: 0.2 A / 115 Vdc
- Switching type: Normally open contacts (NC on request)

DEM*A30
Electrical Differential Pressure Indicator
Deutsch DT-04-2-P

Settings	Ordering code
1.2 bar ±10%	DE M 12 x A 30 P01
2.0 bar ±10%	DE M 20 x A 30 P01
5.0 bar ±10%	DE M 50 x A 30 P01
7.0 bar ±10%	DE M 70 x A 30 P01
9.5 bar ±10%	DE M 95 x A 30 P01

A/F 28
Max tightening torque: **65 N·m**

Hydraulic symbol

Electrical symbol

Materials

- Body: Brass
- Base: Black polyamide
- Contacts: Silver
- Seal: HNBR - FPM

Technical data

- Max working pressure: 420 bar
- Proof pressure: 630 bar
- Burst pressure: 1260 bar
- Working temperature: From -25 °C to +110 °C
- Compatibility with fluids: Mineral oils, Synthetic fluids
HFB and HFC according to ISO 2943
- Degree protection: IP66 according to EN 60529

Electrical data

- Electrical connection: Deutsch DT-04-2-P
- Resistive load: 0.2 A / 115 Vdc
- Switching type: Normally open contacts (NC on request)

DEM*A35
Electrical Differential Pressure Indicator
Deutsch DT-04-3-P

Settings	Ordering code
1.2 bar ±10%	DE M 12 x A 35 P01
2.0 bar ±10%	DE M 20 x A 35 P01
5.0 bar ±10%	DE M 50 x A 35 P01
7.0 bar ±10%	DE M 70 x A 35 P01
9.5 bar ±10%	DE M 95 x A 35 P01

A/F 28
Max tightening torque: **65 N·m**

Hydraulic symbol

Electrical symbol

Materials

- Body: Brass
- Base: Black polyamide
- Contacts: Silver
- Seal: HNBR - FPM

Technical data

- Max working pressure: 420 bar
- Proof pressure: 630 bar
- Burst pressure: 1260 bar
- Working temperature: From -25 °C to +110 °C
- Compatibility with fluids: Mineral oils, Synthetic fluids
HFB and HFC according to ISO 2943
- Degree protection: IP66 according to EN 60529

Electrical data

- Electrical connection: Deutsch DT-04-3-P
- Resistive load: 0.2 A / 115 Vdc
- Switching type: SPDT contact

DIFFERENTIAL PRESSURE INDICATORS

Dimensions

DES*10	
Electrical Differential Pressure Indicator AMP Superseal series 1.5	
Settings	Ordering code
1.2 bar $\pm 10\%$	DE S 12 H A 10 P01
2.5 bar $\pm 10\%$	DE S 25 H A 10 P01
4.0 bar $\pm 10\%$	DE S 40 H A 10 P01

Hydraulic symbol

Electrical symbol

Materials

- Body: Brass
- Internal parts: Brass - Polyamide
- Contacts: Silver
- Seal: HNBR

Technical data

- Max working pressure: 16 bar
- Proof pressure: 24 bar
- Burst pressure: 48 bar
- Working temperature: From -25 °C to +110 °C
- Compatibility with fluids: Mineral oils, Synthetic fluids

- Degree protection: IP67 according to EN 60529

Electrical data

- Electrical connection: AMP Superseal series 1.5
- Resistive load: 0.2 A / 24 Vdc
- Switching type: Normally open contacts (NC on request)

DES*30	
Electrical Differential Pressure Indicator Deutsch DT-04-2-P	
Settings	Ordering code
1.2 bar $\pm 10\%$	DE S 12 H A 30 P01
2.5 bar $\pm 10\%$	DE S 25 H A 30 P01
4.0 bar $\pm 10\%$	DE S 40 H A 30 P01

Hydraulic symbol

Electrical symbol

Materials

- Body: Brass
- Internal parts: Brass - Polyamide
- Contacts: Silver
- Seal: HNBR

Technical data

- Max working pressure: 16 bar
- Proof pressure: 24 bar
- Burst pressure: 48 bar
- Working temperature: From -25 °C to +110 °C
- Compatibility with fluids: Mineral oils, Synthetic fluids

- Degree protection: IP67 according to EN 60529

Electrical data

- Electrical connection: Deutsch DT-04-2-P
- Resistive load: 0.2 A / 24 Vdc
- Switching type: Normally open contacts (NC on request)

DES*80	
Electrical Differential Pressure Indicator Stud #10-32 UNF	
Settings	Ordering code
1.2 bar $\pm 10\%$	DE S 12 H A 80 P01
2.5 bar $\pm 10\%$	DE S 25 H A 80 P01
4.0 bar $\pm 10\%$	DE S 40 H A 80 P01

Hydraulic symbol

Electrical symbol

Materials

- Body: Brass
- Internal parts: Brass - Polyamide
- Contacts: Silver
- Seal: HNBR

Technical data

- Max working pressure: 16 bar
- Proof pressure: 24 bar
- Burst pressure: 48 bar
- Working temperature: From -25 °C to +110 °C
- Compatibility with fluids: Mineral oils, Synthetic fluids

- Degree protection: IP67 according to EN 60529

Electrical data

- Electrical connection: Stud #10-32 UNF
- Resistive load: 0.2 A / 24 Vdc
- Switching type: Normally open contacts (NC on request)

DEU*50 UL
Electrical Differential Pressure Indicator
 Connection EN 175301-803

Settings	Ordering code
2.0 bar ±10%	DE U 20 V A 50 P01 UL
5.0 bar ±10%	DE U 50 V A 50 P01 UL
7.0 bar ±10%	DE U 70 V A 50 P01 UL

A/F 30
Max tightening torque: **50 N·m**

Hydraulic symbol

Electrical symbol

UL
 - Certification: UL
 - Certification included as standard

Materials

- Body: Brass
- Base: Black Polyamide
- Contacts: Silver
- Seal: FPM

Technical data

- Max working pressure: 210 bar
- Proof pressure: 220 bar
- Burst pressure: 880 bar
- Working temperature: From -25 °C to +85 °C
- Compatibility with fluids: Mineral oils, Synthetic fluids
HFB and HFC according to ISO 2943
- Degree protection: IP65 according to EN 60529

Electrical data

- Electrical connection: EN 175301-803
- Resistive load: 3 A / 30 Vdc
3 A / 125 Vac
3 (3) A / 250 Vac

DEX*50
Electrical Differential Pressure Indicator
 Connection: EN 175301-803

Settings	Ordering code
1.2 bar ±10%	DE X 12 x A 50 P01
2.0 bar ±10%	DE X 20 x A 50 P01
5.0 bar ±10%	DE X 50 x A 50 P01
7.0 bar ±10%	DE X 70 x A 50 P01
9.5 bar ±10%	DE X 95 x A 50 P01

A/F 30
Max tightening torque: **65 N·m**

Hydraulic symbol

Electrical symbol

Materials

- Body: AISI 316L
- Base: Black polyamide
- Contacts: Silver
- Seal: HNBR - MFQ

Technical data

- Max working pressure: 420 bar
- Proof pressure: 630 bar
- Burst pressure: 1260 bar
- Working temperature: From -25 °C to +110 °C
- Compatibility with fluids: Mineral oils, Synthetic fluids
HFB and HFC according to ISO 2943
- Degree protection: IP66 according to EN 60529
IP69K according to ISO 20653

Electrical data

- Electrical connection: EN 175301-803
- Resistive load: 0.2 A / 115 Vdc

DEZ*50
Electrical Differential Pressure Indicator
 Connection: EN 175301-803

Settings	Ordering code
1.2 bar ±10%	DE Z 12 x A 50 P01
2.5 bar ±10%	DE Z 25 x A 50 P01
5.0 bar ±10%	DE Z 50 x A 50 P01
7.0 bar ±10%	DE Z 70 x A 50 P01
9.5 bar ±10%	DE Z 95 x A 50 P01

A/F 30
Max tightening torque: **110 N·m**

Hydraulic symbol

Electrical symbol

Materials

- Body: AISI 316L
- Base: Black polyamide
- Contacts: Silver
- Seal: HNBR - MFQ

Technical data

- Max working pressure: 700 bar
- Proof pressure: 1050 bar
- Burst pressure: 2100 bar
- Working temperature: From -25 °C to +110 °C
- Compatibility with fluids: Mineral oils, Synthetic fluids
HFA, HFB, HFC according to ISO 2943
- Degree protection: IP66 according to EN 60529
IP69K according to ISO 20653

Electrical data

- Electrical connection: EN 175301-803
- Resistive load: 0.2 A / 115 Vdc

DIFFERENTIAL PRESSURE INDICATORS

Dimensions

<p>DLA*51 - DLA*52 Electrical/Visual Differential Pressure Indicator Connection: EN 175301-803 51: Transparent base with lamps 24 Vdc 52: Transparent base with lamps 110 Vdc</p> <table border="1"> <thead> <tr> <th>Settings</th> <th>Ordering code</th> </tr> </thead> <tbody> <tr> <td>1.2 bar \pm10%</td> <td>DL A 12 x A xx P01</td> </tr> <tr> <td>2.0 bar \pm10%</td> <td>DL A 20 x A xx P01</td> </tr> <tr> <td>5.0 bar \pm10%</td> <td>DL A 50 x A xx P01</td> </tr> <tr> <td>7.0 bar \pm10%</td> <td>DL A 70 x A xx P01</td> </tr> <tr> <td>9.5 bar \pm10%</td> <td>DL A 95 x A xx P01</td> </tr> </tbody> </table> <p>A/F 30 Max tightening torque: 65 N·m</p>	Settings	Ordering code	1.2 bar \pm 10%	DL A 12 x A xx P01	2.0 bar \pm 10%	DL A 20 x A xx P01	5.0 bar \pm 10%	DL A 50 x A xx P01	7.0 bar \pm 10%	DL A 70 x A xx P01	9.5 bar \pm 10%	DL A 95 x A xx P01	<p>Hydraulic symbol</p> <p>Electrical symbol</p>	<p>Materials</p> <ul style="list-style-type: none"> - Body: Brass - Base: Transparent polyamide - Contacts: Silver - Seal: HNBR - FPM <p>Technical data</p> <ul style="list-style-type: none"> - Max working pressure: 420 bar - Proof pressure: 630 bar - Burst pressure: 1260 bar - Working temperature: From -25 °C to +110 °C - Compatibility with fluids: Mineral oils, Synthetic fluids HFB and HFC according to ISO 2943 - Degree protection: IP66 according to EN 60529 IP69K according to ISO 20653 <p>Electrical data</p> <ul style="list-style-type: none"> - Electrical connection: EN 175301-803 - Type: 51 52 - Lamps: 24 Vdc 110 Vdc - Resistive load: 1 A / 24 Vdc 1 A / 110 Vdc
Settings	Ordering code													
1.2 bar \pm 10%	DL A 12 x A xx P01													
2.0 bar \pm 10%	DL A 20 x A xx P01													
5.0 bar \pm 10%	DL A 50 x A xx P01													
7.0 bar \pm 10%	DL A 70 x A xx P01													
9.5 bar \pm 10%	DL A 95 x A xx P01													
<p>DLA*71 Electrical/Visual Differential pressure indicator Connection IEC 61076-2-101 D (M12), black base with lamps 24 Vdc</p> <table border="1"> <thead> <tr> <th>Settings</th> <th>Ordering code</th> </tr> </thead> <tbody> <tr> <td>1.2 bar \pm10%</td> <td>DL A 12 x A 71 P01</td> </tr> <tr> <td>2.0 bar \pm10%</td> <td>DL A 20 x A 71 P01</td> </tr> <tr> <td>5.0 bar \pm10%</td> <td>DL A 50 x A 71 P01</td> </tr> <tr> <td>7.0 bar \pm10%</td> <td>DL A 70 x A 71 P01</td> </tr> <tr> <td>9.5 bar \pm10%</td> <td>DL A 95 x A 71 P01</td> </tr> </tbody> </table> <p>A/F 30 Max tightening torque: 65 N·m</p>	Settings	Ordering code	1.2 bar \pm 10%	DL A 12 x A 71 P01	2.0 bar \pm 10%	DL A 20 x A 71 P01	5.0 bar \pm 10%	DL A 50 x A 71 P01	7.0 bar \pm 10%	DL A 70 x A 71 P01	9.5 bar \pm 10%	DL A 95 x A 71 P01	<p>Hydraulic symbol</p> <p>Electrical symbol</p>	<p>Materials</p> <ul style="list-style-type: none"> - Body: Brass - Base: Black polyamide - Contacts: Silver - Seal: HNBR - FPM <p>Technical data</p> <ul style="list-style-type: none"> - Max working pressure: 420 bar - Proof pressure: 630 bar - Burst pressure: 1260 bar - Working temperature: From -25 °C to +110 °C - Compatibility with fluids: Mineral oils, Synthetic fluids HFB and HFC according to ISO 2943 - Degree protection: IP65 according to EN 60529 IP69K according to ISO 20653 <p>Electrical data</p> <ul style="list-style-type: none"> - Electrical connection: IEC 61076-2-101 D (M12) - Lamps: 24 Vdc (black base) - Resistive load: 0.4 A / 24 Vdc
Settings	Ordering code													
1.2 bar \pm 10%	DL A 12 x A 71 P01													
2.0 bar \pm 10%	DL A 20 x A 71 P01													
5.0 bar \pm 10%	DL A 50 x A 71 P01													
7.0 bar \pm 10%	DL A 70 x A 71 P01													
9.5 bar \pm 10%	DL A 95 x A 71 P01													
<p>DLE*A50 Electrical/Visual Differential Pressure Indicator Without term. Connections: EN 175301-803</p> <table border="1"> <thead> <tr> <th>Settings</th> <th>Ordering code</th> </tr> </thead> <tbody> <tr> <td>1.2 bar \pm10%</td> <td>DL E 12 x A 50 P01</td> </tr> <tr> <td>2.0 bar \pm10%</td> <td>DL E 20 x A 50 P01</td> </tr> <tr> <td>5.0 bar \pm10%</td> <td>DL E 50 x A 50 P01</td> </tr> <tr> <td>7.0 bar \pm10%</td> <td>DL E 70 x A 50 P01</td> </tr> <tr> <td>9.5 bar \pm10%</td> <td>DL E 95 x A 50 P01</td> </tr> </tbody> </table> <p>A/F 32 Max tightening torque: 95 N·m</p>	Settings	Ordering code	1.2 bar \pm 10%	DL E 12 x A 50 P01	2.0 bar \pm 10%	DL E 20 x A 50 P01	5.0 bar \pm 10%	DL E 50 x A 50 P01	7.0 bar \pm 10%	DL E 70 x A 50 P01	9.5 bar \pm 10%	DL E 95 x A 50 P01	<p>Hydraulic symbol</p> <p>Electrical symbol</p>	<p>Materials</p> <ul style="list-style-type: none"> - Body: Brass - Base: Black polyamide - Contacts: Silver - Seal: HNBR - FPM <p>Technical data</p> <ul style="list-style-type: none"> - Max working pressure: 420 bar - Proof pressure: 630 bar - Burst pressure: 1260 bar - Working temperature: From -25 °C to +110 °C - Compatibility with fluids: Mineral oils, Synthetic fluids HFB and HFC according to ISO 2943 - Degree protection: IP65 according to EN 60529 <p>Electrical data</p> <ul style="list-style-type: none"> - Electrical connections: EN 175301-803 - Resistive load: 5 A / 250 Vac - Available the connector with lamps
Settings	Ordering code													
1.2 bar \pm 10%	DL E 12 x A 50 P01													
2.0 bar \pm 10%	DL E 20 x A 50 P01													
5.0 bar \pm 10%	DL E 50 x A 50 P01													
7.0 bar \pm 10%	DL E 70 x A 50 P01													
9.5 bar \pm 10%	DL E 95 x A 50 P01													

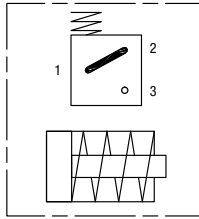
DLE*F50

Electrical/Visual Differential Pressure Indicator
With term. Connections: EN 175301-803

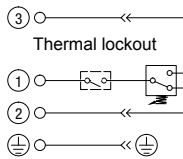
Settings	Ordering code
1.2 bar ±10%	DL E 12 x F 50 P01
2.0 bar ±10%	DL E 20 x F 50 P01
5.0 bar ±10%	DL E 50 x F 50 P01
7.0 bar ±10%	DL E 70 x F 50 P01
9.5 bar ±10%	DL E 95 x F 50 P01

A/F 32
Max tightening torque: 95 N·m

Hydraulic symbol



Electrical symbol



Materials

- Body: Brass
- Base: Black polyamide
- Contacts: Silver
- Seal: HNBR - FPM

Technical data

- Max working pressure: 420 bar
- Proof pressure: 630 bar
- Burst pressure: 1260 bar
- Working temperature: From -25 °C to +110 °C
- Compatibility with fluids: Mineral oils, Synthetic fluids
HFB and HFC according to ISO 2943
- Degree protection: IP65 according to EN 60529

Electrical data

- Electrical connections: EN 175301-803
- Resistive load: 5 A / 250 Vdc
- Thermal lockout setting: +30 °C

DLX*51 - DLX*52

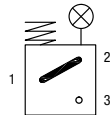
Electrical/Visual Differential Pressure Indicator
Connection: EN 175301-803

51: Transparent base with lamps 24 Vdc
52: Transparent base with lamps 110 Vdc

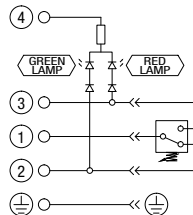
Settings	Ordering code
1.2 bar ±10%	DL X 12 x A 5x P01
2.0 bar ±10%	DL X 20 x A 5x P01
5.0 bar ±10%	DL X 50 x A 5x P01
7.0 bar ±10%	DL X 70 x A 5x P01
9.5 bar ±10%	DL X 95 x A 5x P01

A/F 30
Max tightening torque: 65 N·m

Hydraulic symbol



Electrical symbol



Materials

- Body: AISI 316L
- Base: Transparent polyamide
- Contacts: Silver
- Seal: HNBR - MFQ

Technical data

- Max working pressure: 420 bar
- Proof pressure: 630 bar
- Burst pressure: 1260 bar
- Working temperature: From -25 °C to +110 °C
- Compatibility with fluids: Mineral oils, Synthetic fluids
HFB and HFC according to ISO 2943
- Degree protection: IP66 according to EN 60529
IP69K according to ISO 20653

Electrical data

- Electrical connection: EN 175301-803
- Type: 51 52
- Lamps: 24 Vdc 110 Vdc
- Resistive load: 1 A / 24 Vdc 1 A / 110 Vdc

DLZ*51 - DLZ*52

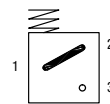
Electrical/Visual Differential Pressure Indicator
Connection: EN 175301-803

51: Transparent base with lamps 24 Vdc
52: Transparent base with lamps 110 Vdc

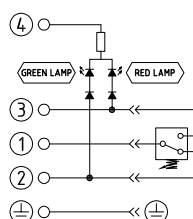
Settings	Ordering code
1.2 bar ±10%	DL Z 12 x A 5x P01
2.5 bar ±10%	DL Z 25 x A 5x P01
5.0 bar ±10%	DL Z 50 x A 5x P01
7.0 bar ±10%	DL Z 70 x A 5x P01
9.5 bar ±10%	DL Z 95 x A 5x P01

A/F 30
Max tightening torque: 110 N·m

Hydraulic symbol



Electrical symbol



Materials

- Body: AISI 316L
- Base: Transparent polyamide
- Contacts: Silver
- Seal: HNBR - MFQ

Technical data

- Max working pressure: 700 bar
- Proof pressure: 1050 bar
- Burst pressure: 2100 bar
- Working temperature: From -25 °C to +110 °C
- Compatibility with fluids: Mineral oils, Synthetic fluids
HFB and HFC according to ISO 2943
- Degree protection: IP66 according to EN 60529
IP69K according to ISO 20653

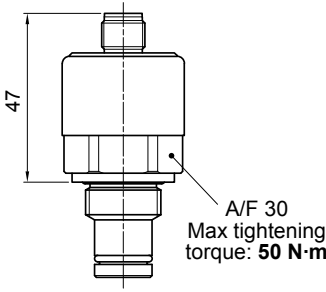
Electrical data

- Electrical connection: EN 175301-803
- Type: 51 52
- Lamps: 24 Vdc 110 Vdc
- Resistive load: 1 A / 24 Vdc 1 A / 110 Vdc

DIFFERENTIAL PRESSURE INDICATORS

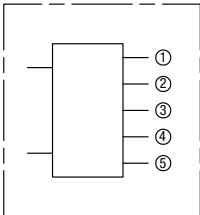
Dimensions

DTA*F70	
Electronic Differential Pressure Indicator Connection: IEC 61076-2-101 D (M12)	
Settings	Ordering code
1.2 bar ±10%	DT A 12 x F 70 P01
2.0 bar ±10%	DT A 20 x F 70 P01
5.0 bar ±10%	DT A 50 x F 70 P01
7.0 bar ±10%	DT A 70 x F 70 P01
9.5 bar ±10%	DT A 95 x F 70 P01



A/F 30
Max tightening torque: **50 N·m**

Hydraulic symbol



Materials

- Body: Brass
- Internal parts: Brass - Polyamide
- Contacts: Silver
- Seal: HNBR - FPM

Technical data

- Max working pressure: 420 bar
- Proof pressure: 630 bar
- Burst pressure: 1260 bar
- Compatibility with fluids: Mineral oils, Synthetic fluids
HFB and HFC according to ISO 2943
- Degree protection: IP67 according to EN 60529

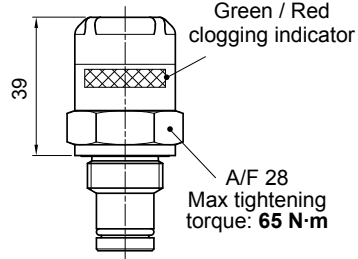
Electrical data

- Electrical connection: IEC 61076-2-101 D (M12)
- Power supply: 24 Vdc
- Analogue output: From 4 to 20 mA
- Thermal lockout: 30 °C (all output signals stalled up to 30 °C)

Electrical symbol

①	○	○	+24 Vdc
②	○	○	4 ÷ 20 mA
③	○	○	75% - N.O. Digital output
④	○	○	100% - N.O. Digital output
⑤	○	○	0 Vdc

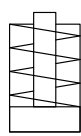
DVA	
Visual Differential Pressure Indicator	
Settings	Ordering code
1.2 bar ±10%	DV A 12 x P01
2.0 bar ±10%	DV A 20 x P01
5.0 bar ±10%	DV A 50 x P01
7.0 bar ±10%	DV A 70 x P01
9.5 bar ±10%	DV A 95 x P01



Green / Red
clogging indicator

A/F 28
Max tightening torque: **65 N·m**

Hydraulic symbol



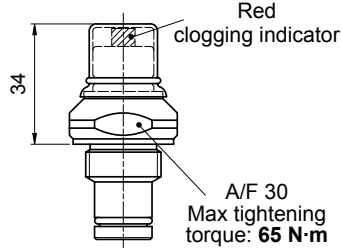
Materials

- Body: Brass
- Internal parts: Brass - Polyamide
- Seal: HNBR - FPM

Technical data

- Reset: Automatic reset
- Max working pressure: 420 bar
- Proof pressure: 630 bar
- Burst pressure: 1260 bar
- Working temperature: From -25 °C to +110 °C
- Compatibility with fluids: Mineral oils, Synthetic fluids
HFB and HFC according to ISO 2943
- Degree protection: IP65 according to EN 60529


DVM	
Visual Differential Pressure Indicator	
Settings	Ordering code
1.2 bar ±10%	DV M 12 x P01
2.0 bar ±10%	DV M 20 x P01
5.0 bar ±10%	DV M 50 x P01
7.0 bar ±10%	DV M 70 x P01
9.5 bar ±10%	DV M 95 x P01



Red
clogging indicator

A/F 30
Max tightening torque: **65 N·m**

Hydraulic symbol

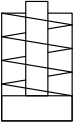
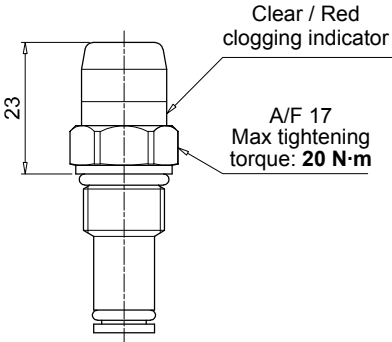


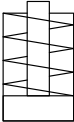
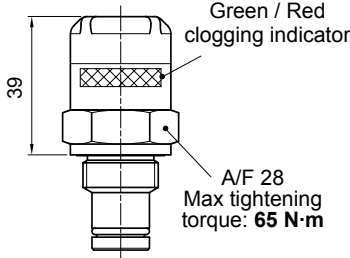
Materials

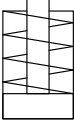
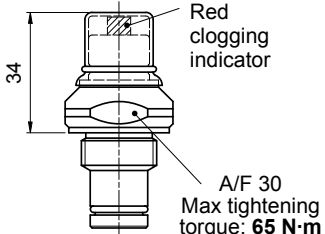
- Body: Brass
- Internal parts: Brass - Polyamide
- Seal: HNBR - FPM

Technical data

- Reset: Manual reset
- Max working pressure: 420 bar
- Proof pressure: 630 bar
- Burst pressure: 1260 bar
- Working temperature: From -25 °C to +110 °C
- Compatibility with fluids: Mineral oils, Synthetic fluids
HFB and HFC according to ISO 2943
- Degree protection: IP65 according to EN 60529

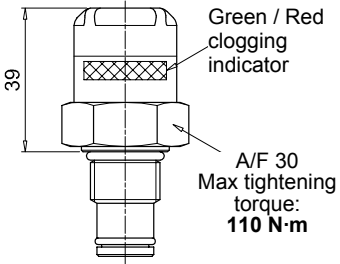
DVS		Hydraulic symbol	
Visual Differential Pressure Indicator			
Settings	Ordering code		
1.2 bar ±10%	DV S 12 H P01		
2.5 bar ±10%	DV S 25 H P01		
4.0 bar ±10%	DV S 40 H P01		
		Materials - Body: Brass - Internal parts: Brass - Polyamide - Seal: HNBR	
		Technical data - Reset: Automatic reset - Max working pressure: 16 bar - Proof pressure: 24 bar - Burst pressure: 48 bar - Working temperature: From -25 °C to +110 °C - Compatibility with fluids: Mineral oils, Synthetic fluids HFB and HFC according to ISO 2943 - Degree protection: IP67 according to EN 60529	

DVX		Hydraulic symbol	
Visual Differential Pressure Indicator			
Settings	Ordering code		
1.2 bar ±10%	DV X 12 x P01		
2.0 bar ±10%	DV X 20 x P01		
5.0 bar ±10%	DV X 50 x P01		
7.0 bar ±10%	DV X 70 x P01		
9.5 bar ±10%	DV X 95 x P01	Materials - Body: AISI 316L - Internal parts: AISI 316L - Polyamide - Seal: HNBR - MFQ	
		Technical data - Reset: Automatic reset - Max working pressure: 420 bar - Proof pressure: 630 bar - Burst pressure: 1260 bar - Working temperature: From -25 °C to +110 °C - Compatibility with fluids: Mineral oils, Synthetic fluids HFB and HFC according to ISO 2943 - Degree protection: IP65 according to EN 60529	

DVY		Hydraulic symbol	
Visual Differential Pressure Indicator			
Settings	Ordering code		
1.2 bar ±10%	DV Y 12 x P01		
2.0 bar ±10%	DV Y 20 x P01		
5.0 bar ±10%	DV Y 50 x P01		
7.0 bar ±10%	DV Y 70 x P01		
9.5 bar ±10%	DV Y 95 x P01	Materials - Body: AISI 316L - Internal parts: AISI 316L - Polyamide - Seal: HNBR - MFQ	
		Technical data - Reset: Manual reset - Max working pressure: 420 bar - Proof pressure: 630 bar - Burst pressure: 1260 bar - Working temperature: From -25 °C to +110 °C - Compatibility with fluids: Mineral oils, Synthetic fluids HFB and HFC according to ISO 2943 - Degree protection: IP65 according to EN 60529	

DIFFERENTIAL PRESSURE INDICATORS

Dimensions

DVZ		Hydraulic symbol	Materials
Visual Differential Pressure Indicator			
Settings	Ordering code		
1.2 bar ±10%	DV Z 12 x P01	Technical data - Reset: Automatic reset - Max working pressure: 700 bar - Proof pressure: 1050 bar - Burst pressure: 2100 bar - Working temperature: From -25 °C to +110 °C - Compatibility with fluids: Mineral oils, Synthetic fluids HFB and HFC according to ISO 2943 - Degree protection: IP65 according to EN 60529	
2.5 bar ±10%	DV Z 25 x P01		
5.0 bar ±10%	DV Z 50 x P01		
7.0 bar ±10%	DV Z 70 x P01		
9.5 bar ±10%	DV Z 95 x P01		
			

T2	
Plug	
Seal	Ordering code
HNBR	T2 H
FPM	T2 V

Materials

- Body: Phosphatized steel
- Seal: HNBR / FPM

10

A/F 30
Max tightening torque: 50 N·m

T4	
Plug	
Seal	Ordering code
NBR	T4 A

Materials

- Body: Anodized aluminium
- Seal: NBR

6

A/F 19
Max tightening torque: 20 N·m

X2	
Stainless Steel plug 420 bar	
Seal	Ordering code
HNBR	X2 H
FPM	X2 V
MFQ	X2 F

Materials

- Body: AISI 316L
- Seal: HNBR / FPM / MFQ

10

A/F 30
Max tightening torque: 50 N·m

X3	
Stainless Steel plug 700 bar (only for FZH)	
Seal	Ordering code
HNBR	X3 H
FPM	X3 V
MFQ	X3 F

Materials

- Body: AISI 316L
- Seal: HNBR / FPM / MFQ

14

A/F 30
Max tightening torque: 110 N·m

All data, details and words contained in this publication are provided for use by technically qualified personnel at their discretion, without warranty of any kind.

MP Filtri reserves the right to make modifications to the models and versions of the described products at any time for both technical and/or commercial reasons.

For updated information please visit our website: www.mpfiltri.com

The colors and the pictures of the products are purely indicative.

Any reproduction, partial or total, of this document is strictly forbidden.

All rights are strictly reserved



WORLDWIDE NETWORK

CANADA ♦ CHINA ♦ FRANCE ♦ GERMANY ♦ INDIA ♦ SINGAPORE
UNITED ARAB EMIRATES ♦ UNITED KINGDOM ♦ USA



PASSION  PERFORM

in @ y f



mpfiltri.com
Scan or click me!

MP Filtri reserves the right to make modifications to the models and versions of the described products at any time for both technical and/or commercial reasons. For updated information please visit our website: www.mpfiltri.com. The colors and the pictures of the products are purely indicative. Any reproduction, partial or total, of this document is strictly forbidden. All rights are strictly reserved.

MF001000017
EN - 2025.04