

LMP 950-951 series

Maximum working pressure up to 3 MPa (30 bar) - Flow rate up to 2400 l/min



LMP 950-951 GENERAL INFORMATION

Description

Technical data

Low & Medium Pressure filters

Maximum working pressure up to 3 MPa (30 bar)
Flow rate up to 2400 l/min

LMP950 is a range of low pressure filter with large filtration surface mainly suitable for lubrication, off-line filtration of the reservoirs and filtration equipment.

They are directly connected to the lines of the system through the hydraulic fittings.

Available features:

- Flanged connections up to 4", for a maximum flow rate of 2400 l/min
- In line or 90° connections, to meet any type of application
- Base-mounting design, for ease of the replacement of the filter element
- Fine filtration rating, to get a good cleanliness level into the system
- Water removal elements, to remove the free water from the hydraulic fluid. For further information, see the Contamination Management document and the dedicate leaflet.
- Bypass valve, to relieve excessive pressure drop across the filter media
- Vent ports, to avoid air trapped into the filter going into the system
- Drain ports, to remove the fluid from the housing prior the maintenance work
- Visual, electrical and electronic differential clogging indicators

Common applications:

- Off-line filtration of reservoirs
- Filtration systems
- Lubrication systems

Filter housing materials

- Head: Anodized Aluminium
- Housing: Anodized Aluminium
- Bypass valve: Anodized Aluminium

Pressure

- Test pressure: 4,5 MPa (45 bar)
- Burst pressure: 12 MPa (120 bar)
- Pulse pressure fatigue test: 1 000 000 cycles with pressure from 0 to 3 MPa (30 bar)

Bypass valve

- Opening pressure 350 kPa (3.5 bar) ±10%
- Other opening pressures on request.

Δp element type

- Microfibre filter elements - series N: 20 bar
- Fluid flow through the filter element from OUT to IN

Seals

- Standard NBR series A
- Optional FPM series V

Temperature

From -25 °C to +110 °C

Connections

LMP 950: In-line Inlet/Outlet
 LMP 951: 90° Inlet/Outlet

Note

LMP 950 - 951 filters are provided for vertical mounting

Weights [kg] and volumes [dm³]

Filter series	Weights [kg]			Volumes [dm ³]		
	Length	2	3	Length	2	3
LMP 950-951		25.1	33.5		15	28

Filter series	Length	Filter element design - N Series					
		A03	A06	A10	A16	A25	M25 M60 M90
LMP 950	2	613	756	953	1219	1515	2170
	3	1148	1219	1502	1713	1808	2293
LMP 951	2	635	789	1007	1308	1649	2420
	3	1226	1308	1634	1881	1993	2566

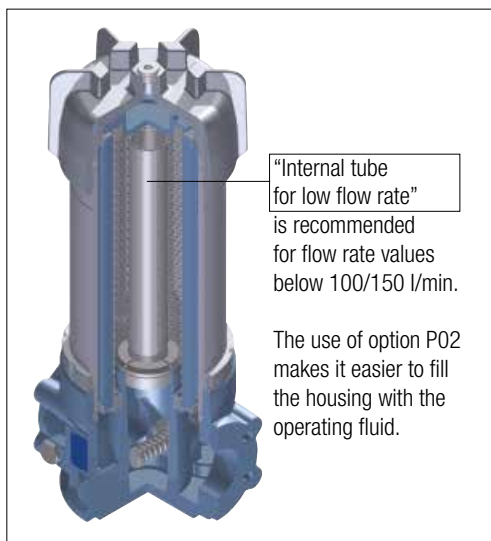
Maximum flow rate for a complete low and medium pressure filter with a pressure drop $\Delta p = 0.7$ bar.

The reference fluid has a kinematic viscosity of 30 mm²/s (cSt) and a density of 0.86 kg/dm³.

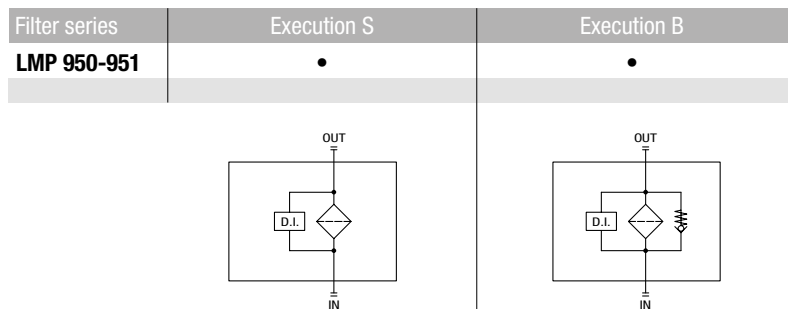
For different pressure drop or fluid viscosity we recommend to use our selection software available on www.mpfiltri.com.

You can also calculate the right size using the formulas present on the FILTER SIZING paragraph at the beginning of the full catalogue or at the beginning of the filter family brochure. Please, contact our Sales Department for further additional information.

Execution P02

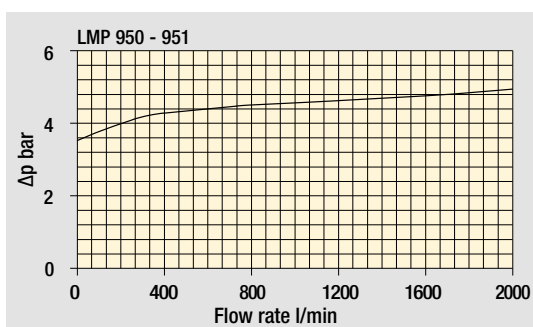
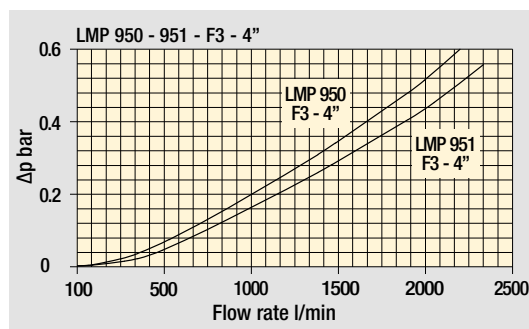
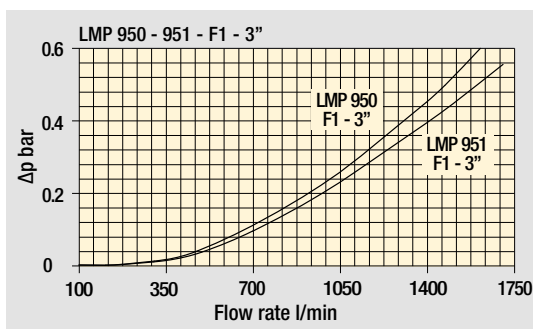


Hydraulic symbols



Pressure drop

Filter housings Δp pressure drop



Bypass valve pressure drop

The curves are plotted using mineral oil with density of 0.86 kg/dm³ in compliance with ISO 3968. Δp varies proportionally with density.

LMP 950-951

Designation & Ordering code

COMPLETE FILTER

Configuration example: **LMP951** **2** **B** **A** **F2** **A10** **N** **P01**

Series and size
LMP950 | **LMP951**

Length
2 | **3**

Bypass valve
S Without bypass | **B** With bypass 3.5 bar

Seals and treatments
A NBR
V FPM

Connections
F1 3" SAE 3000 psi/M
F2 3" SAE 3000 psi/UNC
F3 4" SAE 3000 psi/M
F4 4" SAE 3000 psi/UNC

Filtration rating (filter media)
A03 Inorganic microfiber 3 µm | **M25** Wire mesh 25 µm
A06 Inorganic microfiber 6 µm | **M60** Wire mesh 60 µm
A10 Inorganic microfiber 10 µm | **M90** Wire mesh 90 µm
A16 Inorganic microfiber 16 µm
A25 Inorganic microfiber 25 µm
WA025 Water absorber inorganic microfiber 25 µm

Element Δp
N 20 bar

Execution
P01 MP Filtri standard
P02 With internal tube for low flow rate
Pxx Customized

FILTER ELEMENT

Configuration example: **CU950** **2** **A10** **A** **N** **P01**

Element series and size
CU950

Element length
2 | **3**

Filtration rating (filter media)
A03 Inorganic microfiber 3 µm | **M25** Wire mesh 25 µm
A06 Inorganic microfiber 6 µm | **M60** Wire mesh 60 µm
A10 Inorganic microfiber 10 µm | **M90** Wire mesh 90 µm
A16 Inorganic microfiber 16 µm
A25 Inorganic microfiber 25 µm
WA025 Water absorber inorganic microfiber 25 µm

Seals
A NBR
V FPM

Element Δp
N 20 bar

Execution
P01 MP Filtri standard
Pxx Customized

CLOGGING INDICATORS

See page 686

DEA Electrical differential indicator
DEM Electrical differential indicator
DLA Electrical / visual differential indicator
DLE Electrical / visual differential indicator

DTA Electronic differential indicator
DVA Visual differential indicator
DVM Visual differential indicator

PLUGS

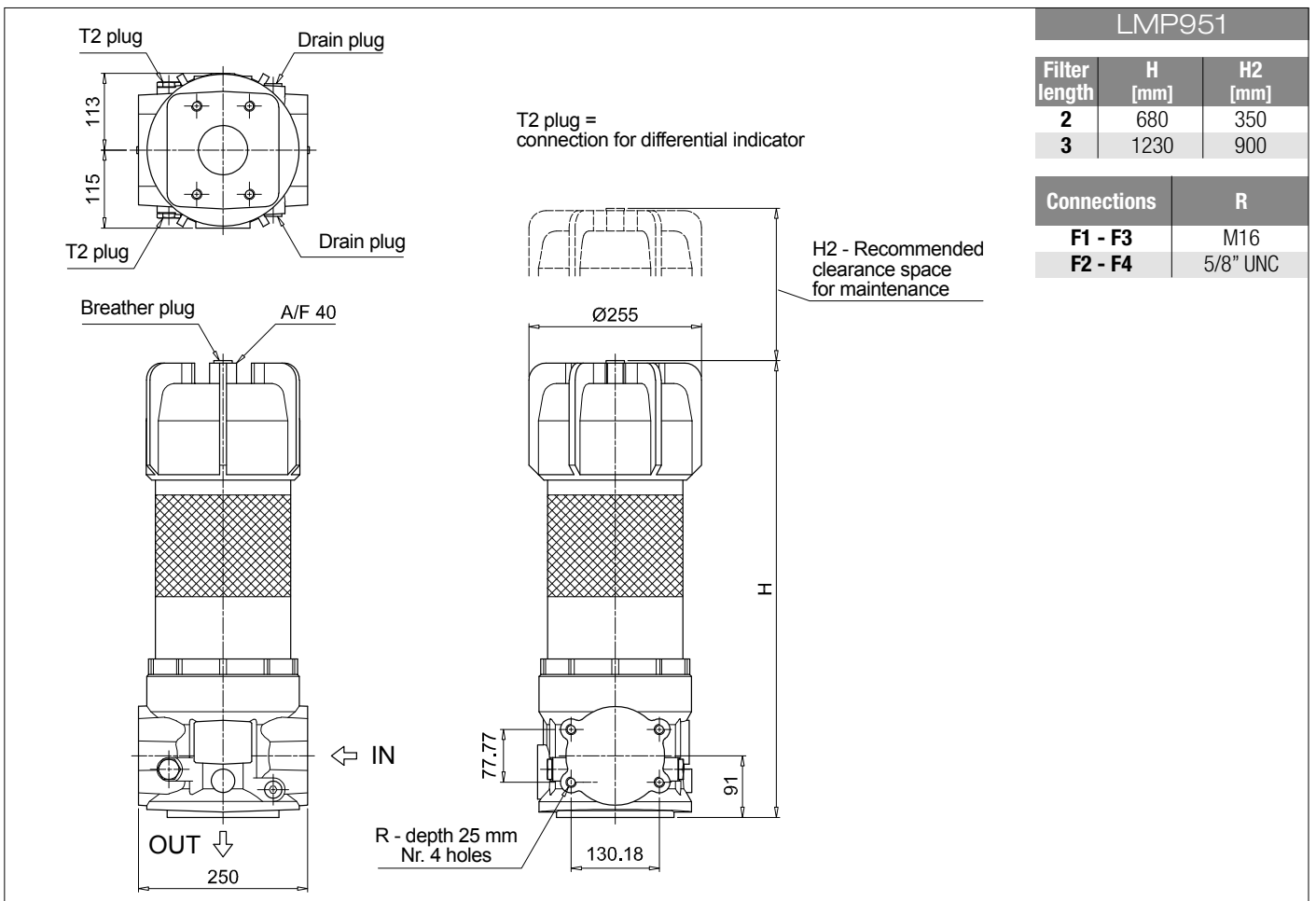
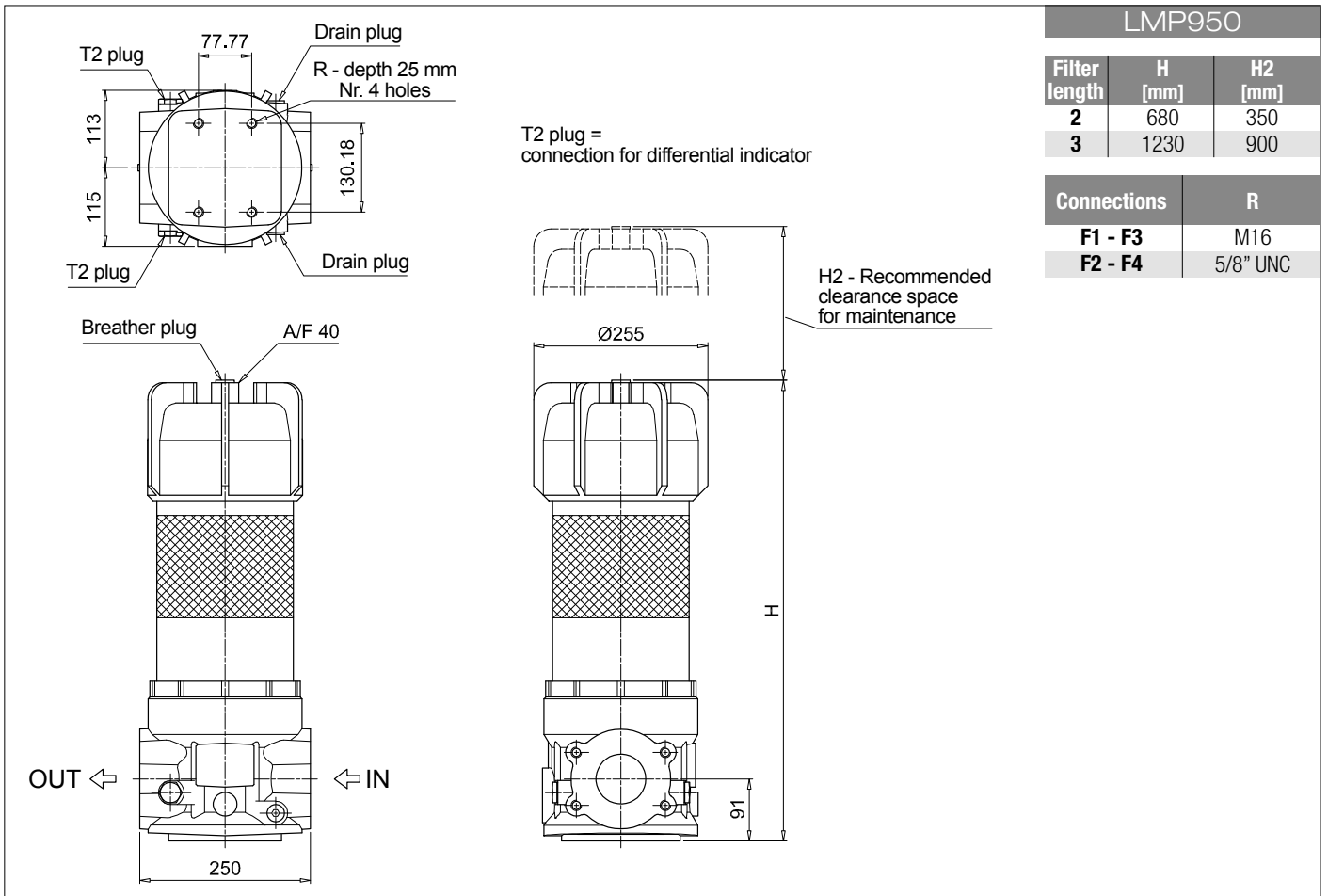
See page 706

T2 Differential indicator plug

ACCESSORIES

See page 438

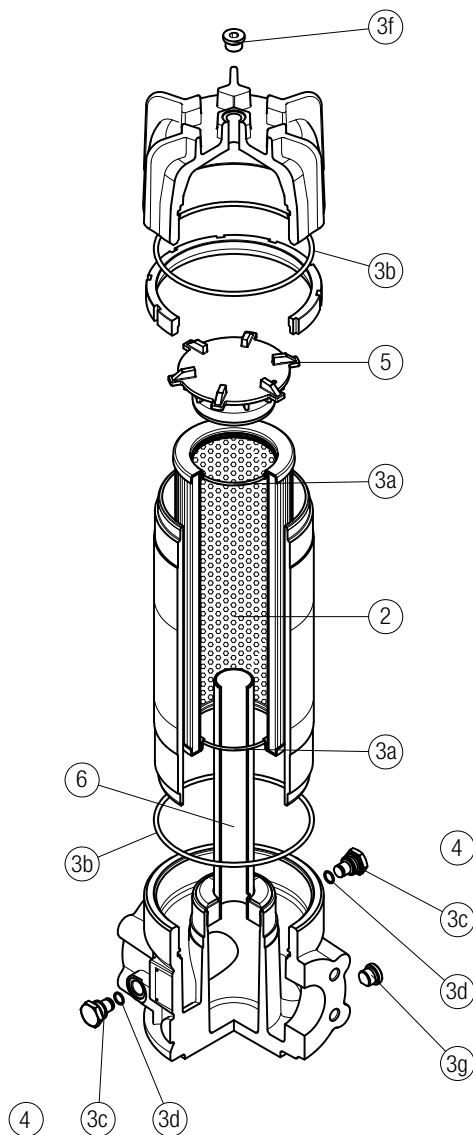
CFA Retaining clamp



LMP 950-951 SPARE PARTS

Order number for spare parts

LMP 950 - 951



Item:	Q.ty: 2 pcs.		Q.ty: 1 pc.		Q.ty: 2 pcs.		Q.ty: 1 pc.		Q.ty: 1 pc.	
Filter series	Filter element	Seal Kit code number		Indicator connection plug		Housing spigot		Internal tube for low flow rate, exec. PO2		
LMP 950-951 length 2-3	See order table	NBR	FPM	NBR	FPM	no bypass	with bypass	length 2	length 3	
		02050367	02050368	T2H	T2V	01044106	02001379	02025032	02025033	