



THE **X** CONCEPT FOR OUR FILTERS

Protect the performance of your system with MYclean.
Quality and efficiency are fundamental for MP Filtri:
this exclusive new filter element possesses polygon shape geometry and specific seal
that ensures only original spare parts can be used - ensuring correct operation and
higher system reliability.

MPFX series

with **MYCLEAN** MFX Filter Element



- **Protects the machine from improper use of non-original products.**
- **Safety of constant quality protection & reliability**

With exclusive filter element you are sure that only MP Filtri filter elements can be used, ensuring the best cleaning level of the oil due to the use of originals filter elements.

The products identified as MPFX are protected by:

- Italian Patent n° 102014902261205
- Canadian Patent n° 2,937,258
- European Patent n° 3 124 092 B1
- US Patent n° 20170030384 A1



TOGETHER WITH **MYCLEAN**, AS OPTION, MPFX SERIES CAN BE PROVIDED WITH

zerospark[®]
THE ANTI-STATIC FILTERS

THE **Z** CONCEPT FOR OUR FILTERS



Zerospark[®] is a specialist solution designed to solve the problem of electrostatic discharge inside hydraulic filters. Caused by the electrical charge build-up due to the passage of oil through the filters, this can result in damage to filter elements, oils and circuit components. It can even cause fire hazards in environments where flammable materials are present.

MPFX series

Maximum working pressure up to 800 kPa (8 bar) - Flow rate up to 900 l/min



Description

Technical data

Return filter

Maximum working pressure up to 800 kPa (8 bar)
Flow rate up to 900 l/min

MPFX is a range of return filters for protection of the reservoir against the system contamination.

They are directly fixed to the reservoir, in immersed or semi-immersed position.

The filter output must be always immersed into the fluid to avoid aeration or foam generation into the reservoir.

Available features:

- Female threaded connections up to 2" and flanged connections up to 2", for a maximum flow rate of 900 l/min
- Multiple connections, to connect several return lines or drains
- Fine filtration rating, to get a good cleanliness level into the reservoir
- Bypass valve integrated into the filter element, to relieve excessive pressure drop across the filter media
- 2, 3 or 4 fixing holes for installation, to suit a variety of reservoir surfaces
- O-ring or Flat Seal to suit a variety of reservoir surfaces
- Oil dipstick, to easily check the level of the fluid into the reservoir (sold as separate item)
- Extension tube, to be used in deep reservoirs (sold as separate item)
- Diffuser, to reduce the risk of aeration, foaming and noise (sold as separate item)
- Filler plug, to fill cleaned fluid into the tank without an additional connection
- Visual, electrical and electronic clogging indicators
- MYclean interface connection, to protect the product against non-original spare parts
- External protective wrap, to optimize the flow through the element and to save the element efficiency against non-proper handling

Common applications:

- Light Industrial equipment
- Mobile application

Filter housing materials

- Head: Aluminium
- Cover
Polyamide: MPFX 030-100-104-110
Aluminium: MPFX 181-182-184-191-192-194-400-410-450-451-750
- Bowl: Polyamide

Bypass valve

- Opening pressure 175 kPa (1.75 bar) ±10%
- Opening pressure 300 kPa (3 bar) ±10%

Δp element type

- Microfiber filter elements - series H: 10 bar
- Fluid flow through the filter element from OUT to IN

Seals

- Standard NBR series A
- Optional FPM series V

Temperature

From -25 °C to +110 °C

Note

MPFX filters are provided for vertical mounting

Weights [kg] and volumes [dm³]

Filter series	Weights [kg]				Volumes [dm ³]					
	Length	1	2	3	4	Length	1	2	3	4
MPFX 030		0.40	-	-	-		0.29	-	-	-
MPFX 100		0.61	0.64	0.67	0.74		0.64	0.85	1.20	1.65
MPFX 104		0.82	0.96	1.02	1.25		0.64	0.85	1.20	1.65
MPFX 110		0.64	0.68	0.71	0.78		-	-	-	-
MPFX 181		2.20	3.00	-	-		2.50	4.00	-	-
MPFX 182		2.30	3.10	-	-		2.50	4.00	-	-
MPFX 184		2.55	3.45	-	-		2.65	4.45	-	-
MPFX 191		-	3.00	-	-		-	4.25	-	-
MPFX 192		-	3.10	-	-		-	4.25	-	-
MPFX 194		-	3.45	-	-		-	4.45	-	-
MPFX 400		3.35	3.65	3.90	-		3.70	4.60	5.40	-
MPFX 410		3.55	3.85	4.10	-		3.70	4.60	5.40	-
MPFX 450-451		3.95	4.25	4.50	-		3.70	4.60	5.40	-
MPFX 750		6.30	-	-	-		8.45	-	-	-

Flow rates [l/min]

Filter series	Length	Filter element design - H series					Filter element design - N series		
		A03	A06	A10	A16	A25	M25 M60 M90	P10	P25
MPFX 030	1	7	10	24	29	47	84	60	66
MPFX 100-104-110	1	18	20	53	56	65	153	87	96
	2	28	38	65	75	95	158	111	123
	3	48	55	125	135	169	289	224	251
	4	79	89	180	185	198	306	264	289
MPFX 181-182-184	1	127	148	235	243	278	441	285	299
	2	231	262	358	382	388	472	404	412
MPFX 191-192-194	2	261	305	489	528	546	696	583	598
MPFX 400	1	150	171	294	304	350	585	370	390
	2	237	252	454	462	589	868	619	645
	3	248	288	553	609	621	885	680	703
MPFX 410	1	146	167	277	285	325	512	341	357
	2	226	239	396	402	485	644	503	519
	3	236	269	462	497	505	653	539	553
MPFX 450-451	1	150	171	294	304	350	585	370	390
	2	237	252	454	462	589	868	619	645
	3	248	288	553	609	621	885	680	703
MPFX 750	1	392	465	623	700	769	929	804	819

Maximum flow rate for a complete return filter with a pressure drop $\Delta p = 0.5$ bar.

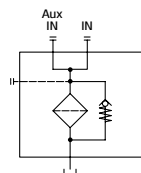
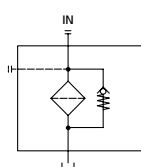
The reference fluid has a kinematic viscosity of 30 mm²/s (cSt) and a density of 0.86 kg/dm³.

For different pressure drop or fluid viscosity we recommend to use our selection software available on www.mpfiltri.com.

You can also calculate the right size using the formulas present on the FILTER SIZING paragraph at the beginning of the full catalogue or at the beginning of the filter family brochure. Please, contact our Sales Department for further additional information.

Hydraulic symbols

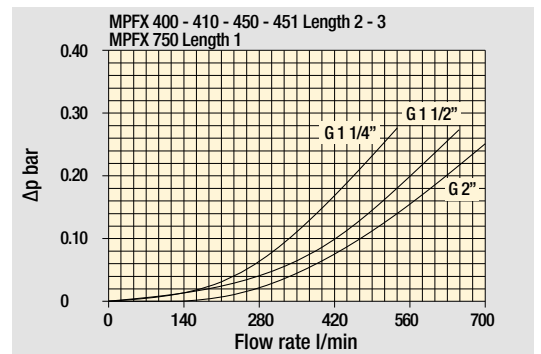
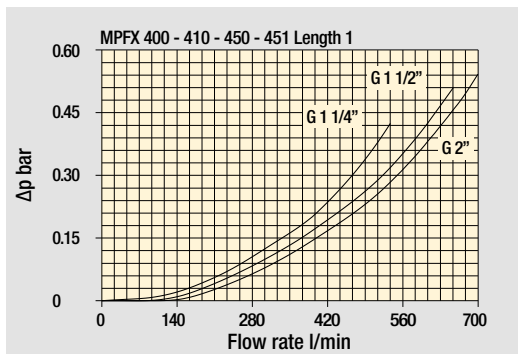
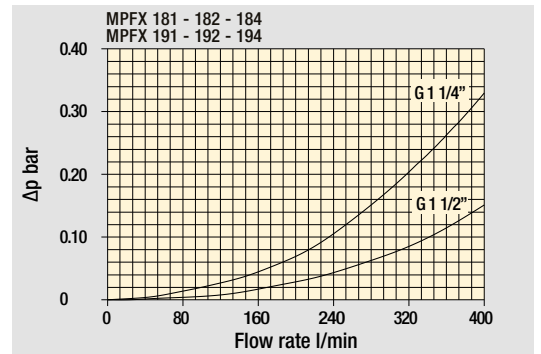
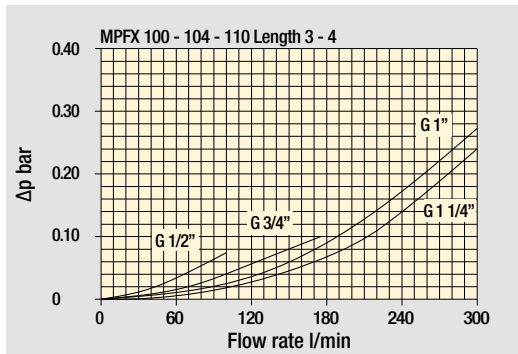
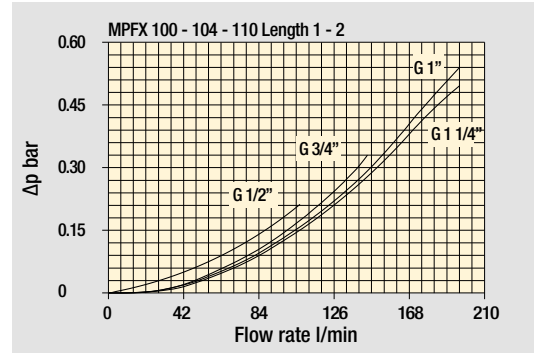
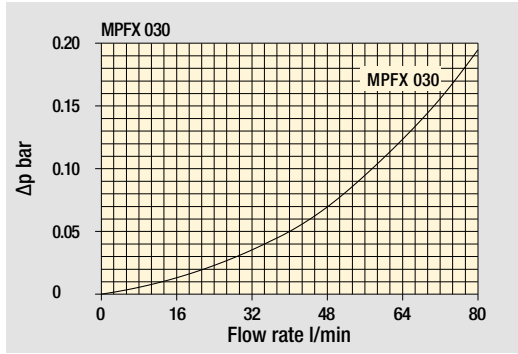
Filter series	Style 1 connection	Style 2 connections
MPFX 030	●	-
MPFX 100	●	-
MPFX 104	●	-
MPFX 110	-	●
MPFX 181	●	-
MPFX 182	-	●
MPFX 184	●	●
MPFX 191	●	-
MPFX 192	●	-
MPFX 194	●	●
MPFX 400	●	-
MPFX 410	-	●
MPFX 450	●	-
MPFX 451	-	●
MPFX 750	●	-



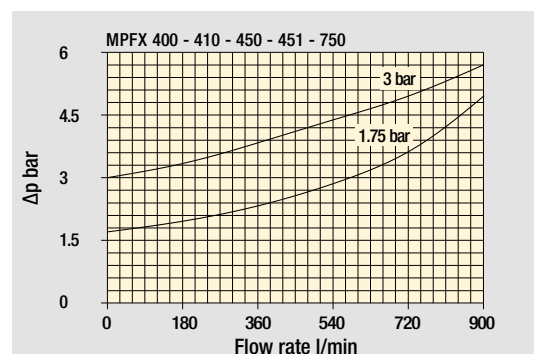
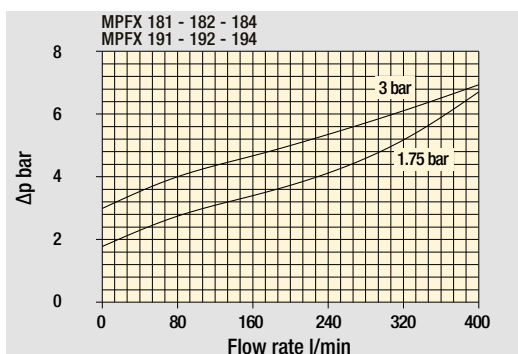
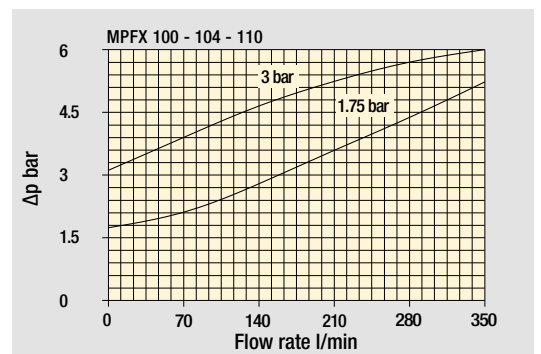
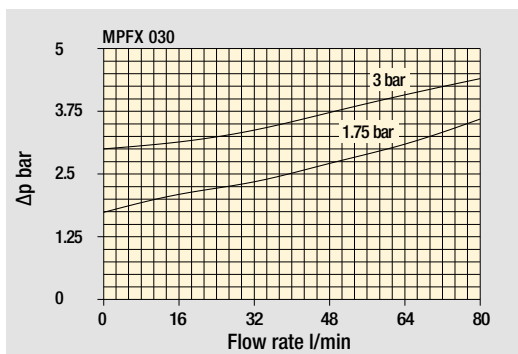
MPFX GENERAL INFORMATION

Pressure drop

Filter housings Δp pressure drop



Bypass valve pressure drop

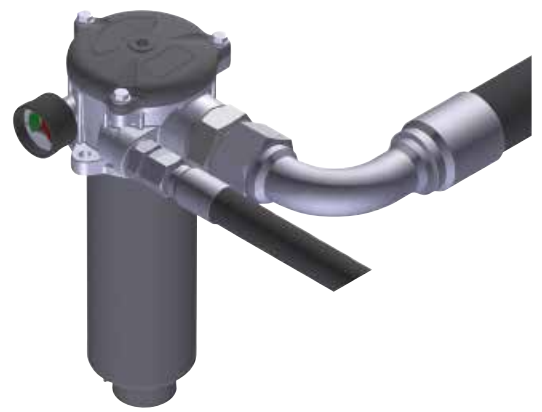


The curves are plotted using mineral oil with density of 0.86 kg/dm³ in compliance with ISO 3968. Δp varies proportionally with density.

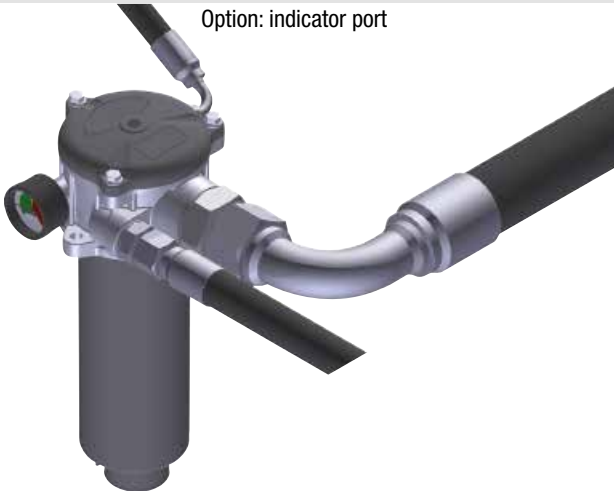
Standard - Single IN port



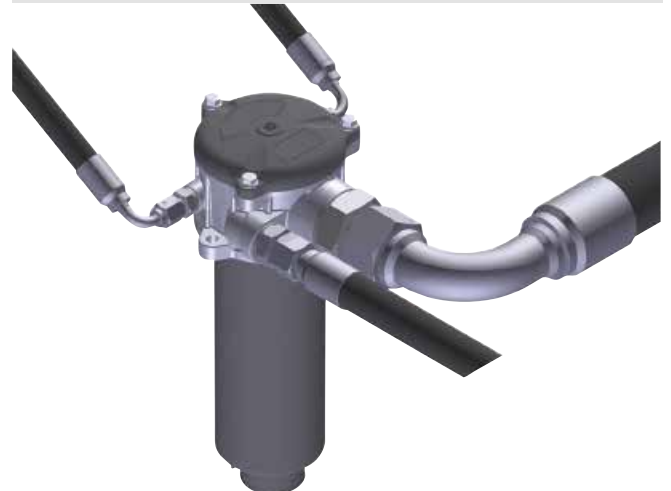
Double IN port
Option: double indicator port



Double IN port - Drain port
Option: indicator port



Double IN port - Double drain port



Designation & Ordering code

COMPLETE FILTER

Series and size
MPFX030 Filter featuring **MY CLEAN** Filter Element

Configuration example 1: **MPFX030** **1** **V** **G1** **M25** **N** **B** **P01**
 Configuration example 2: **MPFX030** **1** **A** **G4** **A10** **H** **E** **P01**

Length
1

Seals and treatments
A NBR
V FPM
W NBR head anodized
Z FPM head anodized

Connections
G1 G 1/2"
G4 1/2" NPT
G7 SAE 8 - 3/4" - 16 UNF

Filtration rating (filter media)
A03 Inorganic microfiber 3 µm **M25** Wire mesh 25 µm
A06 Inorganic microfiber 6 µm **M60** Wire mesh 60 µm
A10 Inorganic microfiber 10 µm **M90** Wire mesh 90 µm
A16 Inorganic microfiber 16 µm **P10** Resin impregnated paper 10 µm
A25 Inorganic microfiber 25 µm **P25** Resin impregnated paper 25 µm

Element Δp	Filter media		
	Axx	Mxx	Pxx
N 10 bar	-	•	•
H 10 bar	•	-	-

Bypass valve
E 3 bar
B 1.75 bar

Executions
 Base **zerospark***
P01 **Z01*** MP Filtri standard
Pxx **Zxx*** Customized

* Not for Mxx filter media

FILTER ELEMENT

Element series and size
MFXX030 Filter Element with **MY CLEAN** feature

Configuration example 1: **MFXX030** **1** **M25** **N** **V** **P01**
 Configuration example 2: **MFXX030** **1** **A10** **H** **B** **E** **P01**

Element length
1

Filtration rating (filter media)
A03 Inorganic microfiber 3 µm **M25** Wire mesh 25 µm
A06 Inorganic microfiber 6 µm **M60** Wire mesh 60 µm
A10 Inorganic microfiber 10 µm **M90** Wire mesh 90 µm
A16 Inorganic microfiber 16 µm **P10** Resin impregnated paper 10 µm
A25 Inorganic microfiber 25 µm **P25** Resin impregnated paper 25 µm

Element Δp	Filter media		
	Axx	Mxx	Pxx
N 10 bar	-	•	•
H 10 bar	•	-	-

Seals
B NBR
V FPM

Bypass valve
E 3 bar
- 1.75 bar

Executions
 Base **zerospark***
P01 **Z01*** MP Filtri standard
Pxx **Zxx*** Customized

* Not for Mxx filter media

CLOGGING INDICATORS

See page 720-721

- BVA** Axial pressure gauge
- BVR** Radial pressure gauge
- BVP** Visual pressure indicator with automatic reset
- BVQ** Visual pressure indicator with manual reset

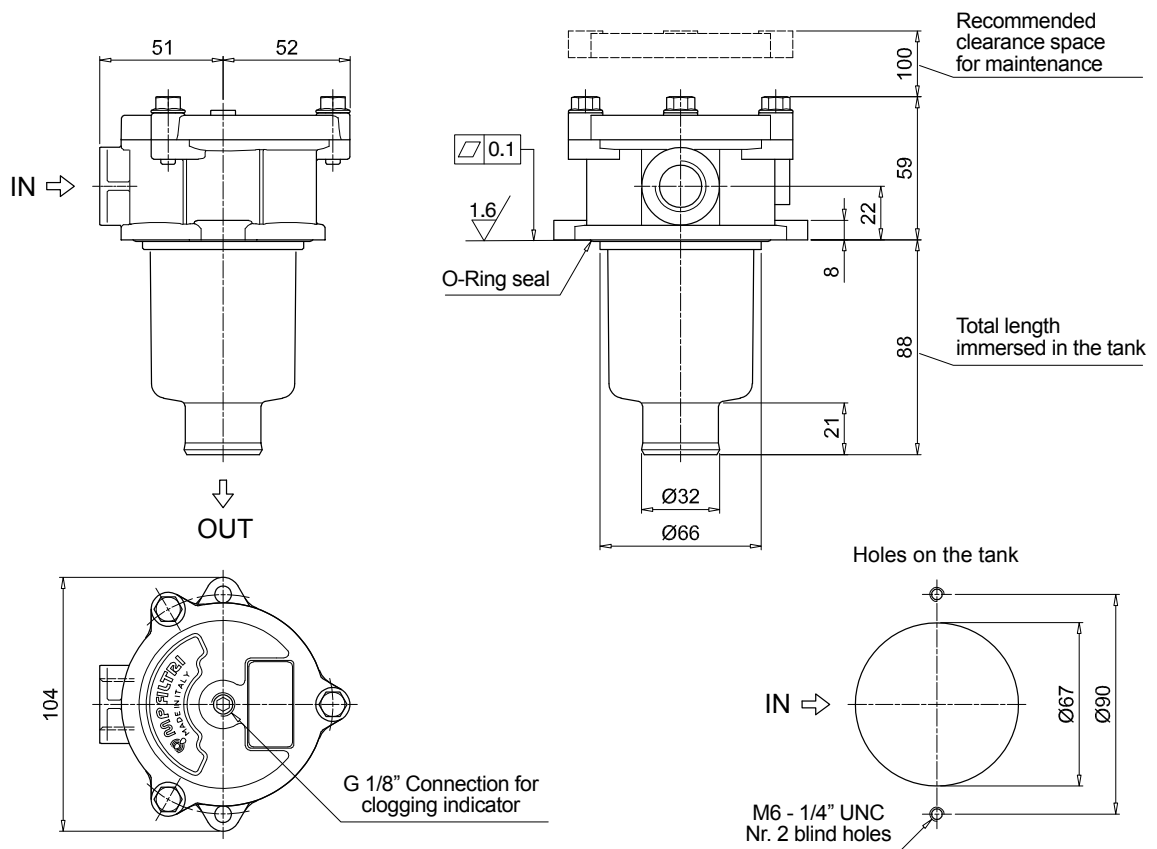
- BEA** Electrical pressure indicator
- BEM** Electrical pressure indicator
- BLA** Electrical / visual pressure indicator

ADDITIONAL FEATURES

See page 268

- TE** Extension tube
- T5** Filler plug M30x1.5


MPFX030



MPFX MPFX100 - MPFX104

Designation & Ordering code

COMPLETE FILTER

Series and size	Configuration example 1:	MPFX100	2	W	G3	A06	H	B	P01
MPFX100 MPFX104 Filter featuring  Filter Element	Configuration example 2:	MPFX104	4	A	G8	P10	N	E	P01

Length
1 | 2 | 3 | 4 |

Seals and treatments
A NBR
V FPM
W NBR head anodized
Z FPM head anodized

Connections	Size 100	Size 104	Connections	Size 100	Size 104
G1 G 1/2"	•	•	G7 SAE 8 - 3/4" - 16 UNF	•	•
G2 G 3/4"	•	•	G8 SAE 12 - 1 1/16" - 12 UN	•	•
G3 G 1"	•	•	G9 SAE 16 - 1 5/16" - 12 UN	•	•
G4 1/2" NPT	•	•			
G5 3/4" NPT	•	•			
G6 1" NPT	•	•			

Filtration rating (filter media)


A03 Inorganic microfiber 3 µm	M25 Wire mesh 25 µm
A06 Inorganic microfiber 6 µm	M60 Wire mesh 60 µm
A10 Inorganic microfiber 10 µm	M90 Wire mesh 90 µm
A16 Inorganic microfiber 16 µm	P10 Resin impregnated paper 10 µm
A25 Inorganic microfiber 25 µm	P25 Resin impregnated paper 25 µm

Element Δp	Filter media		
	Axx	Mxx	Pxx
N 10 bar	-	•	•
H 10 bar	•	-	-

Bypass valve	Executions	
	Base	zérospark*
E 3 bar	P01	Z01* MP Filtri standard
B 1.75 bar	Pxx	Zxx* Customized

* Not for Mxx filter media

FILTER ELEMENT

Element series and size	Configuration example 1:	MFX100	2	A06	H	B	P01	
MFX100 Filter Element with  feature	Configuration example 2:	MFX100	4	P10	N	B	E	P01

Element length
1 | 2 | 3 | 4 |

Filtration rating (filter media)

A03 Inorganic microfiber 3 µm	M25 Wire mesh 25 µm
A06 Inorganic microfiber 6 µm	M60 Wire mesh 60 µm
A10 Inorganic microfiber 10 µm	M90 Wire mesh 90 µm
A16 Inorganic microfiber 16 µm	P10 Resin impregnated paper 10 µm
A25 Inorganic microfiber 25 µm	P25 Resin impregnated paper 25 µm

Element Δp	Filter media		
	Axx	Mxx	Pxx
N 10 bar	-	•	•
H 10 bar	•	-	-

Seals	Bypass valve	Executions	
		Base	zérospark*
B NBR	E 3 bar	P01	Z01* MP Filtri standard
V FPM	- 1.75 bar	Pxx	Zxx* Customized

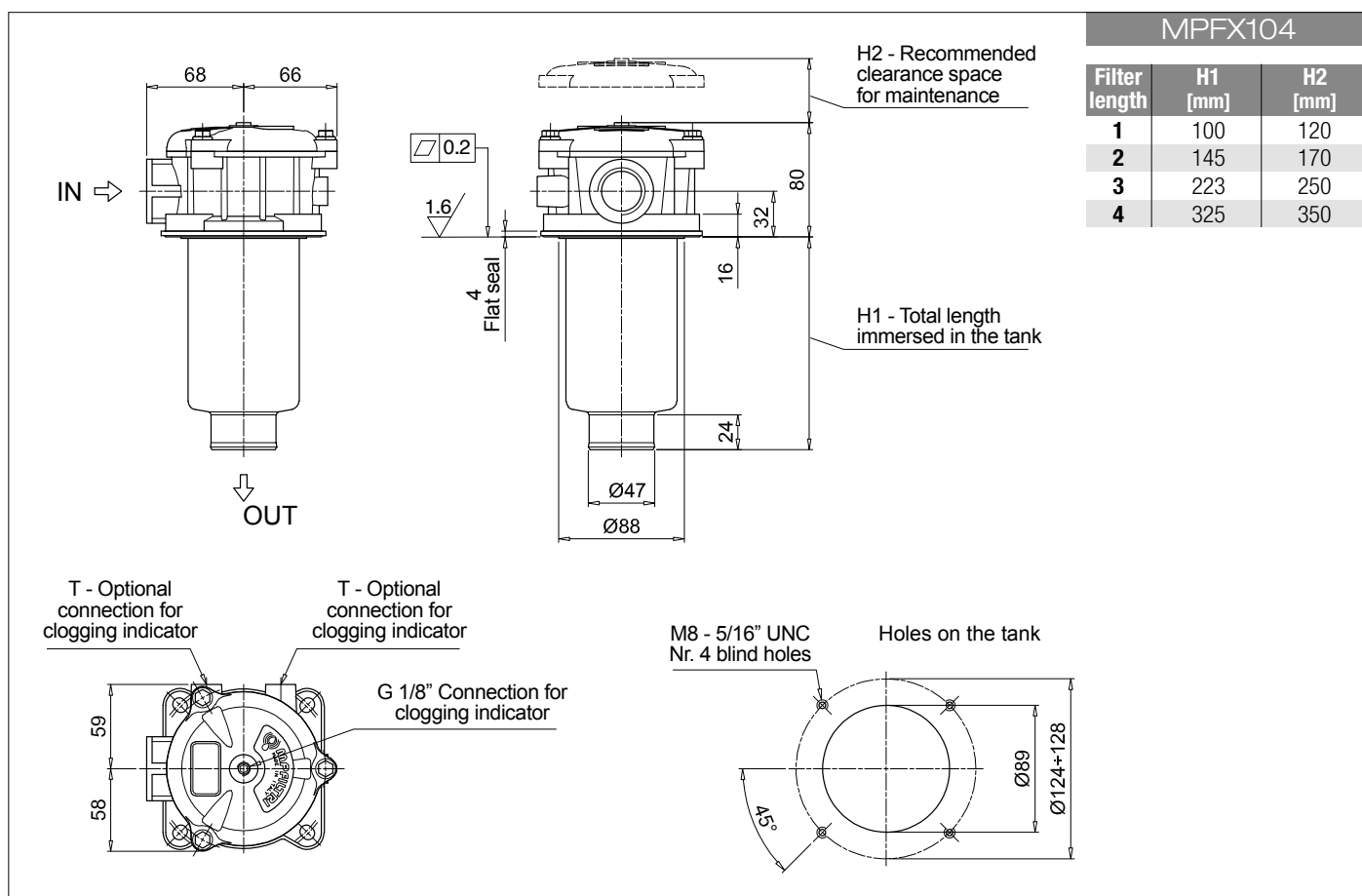
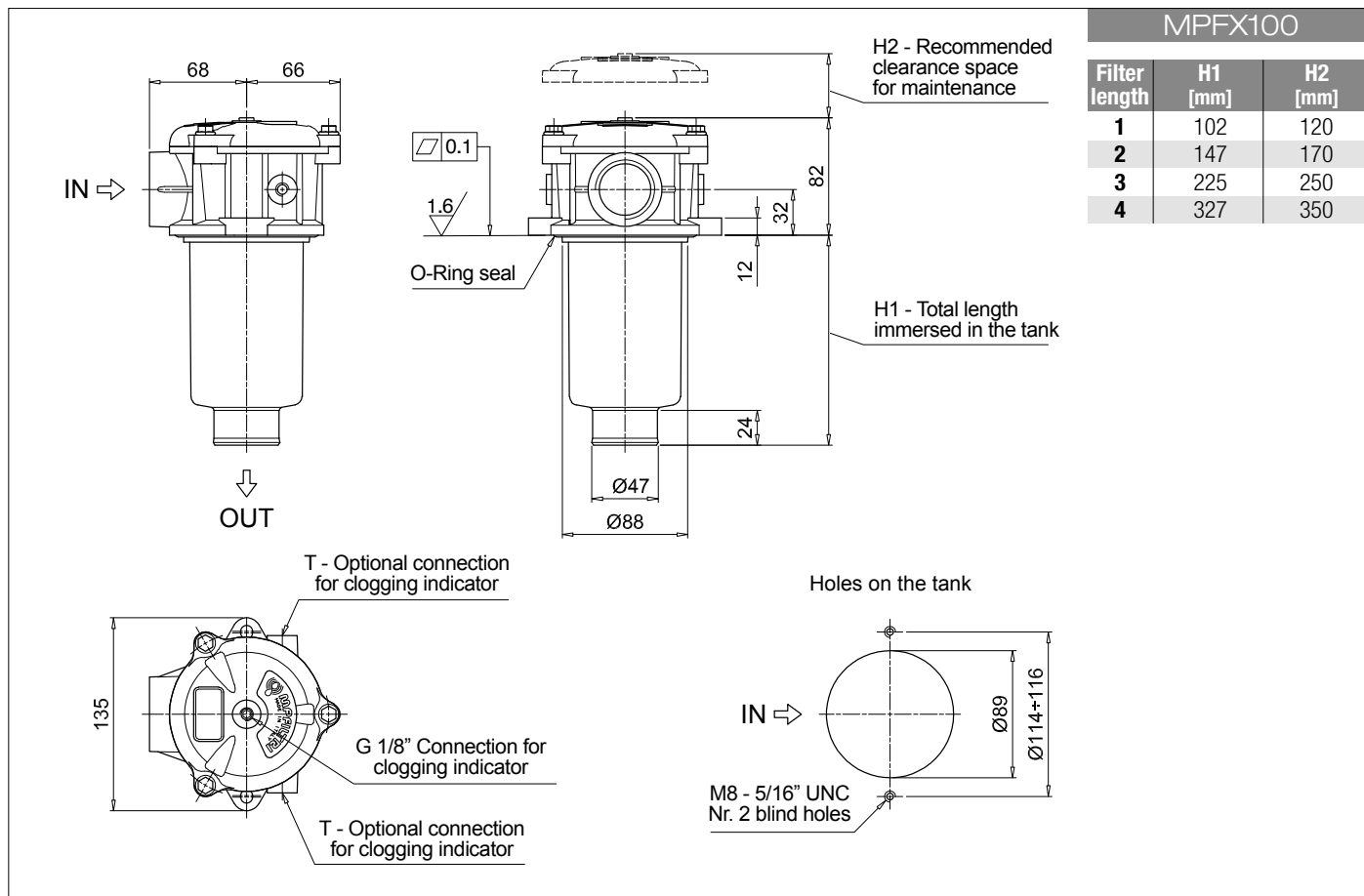
* Not for Mxx filter media

CLOGGING INDICATORS

BVA Axial pressure gauge	BEA Electrical pressure indicator	See page 720-721
BVR Radial pressure gauge	BEM Electrical pressure indicator	
BVP Visual pressure indicator with automatic reset	BLA Electrical / visual pressure indicator	
BVQ Visual pressure indicator with manual reset		

ADDITIONAL FEATURES

TE Extension tube	T5 Filler plug M30x1.5	See page 268
DFS Diffuser with fast lock connection	DPT Dipstick	



Designation & Ordering code

COMPLETE FILTER

Series and size			Configuration example 1: MPFX110 3 Z G4 2 M25 H B P01												
MPFX110 Filter featuring MY CLEAN Filter Element			Configuration example 2: MPFX110 4 A G8 1 P10 N E P01												
Length			1 2 3 4												
Seals and treatments			<table border="0"> <tr> <td>A NBR</td> <td>W NBR head anodized</td> </tr> <tr> <td>V FPM</td> <td>Z FPM head anodized</td> </tr> </table>									A NBR	W NBR head anodized	V FPM	Z FPM head anodized
A NBR	W NBR head anodized														
V FPM	Z FPM head anodized														
Main Connections	Aux size 1	Aux size 2	Main Connections	Aux size 1	Aux size 2										
G1 G 1/2"	G 3/8"	G 1/2"	G7 SAE 8 - 3/4" - 16 UNF	SAE 6 - 9/16" - 18 UNF	SAE 8 - 3/4" - 16 UNF										
G2 G 3/4"			G8 SAE 12 - 1 1/16" - 12 UN												
G3 G 1"	3/8" NPT	1/2" NPT	G9 SAE 16 - 1 5/16" - 12 UN	G 3/8"	G 1/2"										
G4 1/2" NPT			G10 G 1 1/4"												
G5 3/4" NPT			G11 1 1/4" NPT												
G6 1" NPT			G12 SAE 20 - 1 5/8" - 12 UN	SAE 6 - 9/16" - 18 UNF	SAE 8 - 3/4" - 16 UNF										
Aux connection - see previous table															
1 Aux size 1									2 Aux size 2						
Filtration rating (filter media)															
A03 Inorganic microfiber 3 µm									M25 Wire mesh 25 µm						
A06 Inorganic microfiber 6 µm									M60 Wire mesh 60 µm						
A10 Inorganic microfiber 10 µm									M90 Wire mesh 90 µm						
A16 Inorganic microfiber 16 µm									P10 Resin impregnated paper 10 µm						
A25 Inorganic microfiber 25 µm									P25 Resin impregnated paper 25 µm						

Element Δp	Filter media		
	Axx	Mxx	Pxx
N 10 bar	-	•	•
H 10 bar	•	-	-

Bypass valve	Executions		
	Base	zereospark*	
E 3 bar	P01	Z01*	MP Filtri standard
B 1.75 bar	Pxx	Zxx*	Customized

* Not for Mxx filter media

FILTER ELEMENT

Element series and size			Configuration example 1: MFx100 3 M25 H V P01								
MFx100 Filter Element with MY CLEAN feature			Configuration example 2: MFx100 4 P10 N B E P01								
Element length			1 2 3 4								
Filtration rating (filter media)											
A03 Inorganic microfiber 3 µm									M25 Wire mesh 25 µm		
A06 Inorganic microfiber 6 µm									M60 Wire mesh 60 µm		
A10 Inorganic microfiber 10 µm									M90 Wire mesh 90 µm		
A16 Inorganic microfiber 16 µm									P10 Resin impregnated paper 10 µm		
A25 Inorganic microfiber 25 µm									P25 Resin impregnated paper 25 µm		

Element Δp	Filter media		
	Axx	Mxx	Pxx
N 10 bar	-	•	•
H 10 bar	•	-	-

Seals	Bypass valve	Executions		
		Base	zereospark*	
B NBR	E 3 bar	P01	Z01*	MP Filtri standard
V FPM	- 1.75 bar	Pxx	Zxx*	Customized

* Not for Mxx filter media

CLOGGING INDICATORS

See page 720-721

BVA Axial pressure gauge
BVR Radial pressure gauge
BVP Visual pressure indicator with automatic reset
BVQ Visual pressure indicator with manual reset

BEA Electrical pressure indicator
BEM Electrical pressure indicator
BLA Electrical / visual pressure indicator

ADDITIONAL FEATURES

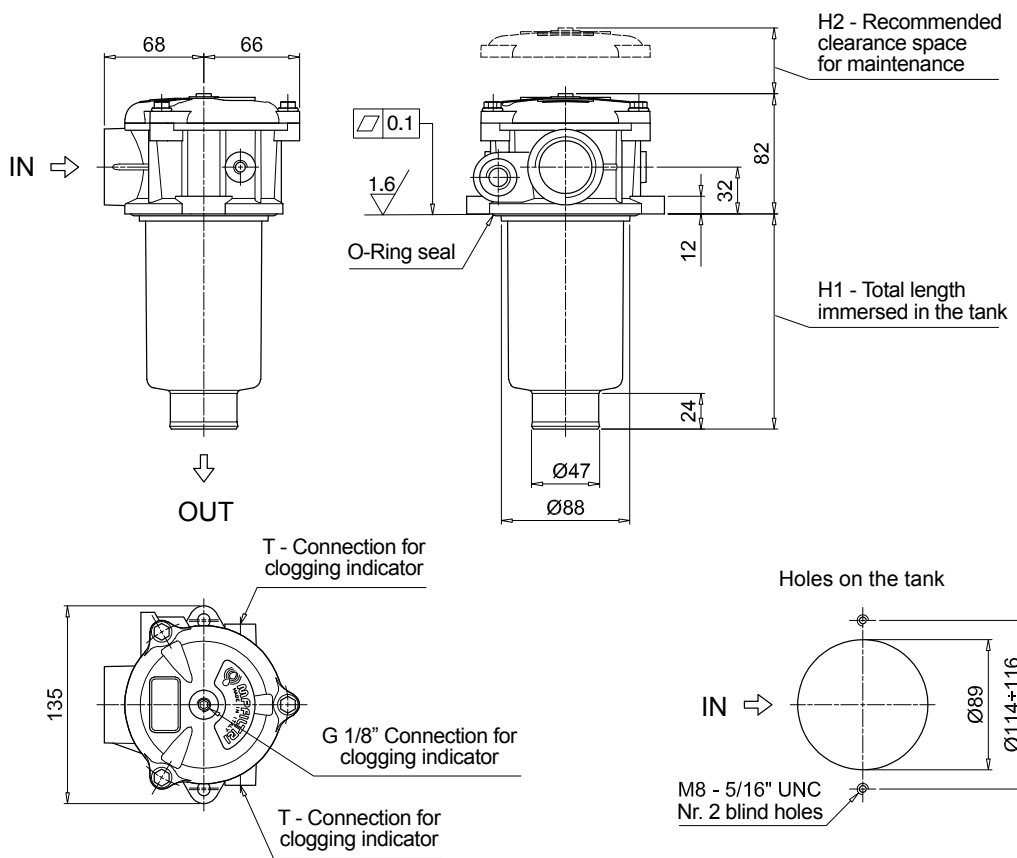
See page 268

TE Extension tube
DFS Diffuser with fast lock connection

T5 Filler plug M30x1.5
DPT Dipstick

MPFX110		
Filter length	H1 [mm]	H2 [mm]
1	102	120
2	147	170
3	225	250
4	327	350

Connections	T
G1-G2-G3	G 1/8"
G4-G5-G6-G7-G8-G9	1/8" NPT
G10	G 1/8"
G11-G12	1/8" NPT



MPFX MPFX181 - MPFX191

Designation & Ordering code

COMPLETE FILTER

Series and size		Configuration example 1: MPFX181		1	A	G1	A25	H	E	P01
MPFX181 MPFX191 Filter featuring MYCLEAN Filter Element		Configuration example 2: MPFX191		2	V	G2	P10	N	B	P01
Length		Size 181	Size 191							
1		•	-							
2		•	•							
Seals and treatments										
A NBR	B NBR flat seal on head									
V FPM	D FPM flat seal on head									
W NBR head anodized	L NBR head anodized, flat seal on head									
Z FPM head anodized	M FPM head anodized, flat seal on head									
Connections										
G1 G 1 1/4"	G5 1 1/2" NPT									
G2 G 1 1/2"	G7 SAE 20 - 1 5/8" - 12 UN									
G4 1 1/4" NPT	G8 SAE 24 - 1 7/8" - 12 UN									
Filtration rating (filter media)										
A03 Inorganic microfiber 3 µm	M25 Wire mesh 25 µm									
A06 Inorganic microfiber 6 µm	M60 Wire mesh 60 µm									
A10 Inorganic microfiber 10 µm	M90 Wire mesh 90 µm									
A16 Inorganic microfiber 16 µm	P10 Resin impregnated paper 10 µm									
A25 Inorganic microfiber 25 µm	P25 Resin impregnated paper 25 µm									
Element Δp		Filter media			Executions					
N 10 bar		Axx	Mxx	Pxx	Bypass valve	Base	zerospark*			
H 10 bar		-	•	•	E 3 bar	P01	Z01*	MP Filtri standard		
		•	-	-	B 1.75 bar	Pxx	Zxx*	Customized		

* Not for Mxx filter media

FILTER ELEMENT

Element series and size		Configuration example 1: MFX180		1	A25	H	B	E	P01	
MFX180 Filter Element with MYCLEAN feature		Configuration example 2: MFX180		2	P10	N	V		P01	
Element length										
1	2									
Filtration rating (filter media)										
A03 Inorganic microfiber 3 µm	M25 Wire mesh 25 µm									
A06 Inorganic microfiber 6 µm	M60 Wire mesh 60 µm									
A10 Inorganic microfiber 10 µm	M90 Wire mesh 90 µm									
A16 Inorganic microfiber 16 µm	P10 Resin impregnated paper 10 µm									
A25 Inorganic microfiber 25 µm	P25 Resin impregnated paper 25 µm									
Element Δp		Filter media			Executions					
N 10 bar		Axx	Mxx	Pxx	Seals	Bypass valve	Base	zerospark*		
H 10 bar		-	•	•	B NBR	E 3 bar	P01	Z01*	MP Filtri standard	
		•	-	-	V FPM	- 1.75 bar	Pxx	Zxx*	Customized	

* Not for Mxx filter media

CLOGGING INDICATORS

See page 720-721

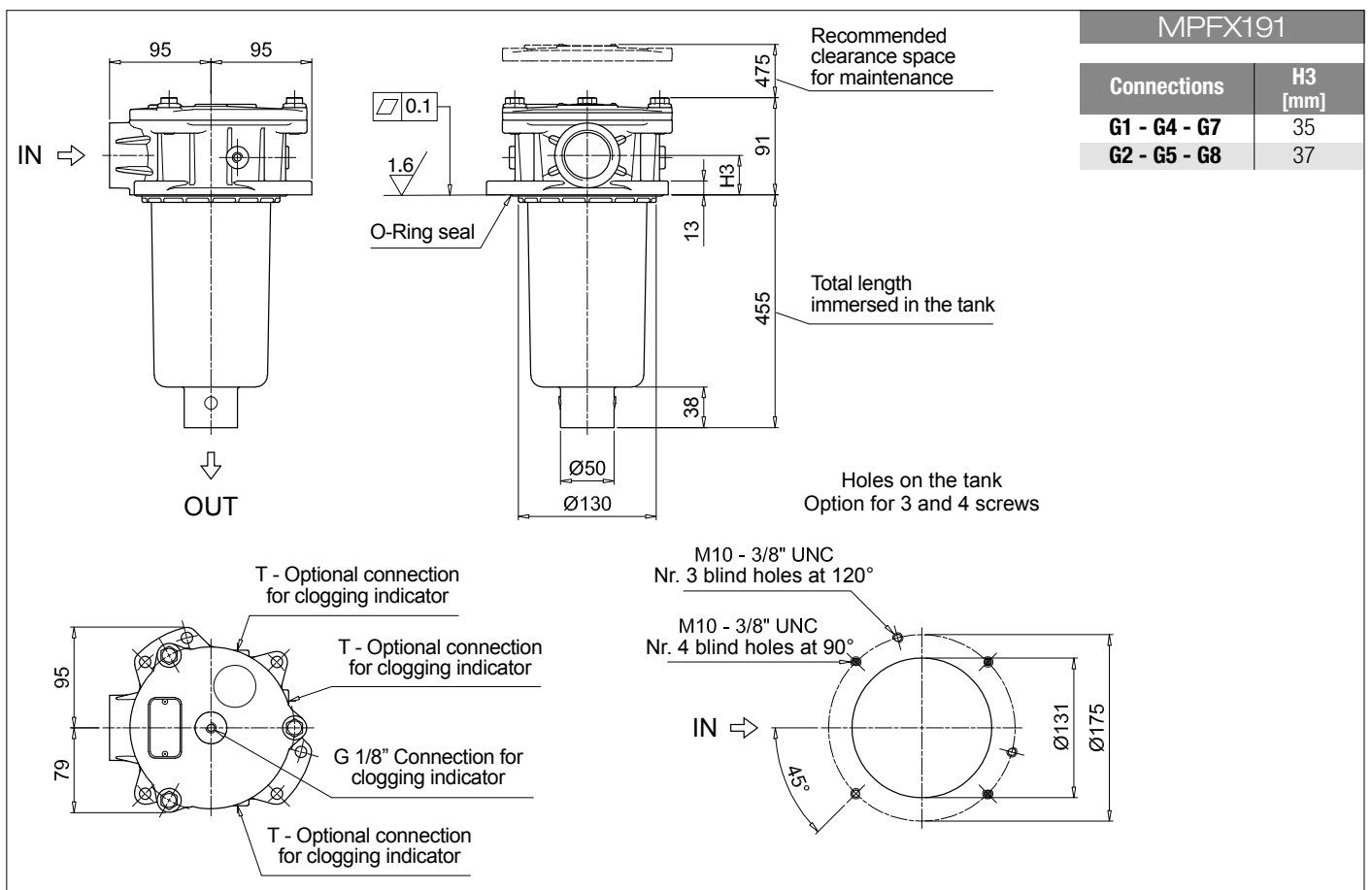
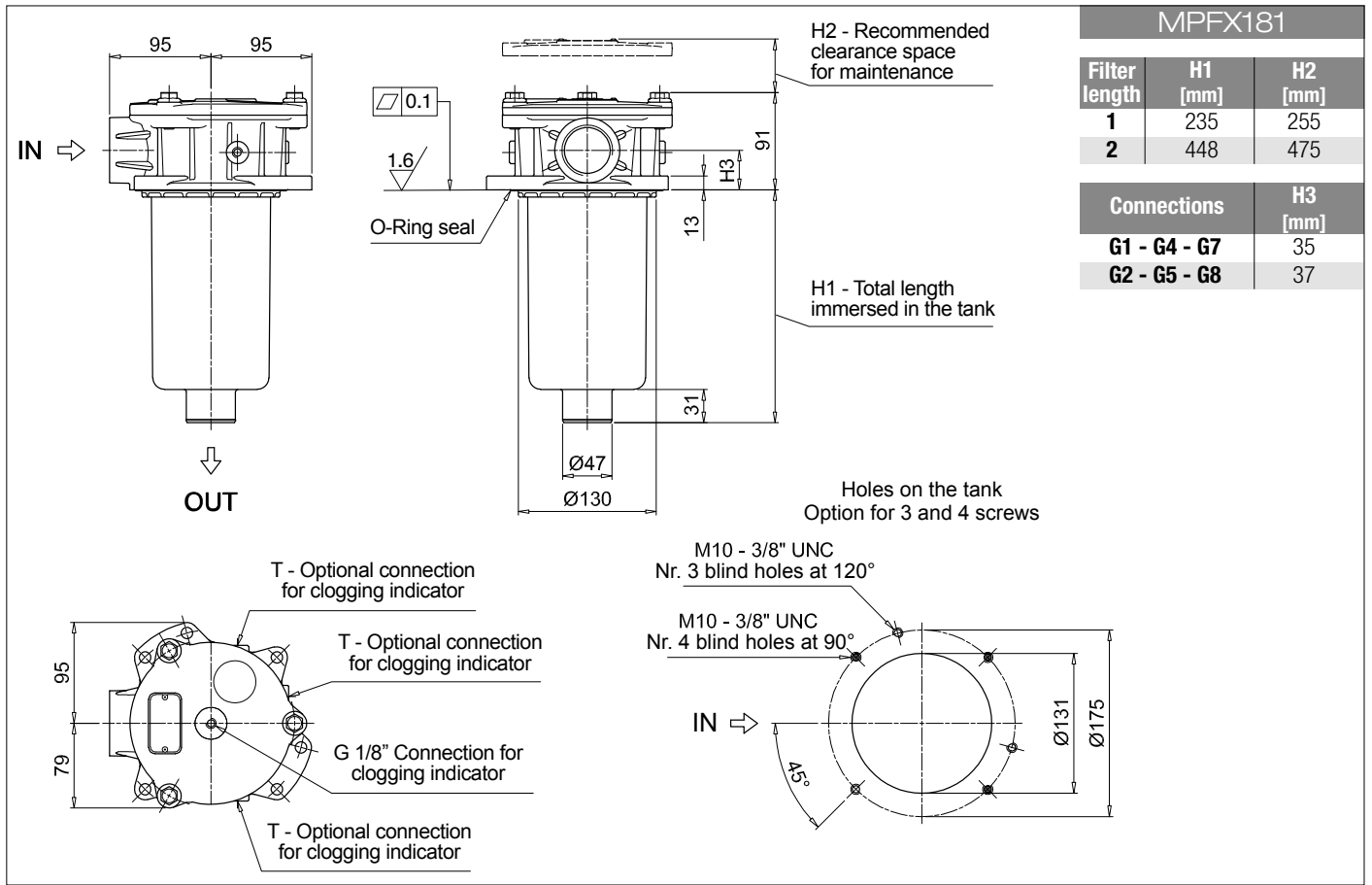
BVA Axial pressure gauge	
BVR Radial pressure gauge	
BVP Visual pressure indicator with automatic reset	
BVQ Visual pressure indicator with manual reset	

BEA Electrical pressure indicator	
BEM Electrical pressure indicator	
BLA Electrical / visual pressure indicator	

ADDITIONAL FEATURES

See page 268

TE Extension tube	
T5 Filler plug M30x1.5	



MPFX MPFX182 - MPFX192

Designation & Ordering code

COMPLETE FILTER

Series and size	Configuration example 1:	MPFX182	1	A	G1	1	A25	H	E	P01
MPFX182 MPFX192 Filter featuring MYCLEAN Filter Element	Configuration example 2:	MPFX192	2	V	G4	2	P10	N	B	P01

Length	Size 182	Size 192
1	•	-
2	•	•

Seals and treatments	
A NBR	B NBR flat seal on head
V FPM	D FPM flat seal on head
W NBR head anodized	L NBR head anodized, flat seal on head
Z FPM head anodized	M FPM head anodized, flat seal on head

Main Connections	Aux size 1	Aux size 2
G1 G 1 1/4"	G 1/2"	G 3/4"
G4 1 1/4" NPT	1/2" NPT	3/4" NPT
G7 SAE 20 - 1 5/8" - 12 UN	SAE 8 - 3/16" - 16 UNF	SAE 12 - 1 1/16" - 12 UN

Aux connection - see previous table	
1 Aux size 1	2 Aux size 2

Filtration rating (filter media)	
A03 Inorganic microfiber 3 µm	M25 Wire mesh 25 µm
A06 Inorganic microfiber 6 µm	M60 Wire mesh 60 µm
A10 Inorganic microfiber 10 µm	M90 Wire mesh 90 µm
A16 Inorganic microfiber 16 µm	P10 Resin impregnated paper 10 µm
A25 Inorganic microfiber 25 µm	P25 Resin impregnated paper 25 µm

Element Δp	Filter media		
	Axx	Mxx	Pxx
N 10 bar	-	•	•
H 10 bar	•	-	-

Bypass valve	Executions	
	Base	zerospark ⁺
E 3 bar	P01	Z01 * MP Filtri standard
B 1.75 bar	Pxx	Zxx * Customized

* Not for Mxx filter media

FILTER ELEMENT

Element series and size	Configuration example 1:	MFX180	1	A25	H	B	E	P01
MFX180 Filter Element with MYCLEAN feature	Configuration example 2:	MFX180	2	P10	N	V		P01

Element length	
1	2

Filtration rating (filter media)	
A03 Inorganic microfiber 3 µm	M25 Wire mesh 25 µm
A06 Inorganic microfiber 6 µm	M60 Wire mesh 60 µm
A10 Inorganic microfiber 10 µm	M90 Wire mesh 90 µm
A16 Inorganic microfiber 16 µm	P10 Resin impregnated paper 10 µm
A25 Inorganic microfiber 25 µm	P25 Resin impregnated paper 25 µm

Element Δp	Filter media		
	Axx	Mxx	Pxx
N 10 bar	-	•	•
H 10 bar	•	-	-

Seals	Bypass valve	Executions	
		Base	zerospark ⁺
B NBR	E 3 bar	P01	Z01 * MP Filtri standard
V FPM	- 1.75 bar	Pxx	Zxx * Customized

* Not for Mxx filter media

CLOGGING INDICATORS

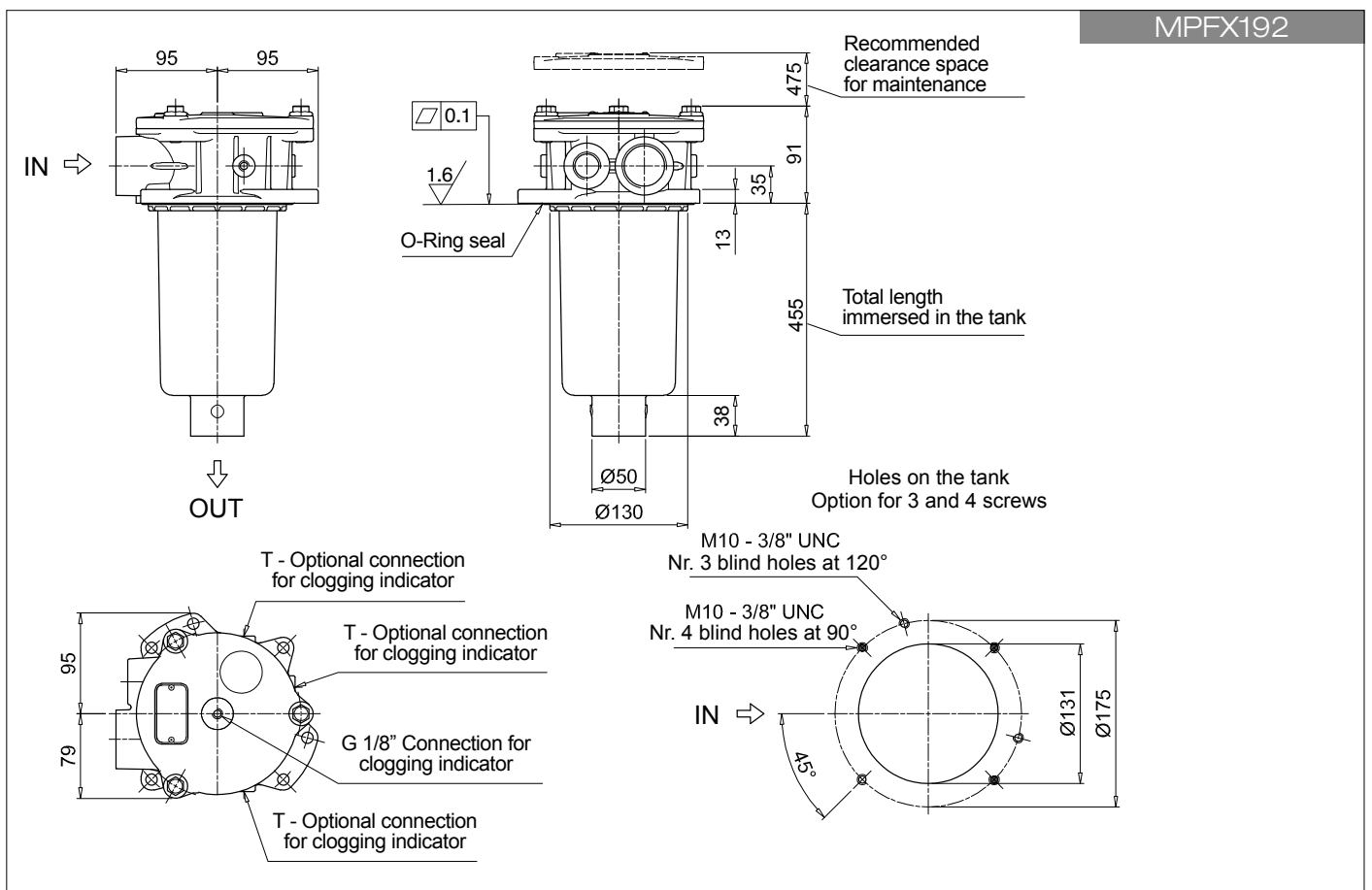
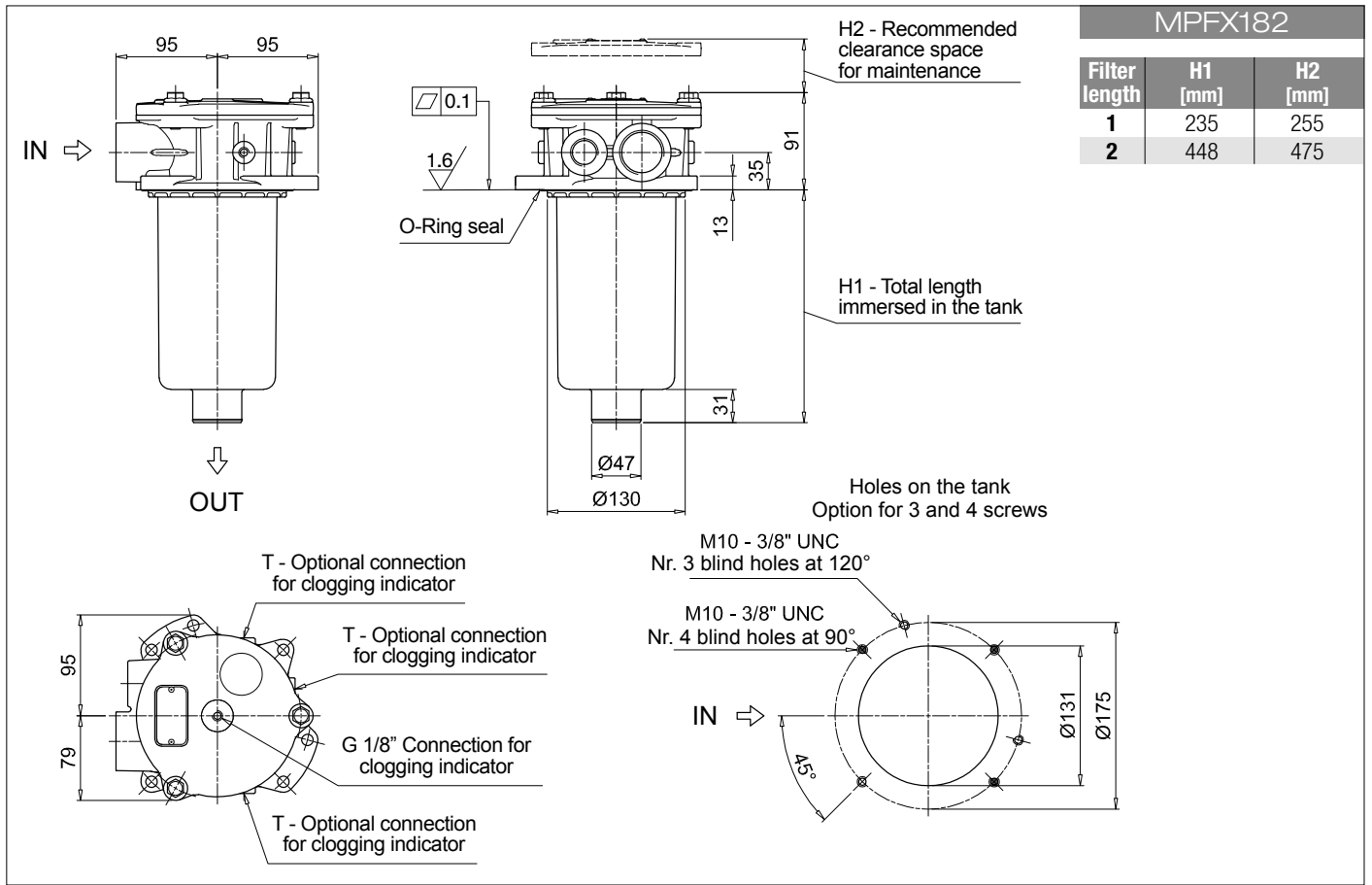
See page 720-721

BVA Axial pressure gauge	BEA Electrical pressure indicator
BVR Radial pressure gauge	BEM Electrical pressure indicator
BVP Visual pressure indicator with automatic reset	BLA Electrical / visual pressure indicator
BVQ Visual pressure indicator with manual reset	

ADDITIONAL FEATURES

See page 268

TE Extension tube
T5 Filler plug M30x1.5



MPFX MPFX184 - MPFX194

Designation & Ordering code

COMPLETE FILTER

Series and size		Configuration example 1: MPFX184 1 A G1 A25 H E P01										
MPFX184 MPFX194 Filter featuring MYCLEAN Filter Element		Configuration example 2: MPFX194 2 V F3 P10 N B P01										
Length	Size 184	Size 194										
1	•	-										
2	•	•										
Seals and treatments												
A NBR	W NBR	head anodized										
V FPM	Z FPM	head anodized										
Main Connections		Rear connections		Main Connections		Rear connections						
G1 G 1 1/4"	-		G13 G 1 1/2"	-								
G2 G 1 1/4"	G 1 1/4"		G14 G 1 1/2"	G 1 1/4"								
G4 1 1/4" NPT	-		G15 1 1/2" NPT	-								
G5 1 1/4" NPT	1 1/4" NPT		G16 1 1/2" NPT	1 1/4" NPT								
G7 SAE 20 - 1 5/8" - 12 UN	-		F1 1 1/2" SAE 3000 psi/M	-								
G8 SAE 20 - 1 5/8" - 12 UN	SAE 20 - 1 5/8" - 12 UN		F2 1 1/2" SAE 3000 psi/UNC	-								
G10 SAE 24 - 1 7/8" - 12 UN	-		F3 1 1/2" SAE 3000 psi/M	1 1/2" SAE 3000 psi/M								
G11 SAE 24 - 1 7/8" - 12 UN	SAE 20 - 1 5/8" - 12 UN		F4 1 1/2" SAE 3000 psi/UNC	1 1/2" SAE 3000 psi/UNC								
Filtration rating (filter media)												
A03 Inorganic microfiber 3 µm			M25 Wire mesh 25 µm									
A06 Inorganic microfiber 6 µm			M60 Wire mesh 60 µm									
A10 Inorganic microfiber 10 µm			M90 Wire mesh 90 µm									
A16 Inorganic microfiber 16 µm			P10 Resin impregnated paper 10 µm									
A25 Inorganic microfiber 25 µm			P25 Resin impregnated paper 25 µm									

Element Δp	Filter media		
	Axx	Mxx	Pxx
N 10 bar	-	•	•
H 10 bar	•	-	-

Bypass valve	Executions	
	Base	zerospark*
E 3 bar	P01	Z01* MP Filtri standard
B 1.75 bar	Pxx	Zxx* Customized

* Not for Mxx filter media

FILTER ELEMENT

Element series and size		Configuration example 1: MFX180 1 A25 H B E P01									
MFX180 Filter Element with MYCLEAN feature		Configuration example 2: MFX180 2 P10 N V P01									
Element length											
1	2										
Filtration rating (filter media)											
A03 Inorganic microfiber 3 µm			M25 Wire mesh 25 µm								
A06 Inorganic microfiber 6 µm			M60 Wire mesh 60 µm								
A10 Inorganic microfiber 10 µm			M90 Wire mesh 90 µm								
A16 Inorganic microfiber 16 µm			P10 Resin impregnated paper 10 µm								
A25 Inorganic microfiber 25 µm			P25 Resin impregnated paper 25 µm								

Element Δp	Filter media		
	Axx	Mxx	Pxx
N 10 bar	-	•	•
H 10 bar	•	-	-

Seals	Bypass valve	Executions	
		Base	zerospark*
B NBR	E 3 bar	P01	Z01* MP Filtri standard
V FPM	- 1.75 bar	Pxx	Zxx* Customized

* Not for Mxx filter media

CLOGGING INDICATORS

See page 720-721

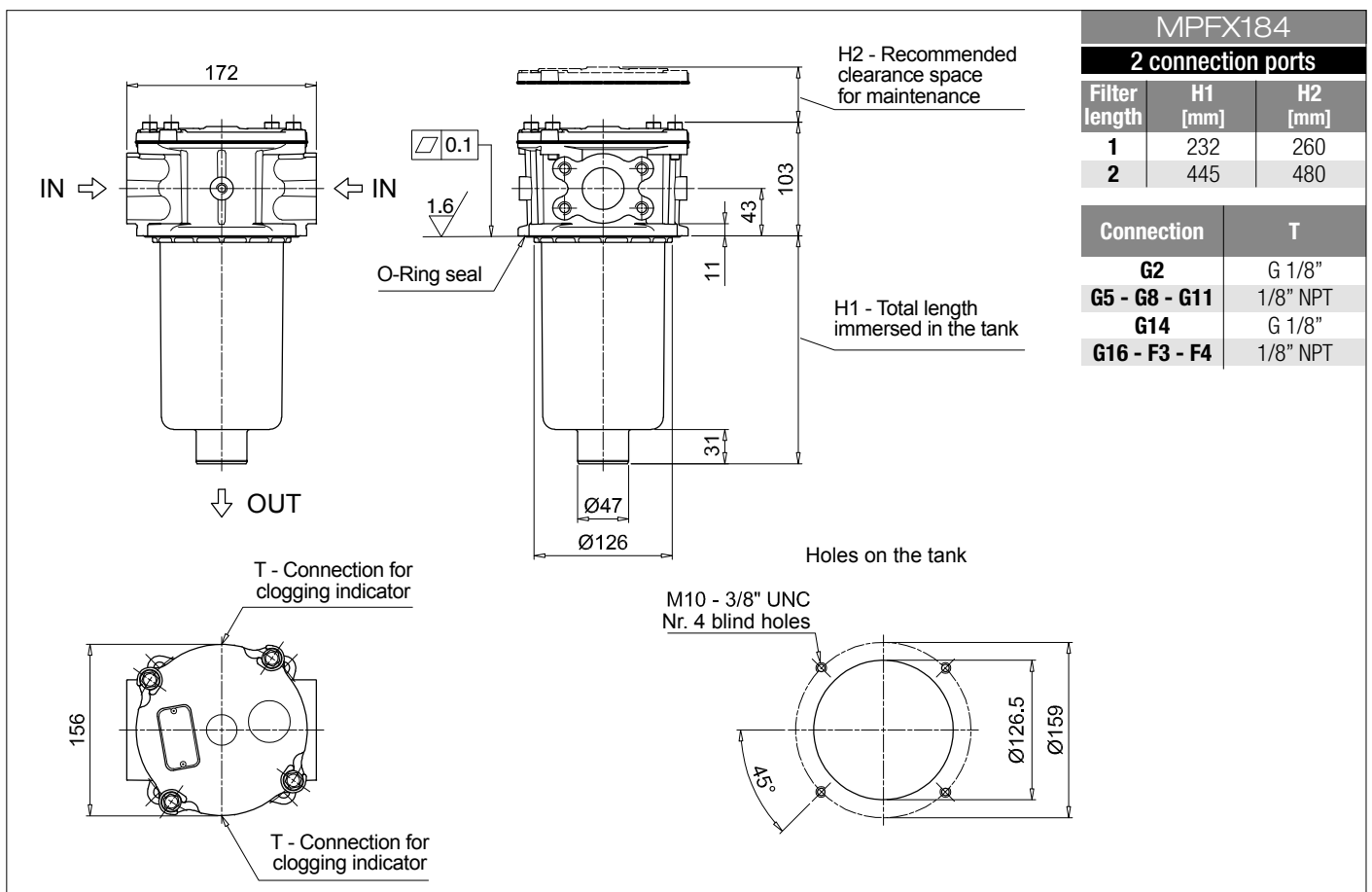
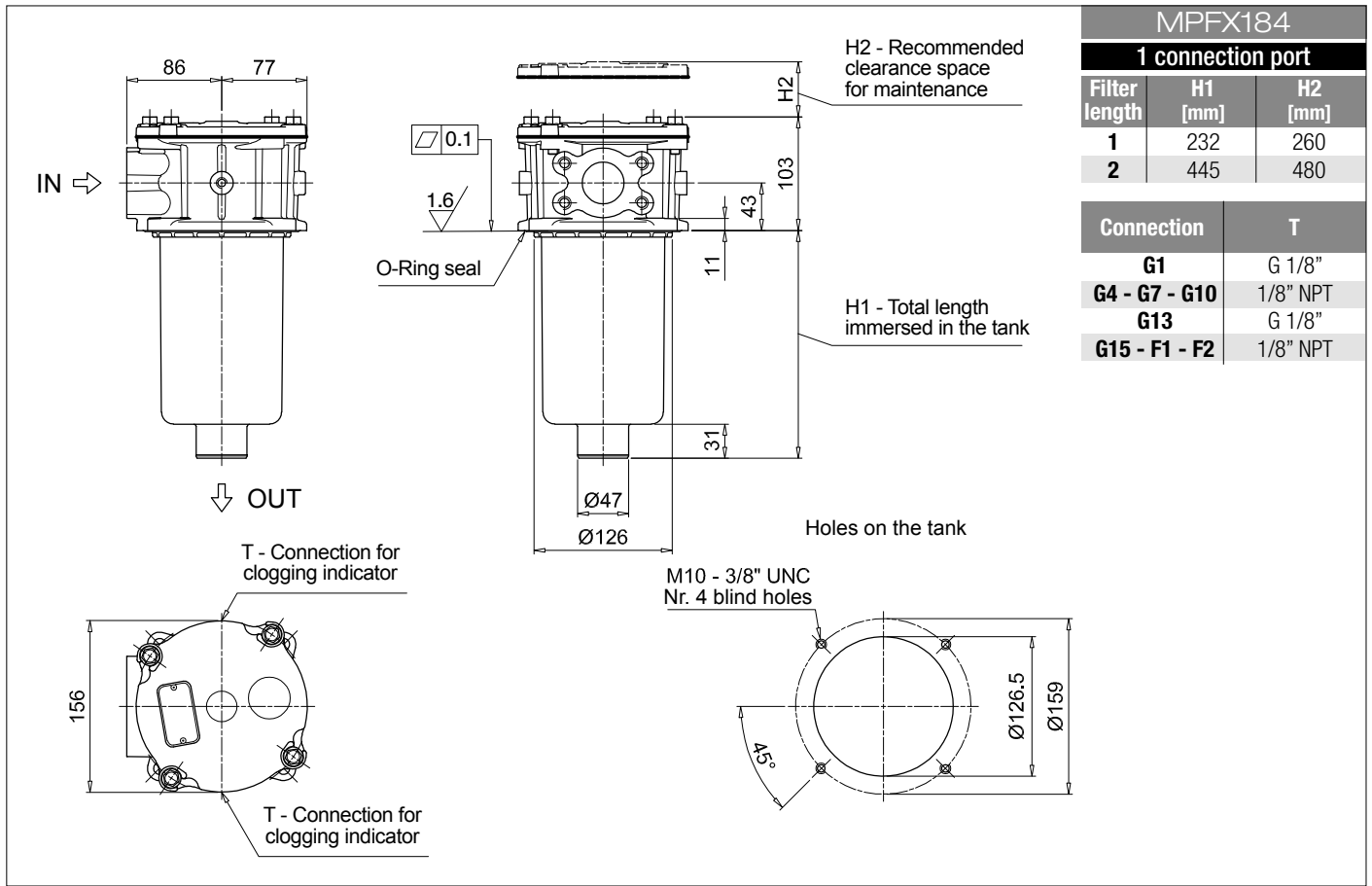
BVA Axial pressure gauge	
BVR Radial pressure gauge	
BVP Visual pressure indicator with automatic reset	
BVQ Visual pressure indicator with manual reset	

BEA Electrical pressure indicator	
BEM Electrical pressure indicator	
BLA Electrical / visual pressure indicator	

ADDITIONAL FEATURES

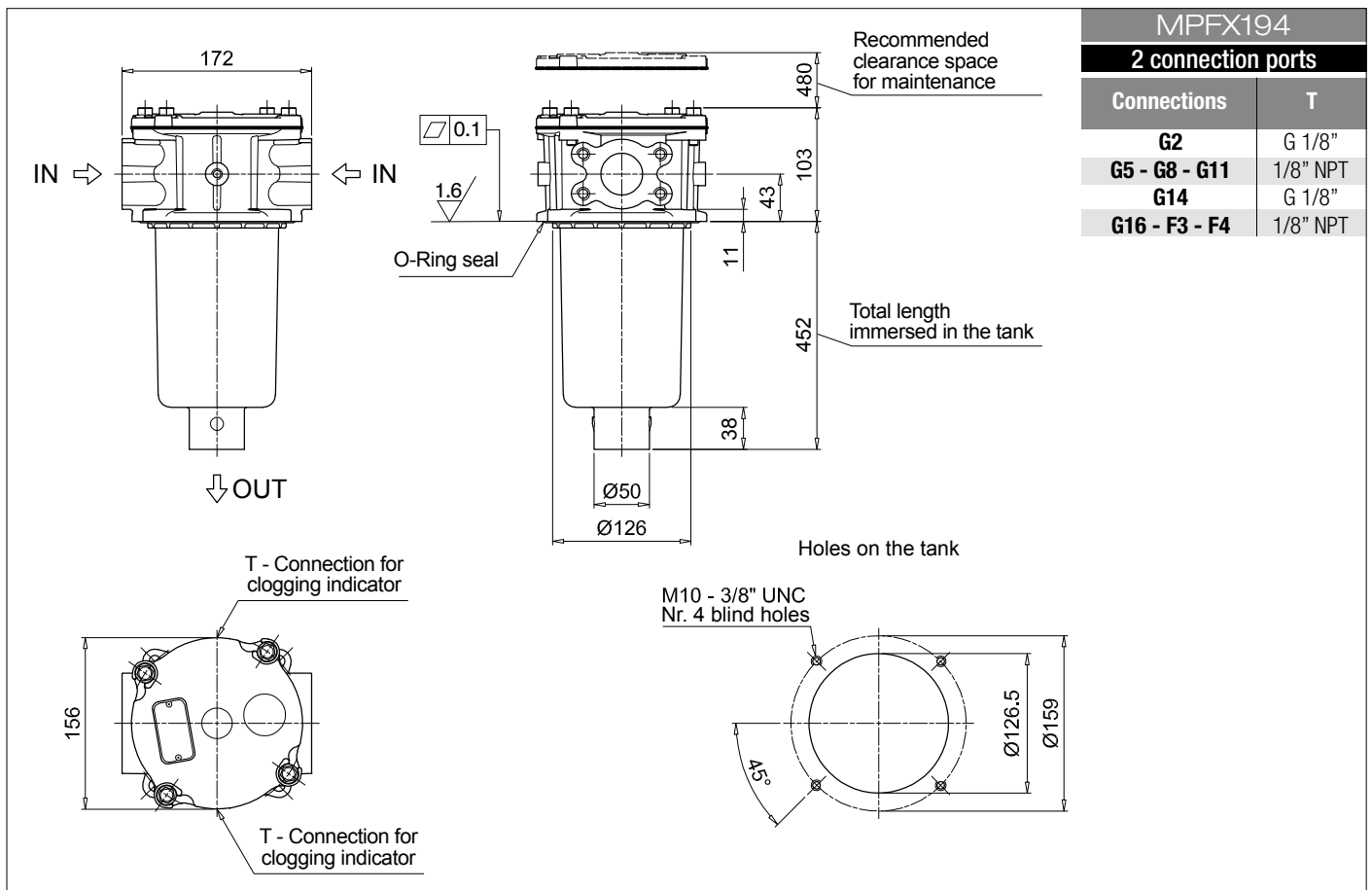
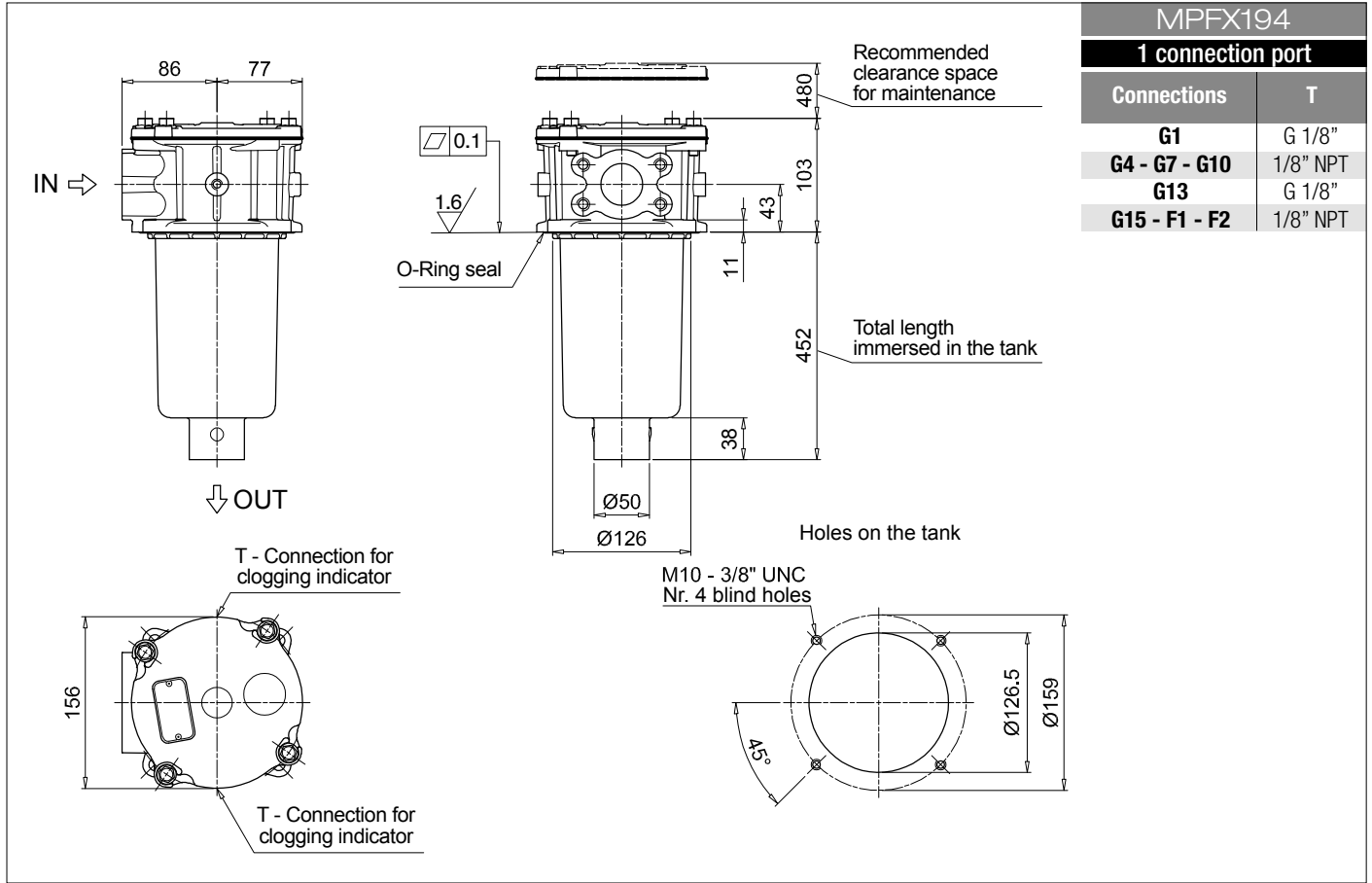
See page 268

TE Extension tube	
T5 Filler plug M30x1.5	



MPFX MPFX184 - MPFX194

Dimensions



MPFX MPFX400

Designation & Ordering code

COMPLETE FILTER

Series and size MPFX400 Filter featuring MYCLEAN Filter Element	Configuration example 1: MPFX400 1 A G9 A25 H B P01
	Configuration example 2: MPFX400 2 V G4 P10 N E P01
Length 1 2 3	
Seals and treatments A NBR V FPM W NBR head anodized Z FPM head anodized	
Connections G1 G 1 1/4" G6 2" NPT G2 G 1 1/2" G7 SAE 20 - 1 5/8" - 12 UN G3 G 2" G8 SAE 24 - 1 7/8" - 12 UN G4 1 1/4" NPT G9 SAE 32 - 2 1/2" - 12 UN G5 1 1/2" NPT	
Filtration rating (filter media) A03 Inorganic microfiber 3 µm M25 Wire mesh 25 µm A06 Inorganic microfiber 6 µm M60 Wire mesh 60 µm A10 Inorganic microfiber 10 µm M90 Wire mesh 90 µm A16 Inorganic microfiber 16 µm P10 Resin impregnated paper 10 µm A25 Inorganic microfiber 25 µm P25 Resin impregnated paper 25 µm	

Element Δp	Filter media		
	Axx	Mxx	Pxx
N 10 bar	-	•	•
H 10 bar	•	-	-

Bypass valve	Executions	
	Base	zereospark*
E 3 bar	P01	Z01* MP Filtri standard
B 1.75 bar	Pxx	Zxx* Customized

* Not for Mxx filter media

FILTER ELEMENT

Element series and size MFx400 Filter Element with MYCLEAN feature	Configuration example 1: MFx400 1 A25 H B P01
	Configuration example 2: MFx400 2 P10 N V E P01
Element length 1 2 3	
Filtration rating (filter media) A03 Inorganic microfiber 3 µm M25 Wire mesh 25 µm A06 Inorganic microfiber 6 µm M60 Wire mesh 60 µm A10 Inorganic microfiber 10 µm M90 Wire mesh 90 µm A16 Inorganic microfiber 16 µm P10 Resin impregnated paper 10 µm A25 Inorganic microfiber 25 µm P25 Resin impregnated paper 25 µm	

Element Δp	Filter media		
	Axx	Mxx	Pxx
N 10 bar	-	•	•
H 10 bar	•	-	-

Seals	Bypass valve	Executions	
		Base	zereospark*
B NBR	E 3 bar	P01	Z01 MP Filtri standard
V FPM	- 1.75 bar	Pxx	Zxx* Customized

* Not for Mxx filter media

CLOGGING INDICATORS

See page 720-721

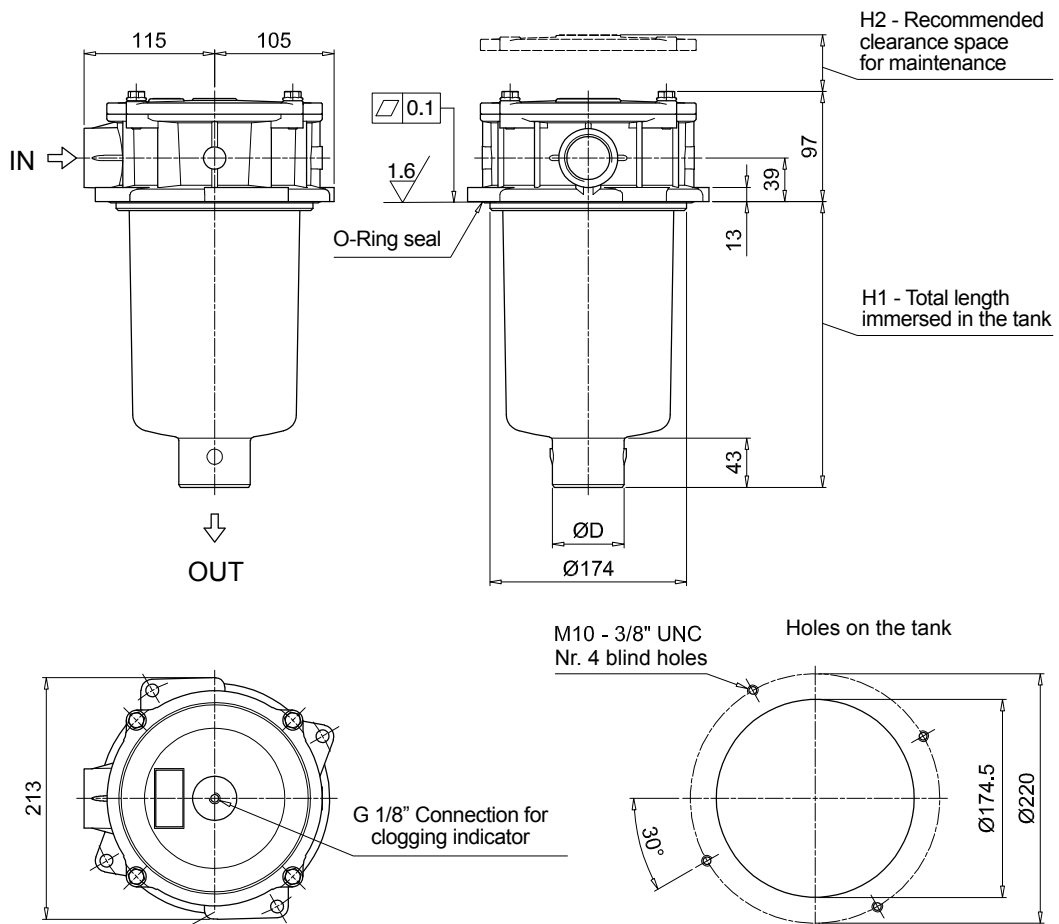
BVA Axial pressure gauge	BEA Electrical pressure indicator
BVR Radial pressure gauge	BEM Electrical pressure indicator
BVP Visual pressure indicator with automatic reset	BLA Electrical / visual pressure indicator
BVQ Visual pressure indicator with manual reset	

ADDITIONAL FEATURES

See page 268

T5 Filler plug M30x1.5

MPFX400			
Filter length	H1 [mm]	H2 [mm]	D [mm]
1	187	210	50
2	252	270	63
3	300	315	63



MPFX MPFX410

Designation & Ordering code

COMPLETE FILTER

Series and size
MPFX410 Filter featuring **MY CLEAN** Filter Element

Configuration example 1: **MPFX410** | 1 | V | G4 | 1 | P10 | N | E | P01
 Configuration example 2: **MPFX410** | 1 | A | G1 | 1 | A25 | H | B | P01

Length
 1 | 2 | 3

Seals and treatments
A NBR
V FPM
W NBR head anodized
Z FPM head anodized

Main Connections	Aux size 1
G1 G 1 1/4"	G 1"
G4 1 1/4" NPT	1" NPT
G7 SAE 20 - 1 5/8" - 12 UN	SAE 16 - 1 5/16" - 12 UN

Aux connection - see previous table
 1 Aux size 1

Filtration rating (filter media)

A03 Inorganic microfiber 3 µm	M25 Wire mesh 25 µm
A06 Inorganic microfiber 6 µm	M60 Wire mesh 60 µm
A10 Inorganic microfiber 10 µm	M90 Wire mesh 90 µm
A16 Inorganic microfiber 16 µm	P10 Resin impregnated paper 10 µm
A25 Inorganic microfiber 25 µm	P25 Resin impregnated paper 25 µm

Element Δp	Filter media		
	Axx	Mxx	Pxx
N 10 bar	-	•	•
H 10 bar	•	-	-

Bypass valve	Executions	
	Base	zereospark*
E 3 bar	P01	Z01* MP Filtri standard
B 1.75 bar	Pxx	Zxx* Customized

* Not for Mxx filter media

FILTER ELEMENT

Element series and size
MFx400 Filter Element with **MY CLEAN** feature

Configuration example 1: **MFx400** | 1 | P10 | N | V | E | P01
 Configuration example 2: **MFx400** | 1 | A25 | H | B | P01

Element length
 1 | 2 | 3

Filtration rating (filter media)

A03 Inorganic microfiber 3 µm	M25 Wire mesh 25 µm
A06 Inorganic microfiber 6 µm	M60 Wire mesh 60 µm
A10 Inorganic microfiber 10 µm	M90 Wire mesh 90 µm
A16 Inorganic microfiber 16 µm	P10 Resin impregnated paper 10 µm
A25 Inorganic microfiber 25 µm	P25 Resin impregnated paper 25 µm

Element Δp	Filter media		
	Axx	Mxx	Pxx
N 10 bar	-	•	•
H 10 bar	•	-	-

Seals	Bypass valve	Executions	
		Base	zereospark*
B NBR	E 3 bar	P01	Z01* MP Filtri standard
V FPM	- 1.75 bar	Pxx	Zxx* Customized

* Not for Mxx filter media

CLOGGING INDICATORS

See page 720-721

BVA Axial pressure gauge
BVR Radial pressure gauge
BVP Visual pressure indicator with automatic reset
BVQ Visual pressure indicator with manual reset

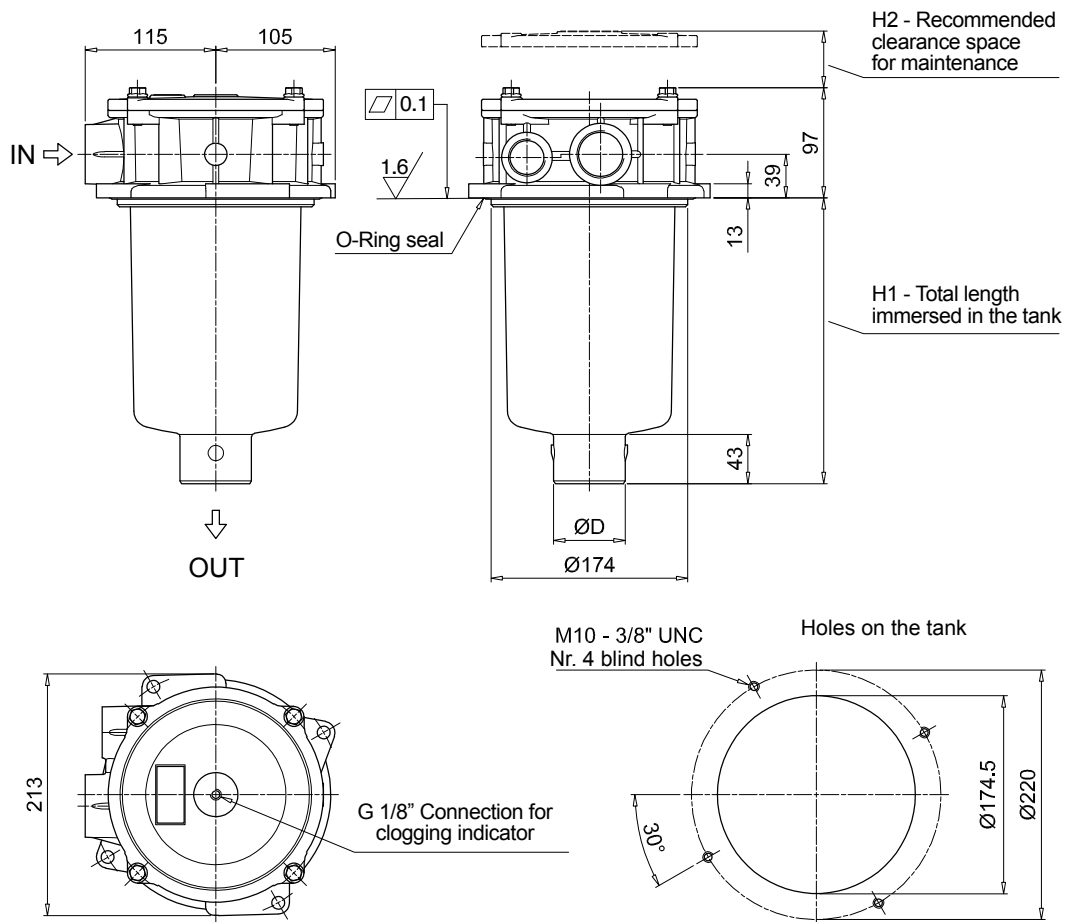
BEA Electrical pressure indicator
BEM Electrical pressure indicator
BLA Electrical / visual pressure indicator

ADDITIONAL FEATURES

See page 268

T5 Filler plug M30x1.5

MPFX410			
Filter length	H1 [mm]	H2 [mm]	D [mm]
1	187	210	50
2	252	270	63
3	300	315	63



MPFX MPFX450 - MPFX451 - MPFX750

Designation & Ordering code

COMPLETE FILTER

Series and size				Configuration example 1: MPFX450 1 A G1 A25 H B P01								
MPFX450 MPFX451 MPFX750				Configuration example 2: MPFX750 1 V F2 P10 N E P01								
Filter featuring MYCLEAN Filter Element												
Length				MPFX 450	MPFX 451	MPFX 750						
1				•	•	•						
2				•	•	-						
3				•	•	-						
Seals and treatments												
A NBR		W NBR head anodized										
V FPM		Z FPM head anodized										
Connections				Aux (only size 451)								
G1 G 2"				G 3/4"								
G4 2" NPT				3/4" NPT								
G7 SAE 32 - 2 1/2" - 12 UN				SAE 12 - 1 1/16" - 12 UN								
F1 2" SAE 3000 psi/M				G 3/4"								
F2 2" SAE 3000 psi/UNC				3/4" NPT								
Filtration rating (filter media)												
A03 Inorganic microfiber 3 µm		M25 Wire mesh 25 µm										
A06 Inorganic microfiber 6 µm		M60 Wire mesh 60 µm										
A10 Inorganic microfiber 10 µm		M90 Wire mesh 90 µm										
A16 Inorganic microfiber 16 µm		P10 Resin impregnated paper 10 µm										
A25 Inorganic microfiber 25 µm		P25 Resin impregnated paper 25 µm										
Element Δp				Filter media			Bypass valve					
N 10 bar				Axx	Mxx	Pxx	E 3 bar		Base zereospark*			
H 10 bar				•	-	-	B 1.75 bar		P01		Z01* MP Filtri standard	
									Pxx		Zxx* Customized	

* Not for Mxx filter media

FILTER ELEMENT

Element series and size				Configuration example 1: MFx400 1 A25 H B P01								
MFx400 MFx750				Configuration example 2: MFx750 1 P10 N V E P01								
Filter Element with MYCLEAN feature												
Element length				MPFX 450	MPFX 451	MPFX 750						
1				•	•	•						
2				•	•	-						
3				•	•	-						
Filtration rating (filter media)												
A03 Inorganic microfiber 3 µm		M25 Wire mesh 25 µm										
A06 Inorganic microfiber 6 µm		M60 Wire mesh 60 µm										
A10 Inorganic microfiber 10 µm		M90 Wire mesh 90 µm										
A16 Inorganic microfiber 16 µm		P10 Resin impregnated paper 10 µm										
A25 Inorganic microfiber 25 µm		P25 Resin impregnated paper 25 µm										
Element Δp				Filter media			Seals					
N 10 bar				Axx	Mxx	Pxx	B NBR		Base zereospark*			
H 10 bar				•	-	-	V FPM		P01		Z01* MP Filtri standard	
							E 3 bar		Pxx		Zxx* Customized	
							- 1.75 bar					

* Not for Mxx filter media

CLOGGING INDICATORS

See page 720-721

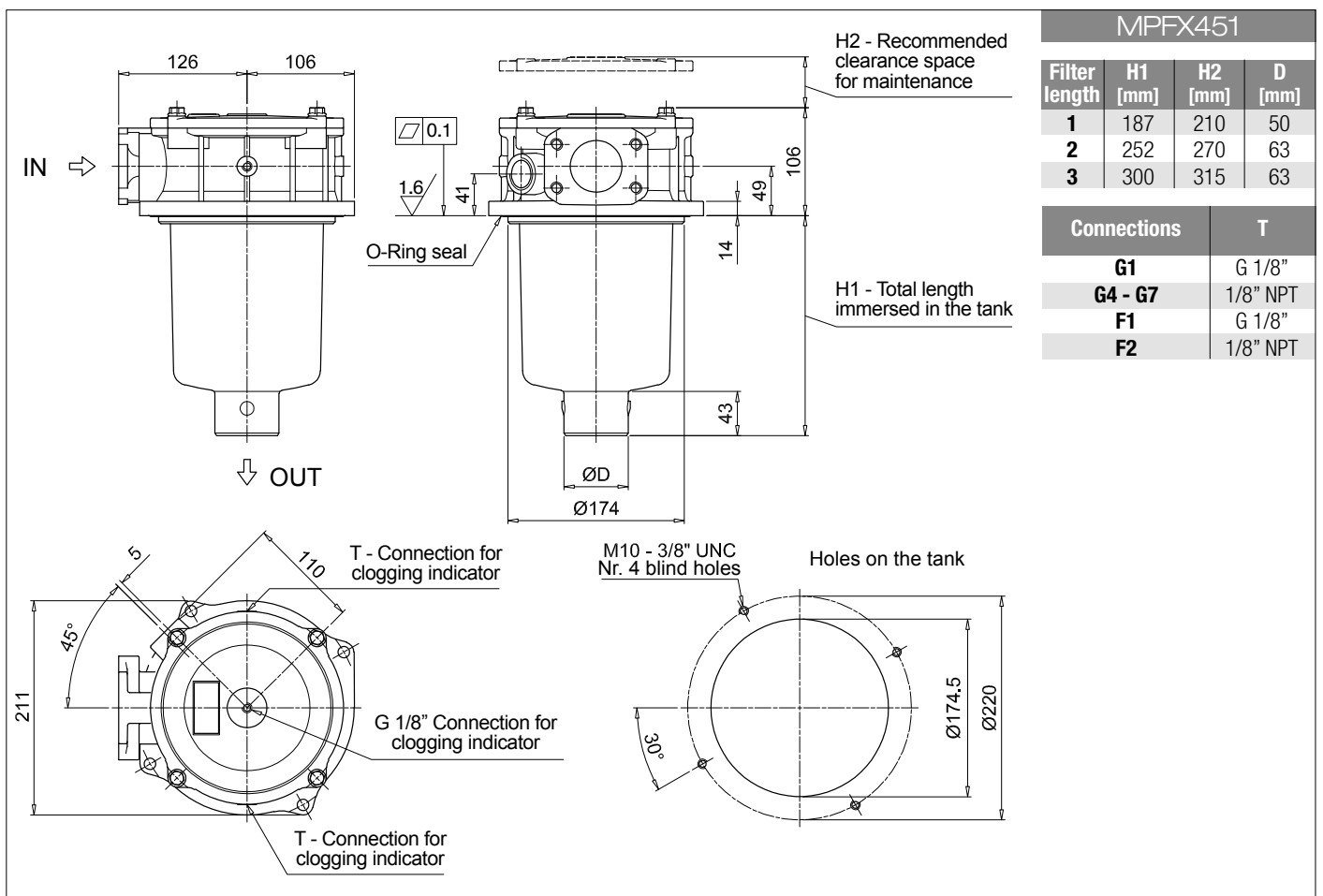
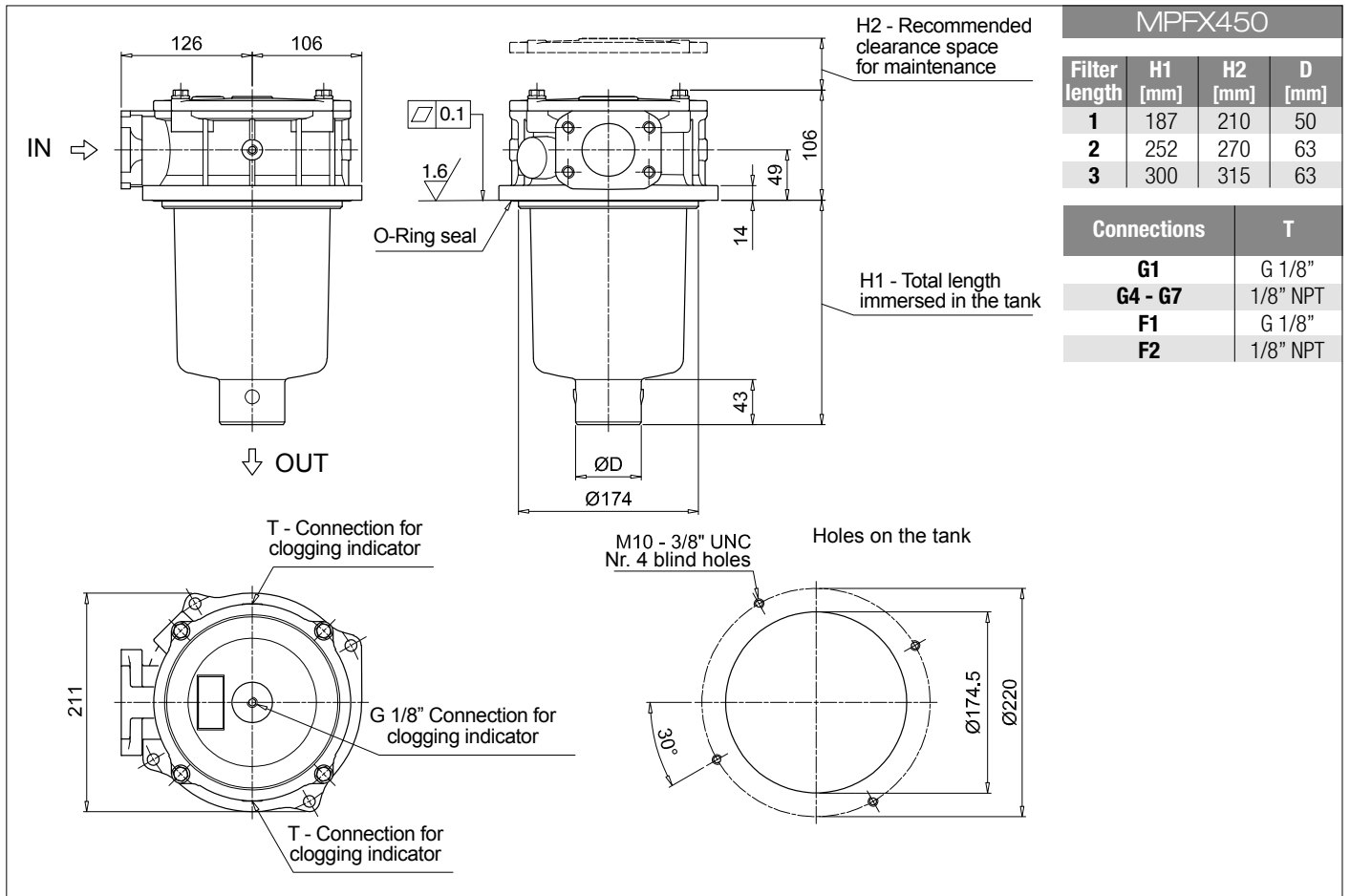
BVA Axial pressure gauge	
BVR Radial pressure gauge	
BVP Visual pressure indicator with automatic reset	
BVQ Visual pressure indicator with manual reset	

BEA Electrical pressure indicator	
BEM Electrical pressure indicator	
BLA Electrical / visual pressure indicator	

ADDITIONAL FEATURES

See page 268

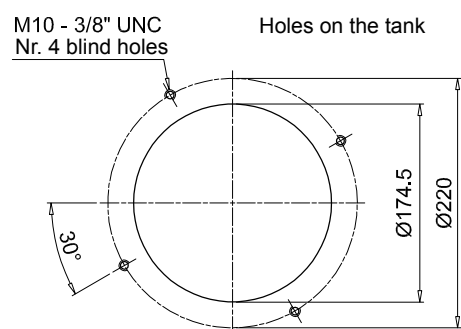
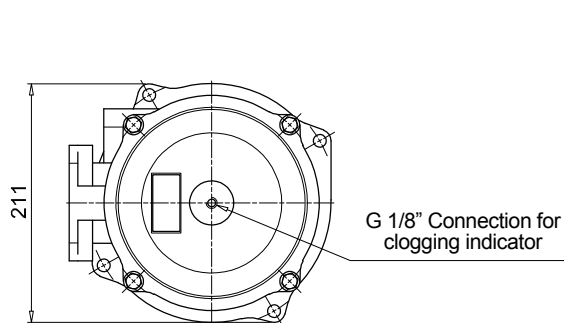
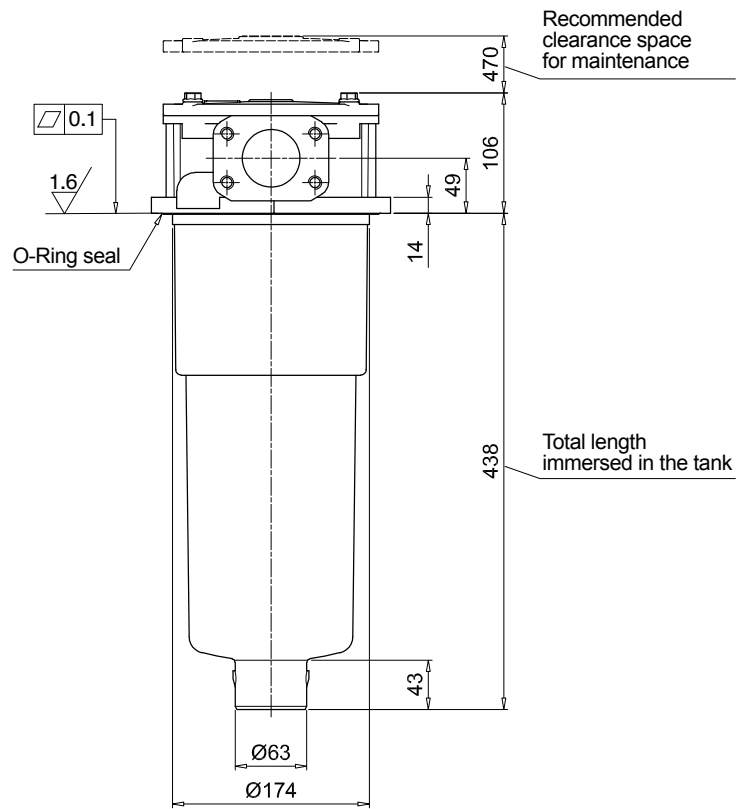
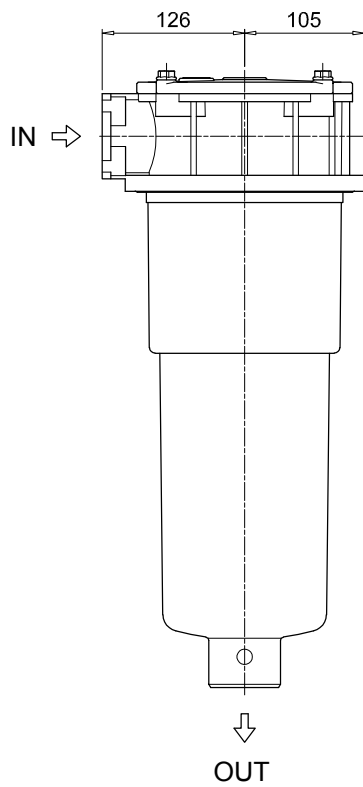
T5 Filler plug M30x1.5	
-------------------------------	--



MPFX MPFX450 - MPFX451 - MPFX750

Dimensions

MPFX750



MPFX 100

MPFX 181

O-RING SEAL

	Q.ty: 1 pc.	Q.ty: 1 pc.	
Item:	2	3 (3a ÷ 3d)	
Filter series	Filter element	Seal Kit code number	
		NBR	FPM
MPFX 030	See order table	02050675	02050676
MPFX 100-110		02050677	02050678
MPFX 181-182		02050681	02050682
MPFX 184		02050685	02050686
MPFX 191-192		02050683	02050684
MPFX 194		02050687	02050688
MPFX 400-410		02050695	02050696
MPFX 450-451		02050697	02050698
MPFX 750		02050699	02050700

MPFX 104

MPFX 181

FLAT SEAL

	Q.ty: 1 pc.	Q.ty: 1 pc.	
Item:	2	3 (3a ÷ 3d)	
Filter series	Filter element	Seal Kit code number	
		NBR	FPM
MPFX 104	See order table	02050679	02050680
MPFX 181-182		02050691	02050692
MPFX 191-192		02050691	02050692

Designation & Ordering code

BAROMETRIC (PRESSURE) INDICATORS

Series	Configuration example 1: BE A 15 H A 41 P01 EX									
BE Electrical pressure indicator	Configuration example 2: BL A 20 H A 71 P01									
BL Electrical/Visual pressure indicator	Configuration example 3: BV R 14 P01									
BV Visual pressure indicator	Configuration example 4: BV P 20 H P01									
Type	BE	BL	BV							
A Standard type	•	•	A Axial connection pressure gauge							
M With wired electrical connection	•	-	R Radial connection pressure gauge							
T With thermal switch	•	-	P Visual indicator with automatic reset							
			Q Visual indicator with manual reset							
Pressure setting	BEA-BEM	BET	BLA	BVA-BVR	BVP-BVQ					
14 1.4 bar	-	-	-	•	-					
15 1.5 bar	•	-	•	-	•					
20 2.0 bar	•	•	•	-	•					
25 2.5 bar	-	•	-	•	-					
Seals	BE	BLA	BVA-BVR	BVP-BVQ						
H HNBR	•	•	-	•						
Thermostat	BEA-BEM	BET	BLA							
A Without thermostat	•	-	•							
F With thermostat	-	•	-							
Electrical connections	BEA	BEM	BET	BL						
10 Connection AMP Superseal series 1,5	-	-	•	-						
30 Connection Deutsch DT-04-2-P	-	-	•	-						
41 Connection via four-core cable	-	•	-	-						
50 Connection EN 175301-803	•	-	-	-						
51 Connection EN 175301-803, transparent base with lamps 24 Vdc	-	-	-	•						
52 Connection EN 175301-803, transparent base with lamps 110 Vdc	-	-	-	•						
53 Connection EN 175301-803, transparent base with lamps 230 Vac	-	-	-	•						
71 Connection IEC 61076-2-101 D (M12), black base with lamps 24 Vdc	-	-	-	•						
Option										
P01 MP Filtri standard										
Pxx Customized										
Certifications	BEA	BEM-BET	BL	BV						
Without	•	•	•	•						
EX ATEX certification	•	-	-	-						
UL UL certification	•	-	-	-						

DIFFERENTIAL PRESSURE INDICATORS

Series
DE Electrical differential pressure indicator
DL Electrical/Visual differential pressure indicator
DT Electrical differential pressure indicator
DV Visual differential pressure indicator

Configuration example 1:	DE	M	20	H	F	50	P01	
Configuration example 2:	DE	U	50	V	A	50	P01	UL
Configuration example 3:	DL	E	20	V	A	71	P01	
Configuration example 4:	DT	A	20	H	F	70	P01	
Configuration example 5:	DV	M	20	V			P01	

Type	DE	DL	DT
A Standard type	•	•	•
M With wired electrical connection	•	-	-
U Standard type 210 bar, UL certified	•	-	-
E For high power supply	-	•	-
S Compact version	•	-	-

DV
A With automatic reset
M With manual reset
S With automatic reset

Pressure setting	DEA	DEM	DEU	DES	DL	DT	DVA	DVM	DVS
12 1.2 bar	-	-	-	•	-	-	-	-	•
20 2.0 bar	•	•	•	-	•	•	•	•	-
25 2.5 bar	-	-	-	•	-	-	-	-	•

Seals	DEA	DEM	DEU	DES	DL	DT	DVA	DVM	DVS
H HNBR	•	•	-	•	•	•	•	•	•
V FPM	•	•	•	-	•	•	•	•	-

Thermostat	DEA	DEM	DEU	DES	DLA	DLE	DT
A Without thermostat	•	•	•	•	•	•	-
F With thermostat	-	•	-	-	-	•	•

Electrical connections	DEA	DEM	DEU	DES	DLA	DLE	DT
10 Connection AMP Superseal series 1.5	-	•	-	•	-	-	-
20 Connection AMP Timer Junior	-	•	-	-	-	-	-
30 Connection Deutsch DT-04-2-P	-	•	-	•	-	-	-
35 Connection Deutsch DT-04-3-P	-	•	-	-	-	-	-
50 Connection EN 175301-803	•	-	•	-	-	•	-
51 Connection EN 175301-803, transparent base with lamps 24 Vdc	-	-	-	-	•	-	-
52 Connection EN 175301-803, transparent base with lamps 110 Vdc	-	-	-	-	•	-	-
70 Connection IEC 61076-2-101 D (M12)	-	-	-	-	-	-	•
71 Connection IEC 61076-2-101 D (M12), black base with lamps 24 Vdc	-	-	-	-	•	-	-
80 Connection Stud #10-32 UNF	-	-	-	•	-	-	-

Option
P01 MP Filtri standard
Pxx Customized

Certifications	DEU	OTHERS
Without	-	•
UL UL certification	•	-

PLUGS

Series
T2 Plug
T4 Plug

Configuration example	T2	H
-----------------------	----	---

Seals	T2	T4
A NBR	-	•
H HNBR	•	-
V FPM	•	-