



PRODUCT RANGE

PASSION TO PERFORM

PASSION CREATES

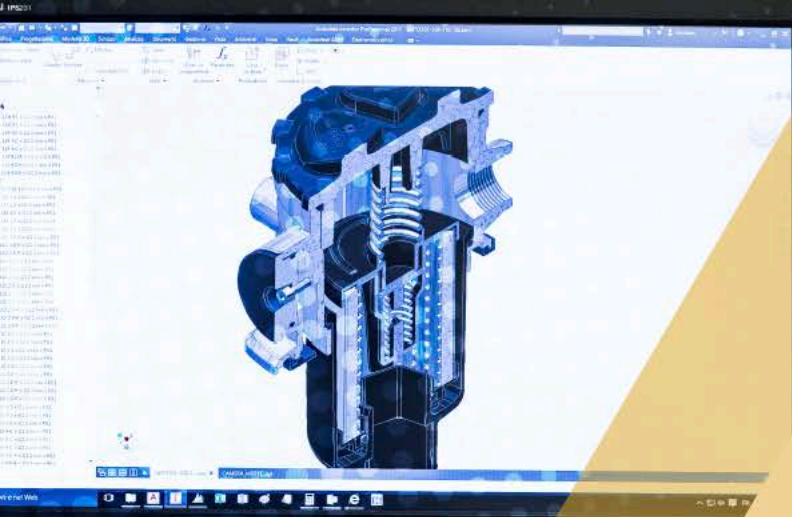
OUR HISTORY

From over **50** years MP Filtri is an Italian multinational company specialized in the hydraulic sector, founded by Bruno Pasotto.

Most of the production is carried out in Italy. It currently has **8** trading and operational subsidiaries in Germany, France, United Kingdom, the United States, Canada, Russia, India and China and a global network of retailers and distributors in over **100 countries**.

Over **400** highly qualified people are employed across the world. There are three production facilities in Italy and one in United Kingdom. Production is intended **20% for the Italian market** and the remaining **80% for the international market**.





CONSTANT RESEARCH

CONTINUOUS DEVELOPMENT

MP Filtri is a compact group which is still flexible. Since it was founded, MP Filtri has paid almost obsessive attention to the **research and development of cutting-edge technological solutions.**

Its research and development laboratory is considered one of the best in Europe.

The sectors that MP Filtri's products are aimed at range from industrial to mobile operating machines, i.e. earthmoving machinery, wind turbine generators and plastics machinery made by the most high-standing global manufacturers.

OUR VALUES

Integration, maximum Flexibility and attention in creating solutions with added value for the Customer, the highest Competency level and Passion for innovation, constitute, from the beginning, the distinctive heritage of MP Filtri, fully shared by the entire organization.

VISION

The essence of MP Filtri is embodied in its claim "Passion to perform": an entrepreneurial business which continuously strives towards excellence, where the ability to innovate, while remaining loyal to its own identity, represents the strategic asset of the Company.

MISSION

Establishing itself as the best partner in the world in the design and production of complete solutions offering a superior operating continuity of hydraulic systems.

HYDRAULIC FILTRATION PRODUCT RANGE



SUCTION FILTERS AND STRAINERS STR - MPA - MPM - SF2 - SFEX

FLOW RATES max 875 l/min 231 gpm

Suction filters and Strainers protect pumps from contamination, while also providing additional flow diffusion in the suction line.



RETURN FILTERS

MPFX - MPLX - MPTX - MFBX - RFEX - MPH - MPI - FRI - RF2

FLOW RATES max 3000 l/min 793 gpm - **PRESSURE** max 20 bar 290 psi

Return filters perform the task of filtering fluid and preventing particles from entering the system externally or from internal wear and tear of components as per ISO 4406.



RETURN/SUCTION FILTERS MRSX - LMP 124 MULTIPORT

FLOW RATES max 300 l/min 79 gpm - **PRESSURE** max 80 bar 1160 psi

Hydraulic combined filters for installation on the return and suction lines of hydrostatic transmissions (HSTs) for commercial vehicles, construction machinery, agricultural vehicles, and mobile work equipment with hydrostatic drive.



SPIN-ON FILTERS MPS - MSH

FLOW RATES max 365 l/min 96 gpm - **PRESSURE** max 35 bar 508 psi

Spin-On filters are used as process and safety filters to protect individual pumps, valves or the entire hydraulic circuit from contamination as per ISO 4406.



LOW & MEDIUM PRESSURE FILTERS

LFEX - LMP 110/120/123 MULTIPORT - LMP - LMD - LDP - LDD

FLOW RATES max 3000 l/min 793 gpm - **PRESSURE** max 80 bar 1160 PSI

Low and medium pressure filters are used as process filters to protect pumps, pressure reducers and the most sensitive hydraulic system components from contamination as per ISO 4406.



HIGH PRESSURE FILTERS

FMP - FHP - FMM - FHA - FHD - FHM - FHB - FHF

FLOW RATES max 750 l/min 198 gpm - **PRESSURE** max 560 bar 8122 PSI

High pressure filters are designed to withstand the maximum pressure of the system and are sized according to the specific flow rate required. They offer exceptional protection to sensitive components downstream of the filters as per ISO 4406.



STAINLESS STEEL FILTERS

FZP - FZH - FZX - FZD - FZM - FZB

FLOW RATES max 150 l/min 40 gpm - **PRESSURE** max 1000 bar 14504 PSI

Stainless steel construction ensures peak protection when operating in corrosive environments or aggressive fluids. High pressure stainless steel filters are used to protect individual valves or the entire hydraulic circuit from contamination, as per ISO 4406.



CLOGGING INDICATORS

Maximum filter element Dirt Holding Capacity and life are achieved with the use of clogging indicators. These devices signal when the clogging of the filter element causes an increase in pressure drop across the filter element.

CONTAMINATION CONTROL SOLUTIONS



LPA3 - LPA2 - CML2

Portable solutions to automatically measure and display particulate contamination, moisture and temperature levels in various hydraulic fluids.

ICM2.0 - AZ2 - ICU - ACMU

A complete range of products to count particles, designed specifically to be mounted directly to systems, where ongoing measurement or analysis are required.



BS110 & BS500 - VPAF100

Kit for fluid sampling and the visual analysis of solid contaminants. The bottle samplers are suitable for our portable devices.

UFM - FTU

FLOW RATES max 180 l/min 48 gpm

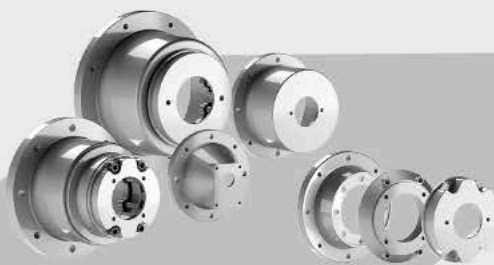
The mobile transfer and filtration units are the perfect solution for the oil maintenance of lubrication and hydraulic fluids in off-line filtration applications.

POWER TRANSMISSION PRODUCT RANGE

BELL-HOUSING

LMG - LMC - LDC - LMS - LDS - MULTI COMPONENTS

Bell-Housing are used as connecting elements between IEC electric motors and a wide range of hydraulic pumps available on the international market.



COUPLINGS

SGEA - SGEG - SGES - EGE - SGDR - EGR

Drive couplings provide the means by which power is transmitted from the electric motor to the hydraulic pump.



ACCESSORIES

PDMA - ANMA - MPDR - CLEANING COVERS

Our accessories line complete the range adding value and features to the motor pump unit. It is made by Foot brackets - PDMA, Damping rings ANMA and Damping rods - MPDR, Cleaning covers.



TANK ACCESSORIES

- STRAINERS
- AIR BREATHERS AND FILLER PLUGS
- FILLER AND DRAINER PLUGS
- VISUAL OIL LEVEL INDICATORS
- ELECTRICAL OIL LEVEL INDICATORS
- ACCESSORIES





DISCOVER MORE AT
www.mpfiltri.com

HEADQUARTERS:

MP Filtri S.p.A.

Pessano con Bornago, Milano - Italy

+39 02 957031 - sales@mpfiltri.it

BRANCH OFFICES:

ITALFILTRI LLC

Moscow - Russia

+7 (495) 220 94 60

mpfiltrirussia@yahoo.com

MP Filtri Canada Inc.

Concord, Ontario - Canada

+1 905 303 1369

sales@mpfiltricanada.com

MP Filtri France SAS

Villeneuve la Garenne

Paris - France

+33 (0)1 40 86 47 00

sales@mpfiltrifrance.com

MP Filtri Germany GmbH

St. Ingbert - Germany

+49 (0) 6894 95652-0

sales@mpfiltri.de

MP Filtri India Pvt. Ltd.

Bangalore - India

+91 80 4147 7444 / +91 80 4146 1444

sales@mpfiltri.co.in

MP Filtri (Shanghai) Co., Ltd

Room 501, Building 1, No 555 Wanfang Road,
Minhang District, Shanghai 201114 P.R. China

+86 21 58919916 116

sales@mpfiltrishanghai.com

MP Filtri U.K. Ltd.

Bourton on the Water

Gloucestershire - United Kingdom

+44 (0) 1451 822 522

sales@mpfiltri.co.uk

MP Filtri U.S.A. Inc.

Quakertown, PA - U.S.A.

+1 215 529 1300

sales@mpfiltriusa.com